



triton *Dual Mode Precision Plunge Router*

2400W

TRA001

GB Operating and Safety Instructions

NL Bedienings- en
veiligheidsvoorschriften

FR Instructions d'utilisation
et consignes de sécurité

DE Gebrauchs- und
Sicherheitsanweisung

IT Istruzioni per l'uso
e la sicurezza

ES Instrucciones de
uso y de seguridad

PT Instruções de
Operação e Segurança

PL Instrukcja obsługi
i bezpieczeństwa

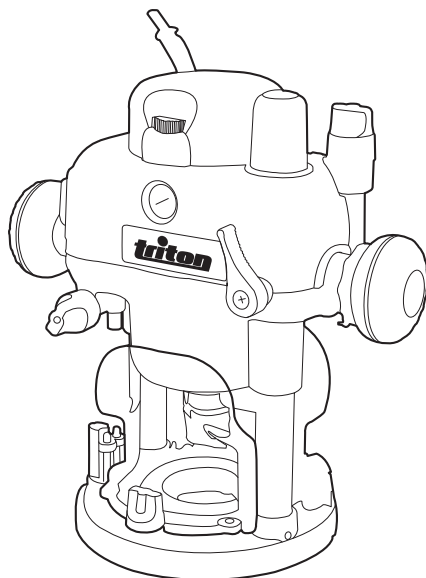
RU Инструкции по эксплуатации и
правила техники безопасности

HU Kezelési és
biztonsági utasítások

CZ Provozní a
bezpečnostní pokyny

SK Prevádzkové a
bezpečnostné pokyny

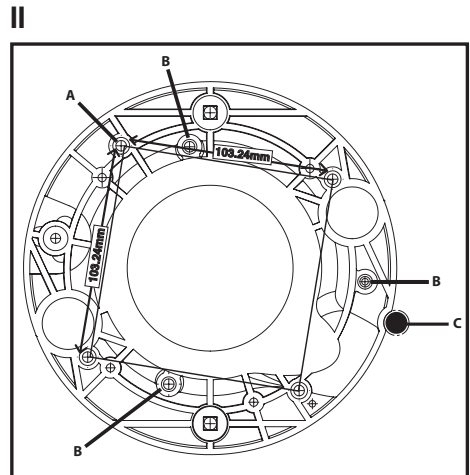
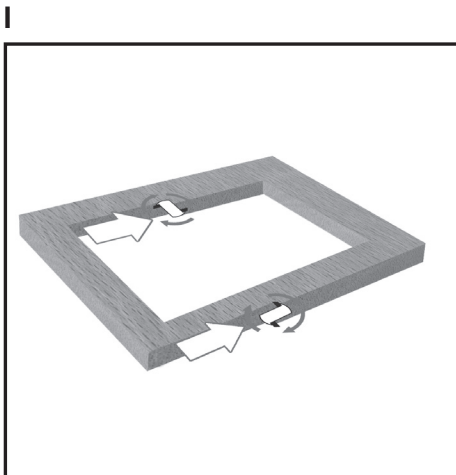
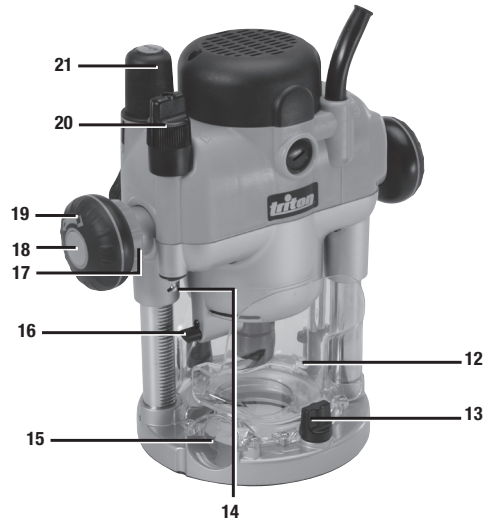
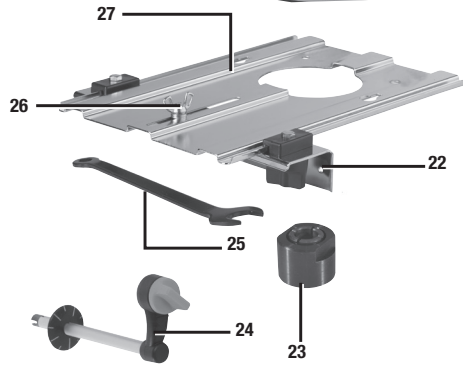
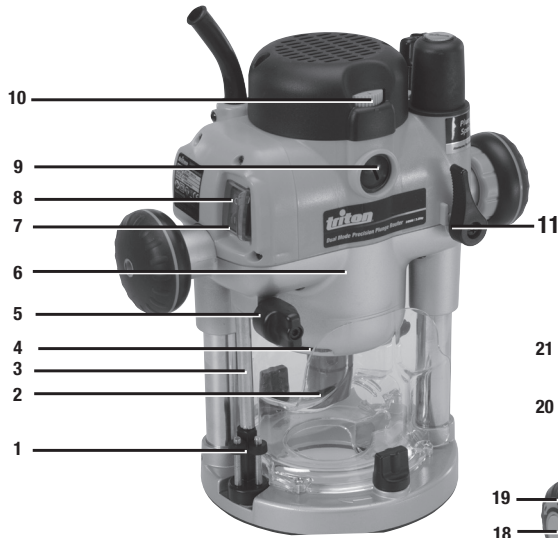
TR Çalışma ve
Güvenlik Talimatları

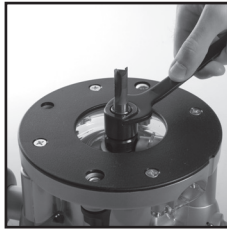
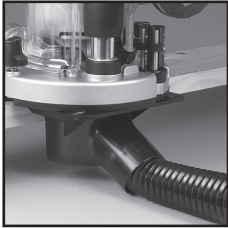
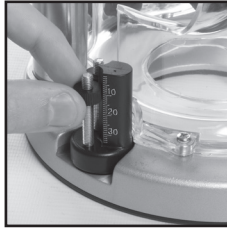
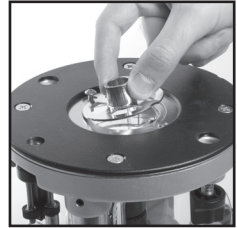
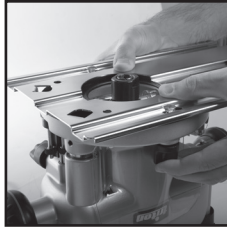
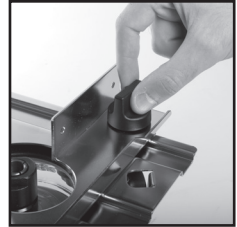
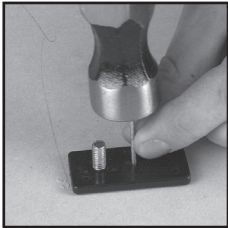
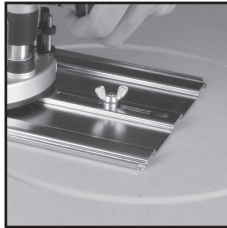
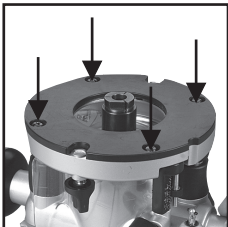


Version date: 02.02.16

tritoneertools.com





A**B****C****D****E****F****G****H****I****J****K****L****M****N****O****P****Q**

Original Instructions

Introduction

Thank you for purchasing this Triton tool. Please read these instructions: they contain information necessary for safe and effective operation of this product. This product has a number of unique features and even if you are familiar with similar products, reading the instructions will help you get the full benefit of its unique design. Keep these instructions close to hand and ensure all users of this tool have read and fully understand them.

Description of Symbols

The rating plate on your tool may show symbols. These represent important information about the product or instructions on its use.



Wear hearing protection
Wear eye protection
Wear breathing protection
Wear head protection



Wear hand protection



Read instruction manual



Caution



Warning: Sharp blades or teeth!



DO NOT use in rain or damp environments!



Always disconnect from the power supply when adjusting, changing accessories, cleaning, carrying out maintenance and when not in use!



Dust extraction required or recommended



Class II construction (double insulated for additional protection)



Environmental Protection. Waste electrical products should not be disposed of with household waste. Please recycle where facilities exist. Check with your local authority or retailer for recycling advice.



Conforms to relevant legislation and safety standards.

Specification

Model no:	TRA001
Voltage:	220 - 240V - 50Hz, 9.1A
Input Power:	2400W
No-load speed:	8,000 - 21,000min ⁻¹
Collet:	½" & 12mm
Maximum cutter diameter:	55mm (50mm when used with WX7RT001)
Maximum collet size:	½" (imperial), 12mm (metric)
Height adjustment:	1) Free Plunge 2) Table Height Winder 3) Micro Adjuster (Fine Adjustment)
Plunge Range:	0-68mm
Ingress protection:	IP20
Protection class:	□
Power cord length:	3m
Dimensions (L x W x H):	180 x 300 x 310mm
Weight:	6.3kg
As part of our ongoing product development, specifications of Triton products may alter without notice.	
Sound and vibration information:	
Sound pressure (L_{pa}):	85.5dB(A)
Sound power (L_{wa}):	96.5dB(A)
Uncertainty K:	3dB
Weighted Vibration a_w:	4.795m/s ²
Uncertainty K:	1.5m/s ²
The sound intensity level for the operator may exceed 85dB(A) and sound protection measures are necessary.	

WARNING: Always wear ear protection where the sound level exceeds 85dB(A) and limit the time of exposure if necessary. If sound levels are uncomfortable, even with ear protection, stop using the tool immediately and check the ear protection is correctly fitted and provides the correct level of sound attenuation for the level of sound produced by your tool.

WARNING: User exposure to tool vibration can result in loss of sense of touch, numbness, tingling and reduced ability to grip. Long-term exposure can lead to a chronic condition. If necessary, limit the length of time exposed to vibration and use anti-vibration gloves. Do not operate the tool with hands below a normal comfortable temperature, as vibration will have a greater effect. Use the figures provided in the specification relating to vibration to calculate the duration and frequency of operating the tool.

Sound and vibration levels in the specification are determined according to EN60745 or similar international standards. The figures represent normal use for the tool in normal working conditions. A poorly maintained, incorrectly assembled, or misused tool, may produce increased levels of noise and vibration. www.osha.europa.eu provides information on sound and vibration levels in the workplace that may be useful to domestic users who use tools for long periods of time.

General Safety

WARNING Read all safety warnings and all instructions. Failure to follow the warnings and instructions may result in electric shock, fire and/or serious injury.

WARNING: This appliance is not intended for use by persons (including children) with reduced, physical or mental capabilities or lack of experience or knowledge unless they have been given supervision or instruction concerning use of the appliance by a person responsible for their safety. Children must be supervised to ensure that they do not play with the appliance. Save all warnings and instructions for future reference.

The term "power tool" in the warnings refers to your mains-operated (corded) power tool or battery-operated (cordless) power tool.

1) Work area safety

- a) **Keep work area clean and well lit.** Cluttered or dark areas invite accidents.
- b) **Do not operate power tools in explosive atmospheres, such as in the presence of flammable liquids, gases or dust.** Power tools create sparks which may ignite the dust or fumes.
- c) **Keep children and bystanders away while operating a power tool.** Distractions can cause you to lose control.

2) Electrical safety

- a) **Power tool plugs must match the outlet. Never modify the plug in any way. Do not use any adapter plugs with earthed (grounded) power tools.** Unmodified plugs and matching outlets will reduce risk of electric shock.
- b) **Avoid body contact with earthed or grounded surfaces, such as pipes, radiators, ranges and refrigerators.** There is an increased risk of electric shock if your body is earthed or grounded.
- c) **Do not expose power tools to rain or wet conditions.** Water entering a power tool will increase the risk of electric shock.
- d) **Do not abuse the cord. Never use the cord for carrying, pulling or unplugging the power tool. Keep cord away from heat, oil, sharp edges or moving parts. Damaged or entangled cords increase the risk of electric shock.**
- e) **When operating a power tool outdoors, use an extension cord suitable for outdoor use.** Use of a cord suitable for outdoor use reduces the risk of electric shock.
- f) **If operating a power tool in a damp location is unavoidable, use a residual current device (RCD) protected supply.** Use of an RCD reduces the risk of electric shock.

3) Personal safety

- a) **Stay alert, watch what you are doing and use common sense when operating a power tool. Do not use a power tool while you are tired or under the influence of drugs, alcohol or medication.** A moment of inattention while operating power tools may result in serious personal injury.
- b) **Use personal protective equipment. Always wear eye protection.** Protective equipment such as dust mask, non-skid safety shoes, hard hat, or hearing protection used for appropriate conditions will reduce personal injuries.
- c) **Prevent unintentional starting. Ensure the switch is in the off-position before connecting to power source and/or battery pack, picking up or carrying the tool. Carrying power tools with your finger on the switch or energising power tools that have the switch on invites accidents.**
- d) **Remove any adjusting key or wrench before turning the power tool on.** A wrench or a key left attached to a rotating part of the power tool may result in personal injury.
- e) **Do not overreach. Keep proper footing and balance at all times.** This enables better control of the power tool in unexpected situations.
- f) **Dress properly. Do not wear loose clothing or jewellery. Keep your hair, clothing and gloves away from moving parts. Loose clothes, jewellery or long hair can be caught in moving parts.**
- g) **If devices are provided for the connection of dust extraction and collection facilities, ensure these are connected and properly used.** Use of dust collection can reduce dust-related hazards.

4) Power tool use and care

- a) **Do not force the power tool. Use the correct power tool for your application.** The correct power tool will do the job better and safer at the rate for which it was designed.
- b) **Do not use the power tool if the switch does not turn it on and off.** Any power tool that cannot be controlled with the switch is dangerous and must be repaired.
- c) **Disconnect the plug from the power source and/or the battery pack from the power tool before making any adjustments, changing accessories, or storing power tools.** Such preventive safety measures reduce the risk of starting the power tool accidentally.
- d) **Store idle power tools out of the reach of children and do not allow persons unfamiliar with the power tool or these instructions to operate the power tool.** Power tools are dangerous in the hands of untrained users.
- e) **Maintain power tools. Check for misalignment or binding of moving parts, breakage of parts and any other condition that may affect the power tool's operation. If damaged, have the power tool repaired before use.** Many accidents are caused by poorly maintained power tools.
- f) **Keep cutting tools sharp and clean.** Properly maintained cutting tools with sharp cutting edges are less likely to bind and are easier to control.
- g) **Use the power tool, accessories and tool bits etc. in accordance with these instructions, taking into account the working conditions and the work to be performed.** Use of the power tool for operations different from those intended could result in a hazardous situation.

5) Service

- a) **Have your power tool serviced by a qualified repair person using only identical replacement parts.** This will ensure that the safety of the power tool is maintained.

Additional Safety for Routers



- **Hold the power tool by insulated gripping surfaces only, because the cutter may contact its own cord.** Cutting a "live" wire may make exposed metal parts of the power tool "live" and could give the operator an electric shock.

- **Use clamps or another practical way to secure and support the workpiece to a stable platform.** Holding the work by your hand or against the body leaves it unstable and may lead to loss of control.
- **If the replacement of the supply cord is necessary, this has to be done by the manufacturer or his agent in order to avoid a safety hazard.**
- **It is strongly recommended that the tool always be supplied via a residual current device with a rated residual current of 30 mA or less.**
- a) **Use safety equipment including safety goggles or shield, ear protection, dust mask and protective clothing including safety gloves**
- b) **Cloths, cord, string etc should never be left around the work area**
- c) **Ensure the mains supply voltage is the same as the tool rating plate voltage**
- d) **Ensure any cable extensions used with this tool are in a safe electrical condition, and have the correct ampere rating for the tool**
- e) **Completely unwind cable drum extensions to avoid potential overheating**
- f) **Use appropriate detectors to determine if utility cables or pipes are below the surface of the work area.** Consult utility companies for assistance if necessary. Contact with electric cables can lead to electric shock and fire. Damaging a gas pipe can lead to explosion. Contact with water lines can lead to major property damage
- g) **Ensure embedded objects such as nails and screws have been removed from the workpiece before commencing operation**
- h) **Handle router bits with care as they can be extremely sharp**
- i) **Before use, check the bit carefully for signs of damage or cracks. Replace damaged or cracked bits immediately**
- j) **Ensure router cutters/bits are sharp and maintained correctly.** Dull cutting edges can lead to uncontrolled situations including stalling, increased heat and possible injury
- k) **ALWAYS use both handles and maintain a firm grip on the router before proceeding with any work**
- l) **Keep handles and gripping surfaces dry, clean and free of oil and grease to ensure the tool can be securely held in use**
- m) **Before using the tool to make a cut, switch on and let it run for a while.** Vibration could indicate an improperly installed bit
- n) **Take notice of the direction of rotation of the bit and the direction of feed**
- o) **Keep your hands away from the routing area and router bit cutter.** Hold the auxiliary handle or an insulated gripping surface with your second hand
- p) **NEVER start the router while the cutter is touching the workpiece**
- q) **Ensure the plunge spring is always fitted when using hand-held**
- r) **Ensure the cutter has completely stopped before plunging to the collet lock position**
- s) **The maximum speed of the router bit/cutter must be at least as high as the maximum speed of the power tool**
- t) **Parts of the router bits may become hot during operation. Do not handle immediately after use to avoid risk of burns**
- u) **Do not allow parts to come into contact with combustible materials**
- v) **The shank size of the router cutter/bit must be matched to the exact same size collet fitted to the router.** Incorrectly fitted router cutter/bits will rotate irregularly and have increased vibration that could lead to loss of control
- w) **DO NOT press the spindle lock button, or attempt to switch the tool into bit change mode while the router is operating**
- x) **Keep pressure constant while cutting into the workpiece, allowing the router bit cutter to dictate the speed of cut. DO NOT force the tool and overload the motor**
- y) **Ensure rating labels and safety warnings on the tool remain clear to read and are replaced if marked or damaged**
- z) **When operating the router, be prepared for the router bit cutter stalling in the workpiece and causing loss of control. Always ensure the router is firmly held and the on/off switch is immediately released in such circumstances**
- **After switching on the router, check the router bit is rotating evenly (not 'wobbling') and there is no additional vibration due to the router bit being incorrectly fitted.** Operating the router with an incorrectly fitted router bit can lead to loss of control and severe injury
- **EXTREME care must be taken when using cutters with a diameter greater than 2" (50mm).** Use very slow feed rates and/or multiple shallow cuts to avoid overloading the motor
- **ALWAYS switch off and wait until the bit has come to a complete standstill before removing the machine from the workpiece**
- **Disconnect from the power supply before carrying out any adjustment, servicing or maintenance**

GB

WARNING: Dust generated by using power tools can be toxic. Some materials may be chemically treated or coated and be a toxic hazard. Some natural and composite materials may contain toxic chemicals. Some older paints may contain lead and other chemicals. Avoid prolonged exposure to dust generated from operating a router. DO NOT allow dust to get onto skin or eyes and do not allow the dust to enter your mouth to prevent absorption of harmful chemicals. Where possible, work in a well-ventilated area. Use a suitable dust mask and dust extraction system where possible. Where there is a higher frequency of exposure, it is more critical that all safety precautions are followed and a higher level of personal protection is used.

Product Familiarisation

1. Turret Stops
2. Chuck
3. Depth Stop
4. Side Air Vents
5. Depth Stop Lock Knob
6. Motor
7. Retracting Power Switch Cover
8. On/Off Power Switch
9. Brush Access Covers
10. Speed Controller
11. Plunge Lock Lever
12. Safety Guards
13. Baseplate Mounting Knobs
14. Table Height Winder Connection Point
15. Dust Extraction Port
16. Automatic Spindle Lock
17. Winder Handle Clutch Ring
18. Plunge Selection Button
19. Winder Handle
20. Micro Winder
21. Plunge Spring Access Cap
22. Fence
23. Collet
24. Table Height Winder
25. Spanner
26. Circle Cutting Pivot Mount
27. Extended Baseplate

Figure II

- A. ¼ UNC x4
- B. M6 x3
- C. Table Winder Indent

Intended Use

Hand-held precision plunge router for use with shank router bits up to ½" and 12mm (depending on the collet installed). Used for cutting profiles, grooves, edges and elongated holes in natural and composite wood. Also used with guide bushes and templates for cutting shapes, following patterns, as well as for stationary installation in compatible router table systems.

Unpacking Your Tool

- Carefully unpack and inspect your new plunge router. Familiarise yourself with all its features and functions
- Ensure that all parts of the tool are present and in good condition. If any parts are missing or damaged, have such parts replaced before attempting to use this tool

Before Use

⚠ WARNING: Ensure the tool is disconnected from the power supply before attaching or changing any accessories, or making any adjustments.

Collet and cutter installation

Note: Wear protective gloves when inserting and removing router bits due to the sharp edges of the cutters.

1. Place the router upside down on a secure flat surface, with the motor completely stationary and the power cable removed from the mains
2. Plunge the router to its maximum depth by pressing the Winder Handle Clutch Ring (17)

(Image B) inwards, and turning the Winder Handle (19) clockwise until the Collet (23) is protruding the base

Note: Ensure the Depth Stop (3) is fully retracted (see 'Depth stop and turret'). The Collet should be protruding through the base, allowing easy spanner access.

3. Using the Spanner (25) provided, loosen the Collet by turning it anti-clockwise until removal
4. Select the desired Collet, and install into the Chuck (2) by screwing the Collet in clockwise
5. Insert the router cutter into the Collet ensuring that at least 20mm or half of the shaft (whichever is greater) is inserted into the Collet, then use the Spanner to turn the Collet slightly, allowing the collet lock to engage (Image C). Once engaged, turn the spanner clockwise to tighten the cutter
6. Return the router to a normal operating depth. This will disengage the collet lock and release the retracting switch shutter, enabling access to the On/Off Power Switch (8)

Dust extraction port

Note: The Triton Router is equipped with a Dust Extraction Port (15) for chip extraction above the cut. The Dust Extraction Port accepts 38mm (1½") O.D. hose, supplied with the Triton Dust Collector (DCA300).

- The dust extraction hose screws into position via a left hand thread (anti-clockwise) (Image D)

Optional chip collector accessory

- An optional Dust Chute for effective chip extraction alongside the cut zone is available through your local Triton retailer. It can be connected to any 38mm (1½") O.D. hose (Image E)

Extended baseplate and fence installation

1. Locate the two Baseplate Mounting Knobs (13) and loosen them completely. This permits the mounting studs to engage the router securing holes on the Extended Baseplate (27)
2. Turn both the plunge router and the Extended Baseplate upside down
3. Press the Baseplate Mounting Knobs on the plunge router inwards, to expose the mounting studs
4. Align the mounting studs with the router securing holes on the Extended Baseplate, and slide into the keyhole slots (Image K).

Note: The orientation of the Extended Baseplate depends on where the support is required. For edge work, locate the On/Off Power Switch (8) on the short overhang side of the base

5. Tighten the Baseplate Mounting Knobs on the plunge router firmly to secure the plunge router to the Extended Baseplate
6. To fit the Fence (22) loosen the fence knobs, and slide the Fence along the tracks on the Extended Baseplate (Image L). Lock at the required setting by tightening both fence knobs

Note: When routing trenches at distance from an edge, fit the Fence to the long end of the Extended Baseplate.

Note: When performing edge work with a non-bearing guided cutter, fit the Fence to the short end of the baseplate (Image J)

Note: If using a very large diameter cutter it may be necessary to fix wooden blocks to the fence faces via the screw holes, to ensure the cutter does not contact the Fence.

Operation

⚠ WARNING: ALWAYS wear eye protection, adequate respiratory and hearing protection, as well as suitable gloves, when working with this tool.

Switching on and off

Note: When the router is connected to the power source, the On/Off Power Switch (8) will illuminate in both 'On' and 'Off' positions.

Note: The Retracting Power Switch Cover (7) prevents accidental starting of the router. It must be retracted before the router can be switched on. The Retracting Power Switch Cover will remain open until the router is switched off.

1. Ensure that the plunge router is at the maximum extension of its travel, and that the cutter will not conflict with any foreign objects when it is powered on
2. Connect the power cord to the mains, and slide the Retracting Power Switch Cover back to reveal the On/Off Power Switch
3. Press the On/Off Power Switch in the 'I' position to turn the plunge router ON. Whilst the On/Off Power Switch is in this position, the Retracting Power Switch Cover will be prevented from re-covering the On/Off Power Switch
4. To turn OFF, press the On/Off Power Switch in the 'O' position. The Retracting Power Switch Cover will slide back to its original position

Variable speed control

Note: Router speed settings are not critical. Generally the highest speed that does not cause burn marks on the workpiece should be used. Where stated, always follow the cutter manufacturers' maximum speed limitations.

- Operating at reduced speed increases the risk of damage to the router as a result of overload. Use very slow feed rates and/or multiple shallow cuts.
- The Speed Controller (10) is marked 1 to 5, corresponding approximately with the speeds and cutter diameters below. Turn the dial to select the required speed

Setting	RPM	Cutter Diameter
5	21,000	Up to 25mm (1")
4	18,000	25-50mm (1" - 2")
3	14,500	50-65mm (2" - 2½")
2	11,000	Over 65mm (2½")
1	8,000	Use only if burning

Cutting depth adjustment

Note: To lock the router at a particular depth of cut, plunge the router head down and rotate the Plunge Lock Lever (11) to its lower position. This will hold the router head in this position

- There are three methods of cut depth adjustment, depending on the accuracy and control required:

Free plunge

- Free plunge depth adjustments can be made with the Plunge Selection Button (18) engaged. Press the Plunge Selection Button deep inside the handle until it engages inward (Image A)
- Release the Plunge Lock Lever (11) and push the body of the router until the required depth is reached. Re-lock the Plunge Lock Lever

Winder handle adjustment

- Plunge depth adjustments can be made by turning the Winder Handle (19)
- Disengage the Plunge Selection Button (18), and ensure the button is flush with the Winder Handle (Image K)
- To release the Winder Handle, pull the Winder Handle Clutch Ring (17) inwards (Image B)
- Release the Plunge Lock Lever (11) and twist the Winder Handle until the desired depth of cut is reached. Release the Winder Handle Clutch Ring, and lock the Plunge Lock Lever

Micro Winder

Note: For use in Winder Handle (19) plunge mode only.

- Disengage the Plunge Selection Button (18), and ensure that the Plunge Lock Lever (11) is unlocked

Note: If the Micro Winder (20) is turned with the Plunge Lock Lever engaged, the Micro Winder will start clicking and the cut depth will remain unchanged.

- Turn the Micro Winder clockwise to increase cut depth and anti-clockwise to reduce cut depth. Adjust the cut depth until the desired height is reached

Note: When the end of the depth adjustment range is reached, the Micro Winder will offer greater resistance and will begin to 'click'.

- Engage the Plunge Lock Lever, particularly for heavy cuts

Depth stop and turret

- The Depth Stop (3) and Turret Stops (1) are used to accurately pre-set up to three different cut depths
- Loosen the Depth Stop Lock Knob (5) and retract the Depth Stop (3) fully, then re-tighten (Image F)
- Set the turret posts to the required plunge depths using the scales on the stationary turret post (Image G)

Note: To change turret posts, rotate the entire turret assembly to align with the Depth Stop.

- With the desired cutter installed into the Collet (23), adjust the plunge depth until the tip of the cutter touches the workpiece.
- Rotate the turret until the fixed turret post is in line with the Depth Stop. Release the stop, allowing it to spring on to the post, then re-tighten the Depth Stop Lock Knob. The plunge depth is now set at zero
- Rotate the Turret Stops until the turret post with the desired plunge depth is aligned with the Depth Stop

Optional template guide bushes

Different template guide bushes are available for template routing. Accessory kits are available through your local Triton retailer.

Making a cut

Note: NEVER operate the router freehand without some form of guide. Guidance can be provided by a bearing guided router bit cutter, the supplied guides, or a straight edge (Image I)

- ALWAYS hold the router using both hands, on the handles provided. Ensure that the workpiece will not move. Use clamps wherever possible
- Allow the motor to reach its full operating speed
- Lower the router bit cutter into the workpiece whilst moving the router slowly, keeping the baseplate held flat against the workpiece
- If edge cutting, the cutting of the workpiece should be on the left side relative to the cutting direction, (fig I). Keep the pressure constant and allow the cutter to work

steadily through the material. Be aware that knots, and other variations, will slow the rate of progress

Note: To avoid 'bit chatter', direct the cut anti-clockwise for external cuts, and clockwise for internal cuts.

Note: Moving the router too fast can result in a poor quality finish, and overloading of the motor. Moving the router too slowly can result in overheating the workpiece.

Note: Normal operation of a router is to plunge the head after the router has been switched on.

Note: Do not operate the router upside down unless securely mounted in a well-guarded router table (eg. Triton brand).

Making multiple pass cuts

- The Turret Stops (1) allow the maximum depth of cut to be achieved in an operator-determined number of steps. Each step of the turret can be pre-set by adjusting the thumbwheel on the turret post
- Rotate the Turret Stops so that the Depth Stop will contact the highest pre-set turret post when the router is plunged. The first pass of the cut can now be made
- Continue to make passes, rotating the Turret Stops and adjusting the turret post depth for each pass when necessary until the full depth of cut has been achieved

Circle Cutting

- Fit the Extended Baseplate (27), without the Fence (22) attachment, to the router
- Remove the Circle Cutting Pivot Mount (26) from the Extended Baseplate and fix it to the centre of the workpiece, using a small nail or screw, through one of the holes in the pivot mount, (Image M). Leave the pivot mount bolt in position
- Lower the router and base over the pivot mount and refit the washer and wing-nut, (Image N).
- With the power switched 'Off', rotate the router along the intended path to check the circle, and make any necessary adjustments
- Cut the circle in several passes, lowering the cut depth by approximately 2mm (1/13") on each pass, (Image T) Do not attempt to cut deeply in one pass
 - Through cuts: If cutting all the way through the material, fix a sacrificial board to the underneath of the workpiece. Cut the circle oversize, then when the cut is all the way through, reduce the diameter and work back to the required size, using light, full depth passes

Table-mounted operation

⚠ WARNING: When in use with the Triton Workcentre Router Table Module TWX7RT001, the maximum cutter Dia. Is 50mm. This is constrained by the Workcentre specification.

Note: Fitting and operating this router on a router table should be carried out in accordance with the literature supplied with the router table.

Note: Whilst this product was designed for efficient and convenient operation on most router tables, it is particularly suited for use with the Triton Router Table RTA300 and TWX7RT001.

Note: Router adjustments are extremely easy using the unique features described earlier in the manual. See 'Collet and cutter installation' and 'Cut Depth Adjustment'.

Note: The plunge spring MUST be removed before this router is fitted into a router table:

- Set the router at the top of its plunge range and engage the Plunge Lock Lever (11)
- Loosen the small screw next to the Plunge Spring Access Cap (21) a few turns.
- Holding the Plunge Spring Access Cap firmly so that the spring will not shoot upwards when released, twist the cap anti-clockwise to remove it, (Image O)
- Remove the spring and store in a safe place.
- Replace the Plunge Spring Access Cap and re-tighten the screw.

NOTE: Be sure to re-fit the plunge spring before using the router freehand.

- The Table Height Winder (24) engages with the Table Height Winder Connection Point (14) for quick and easy above-the-table height adjustment when the router is table-mounted

Accessing the baseplate screw threads

- To mount the router in a third-party router table or a table of your own construction remove the 4 x screws of the baseplate indicated in Image O and remove the baseplate
- There are 2 sets of screw threads as shown in figure II. There are 4 x ¼ UNC screw threads (A) which are used to secure the baseplate as well as suitable for table mounting plus an alternate set of 3 x M6 threads (B)

Note: The M6 threads are not available on earlier versions of the TRA001 router.

Accessories

- A wide range of suitable accessories for this tool are available from your Triton stockist, including a large selection of cutter/router bits. Spares including carbon brushes, guide bushes and collets are available from your Triton stockist or www.toolsparsonline.com.

Maintenance

⚠ WARNING: ALWAYS disconnect from the power supply before carrying out any inspection, maintenance or cleaning.

GB

General Inspection

- Regularly check that all the fixing screws are tight
- Inspect the supply cord of the tool, prior to each use, for damage or wear. Repairs should be carried out by an authorised Triton service centre. This advice also applies to extension cords used with this tool

Cleaning

 **WARNING:** ALWAYS wear protective equipment including eye protection and gloves when cleaning this tool.

- Keep your tool clean at all times. Dirt and dust will cause internal parts to wear quickly, and shorten the device's service life
- Clean the body of your machine with a soft brush, or dry cloth
- Never use caustic agents to clean plastic parts. If dry cleaning is not sufficient, a mild detergent on a damp cloth is recommended
- Water must never come into contact with the tool
- Ensure the tool is thoroughly dry before using it
- If available, use clean, dry, compressed air to blow through the ventilation holes (where applicable)

Lubrication

- Slightly lubricate all moving parts at regular intervals with a suitable spray lubricant

Brushes

- Over time the carbon brushes inside the motor may become worn
- Excessively worn brushes may cause loss of power, intermittent failure, or visible sparking
- To replace the brushes, remove the two Brush Access Covers (9). Carefully remove the worn brushes (Image P) and ensure the sockets are clean. Carefully replace with new brushes and then replace the Brush Access Covers
- After fitting run the router without load for 2-3 minutes to help the brushes bed in. The process of the brushes fully bedding in may take repeated uses. Motor sparking may continue until new carbon brushes have bedded in
- Alternatively, have the machine serviced at an authorised service centre

Storage

- Store this tool carefully in a secure, dry place out of the reach of children

Disposal

Always adhere to national regulations when disposing of power tools that are no longer functional and are not viable for repair.

- Do not dispose of power tools, or other waste electrical and electronic equipment (WEEE), with household waste
- Contact your local waste disposal authority for information on the correct way to dispose of power tools

Troubleshooting

Problem	Possible cause	Solution
No function when On/Off Power Switch (8) is operated	No power	Check power supply
	Defective On/Off Power Switch	Replace the On/Off Power Switch at an authorised Triton service centre
Inaccurate cutting profile	Depth Stop (3) not correctly adjusted	Ensure that the Depth Stop corresponds to the maximum amount of cut permitted by the Turret Stops (1)
	Incorrectly fitted or loose router bit/Collet (23)	Tighten router bit/Collet and cutter assembly
Router will not operate	No supply of power	Check that power is available at source
	Brushes worn or sticking	Disconnect power, open Brush Access Covers (9) and ensure brushes are not damaged or heavily worn
	Switch is faulty	Have the tool serviced by an authorised Triton service centre
	Motor components faulty or short circuited	
Router runs or cuts slowly	Blunt or damaged cutter	Re-sharpen or replace cutter
	Speed Controller (10) set low	Increase variable speed setting
	Motor is overloaded	Reduce pushing force on router
Excessive vibration	Incorrectly fitted or loose router bit	Refit or tighten router bit
	Bent or damaged router bit	Replace router bit
Heavy sparking occurs inside motor housing	Brushes not moving freely	Disconnect power, remove brushes, clean or replace
	Damaged or worn motor	Have the tool serviced by an authorised Triton service centre
Micro Winder (20) "clicks" or not adjusting	Plunge Lock Lever (11) engaged	Release Plunge Lock Lever
	Reached end of adjustment range	Reset the Micro Winder and set depth with the Depth Stop (3)
Makes an unusual sound	Mechanical obstruction	Have the tool serviced by an authorised Triton service centre
	Damage to internal windings	

Guarantee

To register your guarantee visit our web site at www.tritontools.com* and enter your details.

Your details will be included on our mailing list (unless indicated otherwise) for information on future releases. Details provided will not be made available to any third party.

Purchase Record

Date of Purchase: ___ / ___ / ___

Model: TRA001 Retain your receipt as proof of purchase

Triton Precision Power Tools guarantees to the purchaser of this product that if any part proves to be defective due to faulty materials or workmanship within 3 YEARS from the date of original purchase,

Triton will repair, or at its discretion replace, the faulty part free of charge.

This guarantee does not apply to commercial use nor does it extend to normal wear and tear or damage as a result of accident, abuse or misuse.

* Register online within 30 days.

Terms & conditions apply.

This does not affect your statutory rights

CE Declaration of Conformity

The undersigned: Mr Darrell Morris

as authorised by: Triton Tools

Declares that

Identification code: 330165

Description: Dual Mode Precision Plunge Router 2400W

Conforms to the following directives and standards:

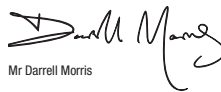
- Machinery Directive 2006/42/EC
- Low Voltage Directive 2006/95/EC
- EMC Directive 2004/108/EC
- RoHS Directive 2011/65/EU
- EN60745-1:2006+A11:2010
- EN60745-2-17:2010
- EN55014-1:2006+A1+A2
- EN55014-2:1997+A1+A2
- EN61000-3-2:2006+A1+A2
- EN61000-3-3:2013

Notified body: TÜV Rheinland Co., Ltd

The technical documentation is kept by: Triton Tools

Date: 24/11/2015

Signed:



Mr Darrell Morris

Managing Director

Name and address of the manufacturer:

Powerbox International Limited, Company No. 06897059. Registered address: Central House, Church Street, Yeovil, Somerset BA20 1HH, United Kingdom.

GB

Vertaling van de originele instructies

Introductie

Hartelijk dank voor de aanschaf van dit Triton-gereedschap. Deze instructies bevatten informatie die u nodig hebt voor een veilige en doeltreffende bediening van dit product. Dit product heeft een aantal unieke eigenschappen. Lees daarom deze handleiding altijd door, ook als u al bekend bent met bandschuurmachine, zodat u alle voordelen van dit unieke ontwerp kunt benutten. Houd deze handleiding bij de hand en zorg ervoor dat alle gebruikers van dit gereedschap de handleiding hebben gelezen en volledig hebben begrepen.

Beschrijving symbolen

Op het gegevensplaatje van uw gereedschap kunnen zich symbolen bevinden. Deze vertegenwoordigen belangrijke productinformatie en gebruiksinstructies.



Draag gehoorbescherming
Draag een veiligheidsbril
Draag een stofmasker
Draag een veiligheidshelm



Draag handschoenen



Lees de handleiding



Voorzichtig!



Waarschuwing: scherpe bladen of tanden!



Gebruik niet de regen of in vochtige omstandigheden!



Ontkoppel de machine van de stroombron voor het maken van aanpassingen, het verwisselen van accessoires, het schoonmaken, het uitvoeren van onderhoud en wanneer de machine niet in gebruik is!



Stofontginning vereist of aanbevolen



Beschermingsklasse II (dubbel geïsoleerd)



Milieubescherming Elektrische producten mogen niet met het normale huisvuil worden weggegooid. Indien de mogelijkheid bestaat, dient u het product te recyclen. Vraag de plaatselijke autoriteiten of winkelier om advies betreffende recyclen.



Voldoet aan de relevante wetgeving en veiligheidsnormen

Specificaties

Model nr.:	TRA001
Spanning:	220-240 V~, 50 Hz, 9,1 A
Vermogen:	2400 W
Onbelaste snelheid:	8000 tot 21.000 min-1 variabel
Ashals:	½" en 12 mm
Maximale bit diameter:	55mm
Maximale ashals formaat:	½" (imperiaal), 12 mm (metrisch)
Hoogte verstelling:	1) Vrije invaldiepte instelling 2) Draaihendel 3) Micro verstel knop
Invaldiepte bereik:	68 mm
Beschermingsgraad:	IP20
Isolatieklasse:	□
Stroomsnoer lengte:	3 m
Afmetingen (L x B x H):	180 x 300 x 310 mm
Gewicht:	6,3 kg
Met het oog op onze aanhoudende productontwikkeling kunnen de specificaties van Triton producten zonder voorafgaande kennisgeving worden gewijzigd.	
Geluid en trilling:	
Getuiddruk L_{pa} :	85,5 dB(A)
Getuiddvermogen L_{wa} :	96,4 dB(A)
Onzekerheid K:	3 dB
Trilling a_{tr} :	4,795 m/s ²
Onzekerheid K:	1,5 m/s ²
Wanneer het geluidsniveau boven de 85 dB reikt is het dragen van gehoorbescherming aan te raden.	

WAARSCHUWING: Bij een geluidsintensiteit van 85 dB(A) of hoger is het dragen van gehoorbescherming en het limiteren van de blootstellingstijd vereist. Bij oncomfortabel hoge geluidsniveaus, zelfs met het dragen van gehoorbescherming, stopt u het gebruik van de machine onmiddellijk. Controleer de pasvorm en het geluiddempingsniveau van de bescherming.

WAARSCHUWING: *Blootstelling aan trilling resulteert mogelijk in gevoelloosheid, tinteling en een verminderd gripvermogen. Langdurige blootstelling kan leiden tot chronische condities. Limiteer de blootstellingsduur en draag anti-vibratie handschoenen. Vibratie heeft een grotere invloed op handen met een temperatuur lager dan een normale, comfortabele temperatuur. Maak gebruik van de informatie in de specificaties voor het berekenen van de gebruiksduur en frequentie van de machine.*

Geluid- en trillingsniveaus in de specificatie zijn vastgesteld volgens EN60745 of een gelijksoortige internationale norm. De waarden gelden voor een normaal gebruik in normale werkomstandigheden. Een slecht onderhouden, onjuist samengestelde of onjuist gebruikte machine produceert mogelijk hogere geluids- en trillingsniveaus. www.osha.europa.eu biedt informatie met betrekking tot geluids- en trillingsniveaus op de werkplek wat mogelijk nuttig is voor regelmatige gebruikers van machines.

Algemene veiligheid voor elektrisch gereedschap

WAARSCHUWING: Lees alle bediening- en veiligheidsvoorschriften. Het niet opvolgen van alle voorschriften die hieronder vermeld staan, kan resulteren in een elektrische schok, brand en/of ernstig letsel.

WAARSCHUWING: De machine is niet geschikt voor gebruik door personen met een verminderde mentale of fysieke gesteldheid of een gebrek aan ervaring, tenzij de persoon wordt begeleid of geïnstrueerd door een persoon verantwoordelijk voor de veiligheid

Bewaar deze voorschriften voor toekomstig gebruik.

De term "elektrisch gereedschap" in alle hieronder vermelde waarschuwingen heeft betrekking op uw elektrische gereedschap dat op de stroom is aangesloten (met een snoer) of met een accu wordt gevoed (snoerloos).

1) Veiligheid in de werkuimte

- Houd de werkuimte schoon en zorg voor een goede verlichting. Rommelige en donkere ruimtes leiden vaak tot ongelukken.
- Werk niet met elektrisch gereedschap in explosieve omgevingen, bijvoorbeeld in de aanwezigheid van ontvlambare vloeistoffen, gasen of stof. Elektrisch gereedschap brengt vonken teweeg die stof of dampen kunnen doen ontbranden.
- Houd kinderen en omstanders uit de buurt wanneer u elektrisch gereedschap bedient. Door afleiding kunt u de controle over het gereedschap verliezen.

2) Elektrische veiligheid

- De stekkers van het elektrische gereedschap moeten passen bij het stopcontact. Pas de stekker niet aan. Gebruik geen adapterstekkers bij geaard elektrisch gereedschap. Het gebruik van ongewijzigde stekkers en passende stopcontacten vermindert het risico op een elektrische schok.
- Vermijd lichamen contact met geaarde oppervlakken zoals pijpen, radiatoren, fornuizen en koelkasten. Het risico op een elektrische schok neemt toe als uw lichaam geaard wordt.
- Laat elektrisch gereedschap niet worden. Wanneer elektrisch gereedschap nat wordt, neemt het risico op een elektrische schok toe.
- Beschadig het snoer niet. Gebruik het snoer nooit om het elektrisch gereedschap te dragen, te trekken of om de stekker uit het stopcontact te trekken. Houd het snoer uit de buurt van hitte, olie, scherpe randen of bewegende delen. Een beschadigd of in de knoop geraakt snoeren verhoogt het risico op een elektrische schok toe.
- Wanneer u elektrisch gereedschap buiten gebruikt, maak dan gebruik van een verlengsnoer dat geschikt is voor gebruik buitenshuis. Gebruik een verlengsnoer dat geschikt is voor gebruik buitenshuis om het risico op een elektrische schok te verminderen.
- Indien het onvermijdelijk is elektrisch gereedschap te gebruiken in een vochtige omgeving, gebruik dan een energiebron met een aardlek beveiliging (Residual Current Device). Het gebruik van een RCD vermindert het risico op een elektrische schok.

WAARSCHUWING: Bij het gebruik in Australië of Nieuw-Zeeland, is het aanbevolen de machine te allen tijde met gebruik van een aardlekschakelaar met een maximale lekstroom van 30 mA te gebruiken.

3) Persoonlijke veiligheid

- Blijf alert en gebruik uw gezonde verstand wanneer u elektrisch gereedschap bedient. Gebruik het elektrisch gereedschap niet wanneer u vermoeid bent of onder invloed van drugs, alcohol of medicijnen. Onoplettendheid tijdens het bedienen van elektrisch gereedschap kan leiden tot ernstig letsel.
 - Maak gebruik van persoonlijke bescherming. Draag altijd een veiligheidsbril. Passende bescherming voor de omstandigheden, zoals een stofmasker, niet-stippende veiligheidschoenen een helm of gehoorbescherming, vermindert het risico op persoonlijk letsel.
 - Zorg ervoor dat het apparaat niet per ongeluk wordt gestart. Controleer of de schakelaar in de 'uit' stand staat voordat u de stekker in het stopcontact steekt. Het dragen van elektrisch gereedschap met uw vinger op de schakelaar of het aansluiten op de stroom van elektrisch gereedschap met de schakelaar ingeschakeld kan tot ongelukken leiden.
 - Verwijder alle stel- of moersleutels voordat u het elektrische gereedschap inschakelt. Een moer- of stelsleutel die zich op een draaiend onderdeel van het elektrische gereedschap bevindt, kan leiden tot letsel.
 - Reik niet te ver. Blijf altijd stevig en in balans staan. Zo houdt u meer controle over het elektrische gereedschap in onverwachte situaties.
 - Draag geschikte kleding. Draag geen loshangende kleding of sieraden. Houd haren, kleding en handschoenen uit de buurt van bewegende delen. Loshangende kleding, sieraden en los hangende haren kunnen vast komen te zitten in bewegende delen.
 - Als er onderdelen voor stofafvoer- en stofverzameling worden meegeleverd, sluit deze dan aan en gebruik deze op de juiste wijze. Het gebruik van deze onderdelen kan het risico op stof gerelateerde ongelukken verminderen.
- #### 4) Gebruik en verzorging van elektrisch gereedschap
- Forceer elektrisch gereedschap niet. Gebruik elektrisch gereedschap dat geschikt is voor het werk dat u wilt uitvoeren. Geschikt elektrisch gereedschap werkt beter en veiliger op een passende snelheid.
 - Gebruik het elektrische gereedschap niet als de schakelaar het apparaat niet in- en uitschakelt. Elektrisch gereedschap dat niet bedient kan worden met de schakelaar is gevaarlijk en moet gerepareerd worden.
 - Haal de stekker uit het stopcontact voordat u instellingen aanpast, toebehoren verwisselt of het elektrische gereedschap opbergt. Dergelijke voorzorgsmaatregelen verminderen het risico op het per ongeluk starten van het elektrische gereedschap.
 - Berg elektrisch gereedschap dat niet in gebruik is op buiten bereik van kinderen en laat mensen die niet bekend zijn met het elektrische gereedschap of met deze instructies het elektrische gereedschap niet bedienen. Elektrisch gereedschap is gevaarlijk in de handen van onervaren gebruikers.
 - Onderhoud uw elektrisch gereedschap. Controleer op foute uitlijning of het vastslaan van bewegende delen, gebroken onderdelen en elke andere afwijking die de werking van het elektrische gereedschap zou kunnen beïnvloeden. Indien

het elektrische gereedschap beschadigd is, moet u het laten repareren voordat u het weer gebruikt. Veil ongelukken worden veroorzaakt door slecht onderhouden elektrisch gereedschap.

- Houd snijwerktuigen scherp en schoon. Goed onderhouden snijwerktuigen met scherpe messen slaan minder snel vast en zijn gemakkelijker te bedienen.
 - Gebruik het elektrische gereedschap, toebehoren en onderdelen, etc. volgens deze instructies en volgens bestemming voor het specifieke type elektrisch gereedschap, en houd daarbij rekening met de werkomstandigheden en het uit te voeren werk. Gebruik van elektrisch gereedschap voor werkzaamheden die verschillen van die waarvoor het apparaat bestemd is, kan leiden tot gevaarlijke situaties.
- #### 5) Onderhoud
- Laat uw elektrische gereedschap onderhouden door een gekwalificeerde vakman en gebruik alleen identieke vervangstukken. Zo bent u er zeker van dat de veiligheid van het elektrische gereedschap gewaarborgd blijft.

Bovenrees veiligheid



WAARSCHUWING!

- Houdt de machine enkel bij de geïsoleerde oppervlakken vast. Wanneer het frees bit in contact komt met het stroomsnoer of enige andere stroomdraden komen de metalen onderdelen mogelijk onder stroom te staan wat kan resulteren in elektrische schok
 - Zet het werkstuk met gebruik van klemmen of andere hulpmiddelen op een stevig werkoppervlak vast. Wanneer u het werkstuk in uw hand vasthoudt of tegen uw lichaam klemt, is de kans op ongelukken extreme groot
 - Laat het stroomsnoer wanneer nodig door de fabrikant vervangen om de kans op gevaaren en persoonlijk letsel te voorkomen
 - Het is aanbevolen de machine te gebruiken met een aardlekschakelaar met een maximale lekstroom van 30 mA
- Draag de juiste beschermende uitrusting, inclusief een veiligheidsbril, gehoorbescherming, een stofmasker en beschermende kleding inclusief handschoenen
 - Lappen, kleden, snoeren, koorden en dergelijke mogen nooit in het werkgebied rondslingeren
 - Controleer of de spanning van de stroombron gelijk is aan de spanning vermeld op het gegevensplaatje van de freesmachine
 - Indien u een verlengsnoer nodig hebt, dient u ervoor te zorgen dat het de juiste ampèrewaarde heeft voor uw elektrische gereedschap en in goede staat verkeerd
 - Rol verlengsnoeren op een kabelhempel volledig uit om mogelijke oververhitting te voorkomen
 - Gebruik geschikte detectors om te controleren of kabels en leidingen onder het werkoppervlak verborgen zitten. Vraag nutsbedrijven wanneer nodig om hulp. De aanraking met elektriciteitsdraden resulteert mogelijk in elektrische schok en/of brand. Het beschadigen van een gasleiding resulteert mogelijk in explosie. Het contact met waterleidingen resulteert mogelijk in ernstige schade aan eigendommen
 - Zorg ervoor dat u vreemde objecten zoals spijkers en schroeven uit het werk hebt verwijderd voordat u begint
 - Wees voorzichtig met frees bits, ze kunnen erg scherp zijn
 - Controleer de frees bits voor gebruik zorgvuldig op beschadigingen of scheurtjes. Vervang beschadigde of gescheurde bits onmiddellijk
 - Zorg ervoor dat frees bits goed onderhouden worden en scherp zijn. Botte frees bits leiden mogelijk tot controle verlies, hitte en persoonlijk letsel
 - Gebruik beide handvaten en zorg ervoor dat u de freesmachine stevig vast hebt voordat u het freeswerk start
 - Houdt de handvaten en grip oppervlakken droog, schoon en vrij van olie en vet zodat de machine stevig vast gehouden kan worden tijdens het werk
 - Voordat u het frezen met de machine start, schakelt u de machine in en laat u deze enige tijd lopen. Overmatige trilling duidt mogelijk op een onjuist gemonteerde frees bit
 - Let goed op de rotatie-richting van het frees bit en de werkrichting
 - Houd uw handen uit de buurt van het draaiende frees bit. Houd de machine met beide handen bij de handvaten vast
 - Start de boven frees NOOIT terwijl de frees het werkstuk raakt
 - Zorg ervoor dat de weerstandveer altijd gemonteerd is wanneer u de boven frees uit de vrije hand gebruikt
 - Zorg ervoor dat de frees volledig tot stilstand is gekomen alvorens naar de vergrendelpositie van de ashalts te gaan
 - De maximale snelheid van het frees bit dient minimaal even hoog te zijn als de onbelaste snelheid van de machine
 - Delen van frees bits worden tijdens gebruik mogelijk heet. Laat de bits na gebruik afkoelen voordat u ze aanraakt
 - Warme/hete onderdelen mogen niet in contact komen met ontvlambare materialen
 - De schacht van het frees bit dient overeen te komen met de maat van de ashalts op de machine. Onjuist bevestigde bits roteren onregelmatig wordt zorgt voor trillingen, waardoor u de controle over de machine mogelijk verliest
 - Wanneer de machine is ingeschakeld dient de as-vergrendelknop niet ingedrukt te worden en dient de machine niet in bit wissel stand geschakeld te worden
 - Oefen tijdens de volledige doorgang een gelijke druk op de machine uit zodat het frees bit de snelheid aangeeft. Forceer de machine niet door het werkstuk

NL

- y) Zorg ervoor dat het typeplaatje en de veiligheidswaarschuwingen op de machine te allen tijde duidelijk leesbaar zijn en vervangen worden wanneer beschadigd
- z) Het frees bit kan te allen tijde plotseling in het werkstuk klem komen te zitten waardoor u de controle over de machine mogelijk verliest. *Houdt de machine stevig met beide handen vast en laat de aan-/uitschakelaar in een dergelijk geval onmiddellijk los*
- Controleer of het frees bit centraal roteert, niet wiebelt en niet zorgt voor trillingen wanneer u de machine inschakelt. *Het gebruik van de machine met een onjuist bevestigd frees bit kan leiden tot controleverlies over de machine en serieuze persoonlijk letsel*
- Let er in het bijzonder voor op dat u de motor niet overbelast wanneer u frezen gebruikt met een diameter groter dan 2" (50 mm). *Maak gebruik van zeer langzame snelheden en/of meerdere ondiepe freesneden om overbelasting van de motor te voorkomen*
- Schakel de machine uit en wacht tot het frees bit volledig tot stilstand is gekomen voordat u de boven frees uit het werkstuk haalt
- Neem de stekker uit het stopcontact voordat u aanpassingen maakt of onderhoud verricht aan de boven frees

WAARSCHUWING: Stof, geproduceerd door elektrische machines, is mogelijk giftig. Sommige materialen zijn chemisch behandeld of voorzien van een coating en daarom een giftig gevaar. Sommige natuurlijke materialen bevatten giftige chemicaliën. Voorkom langdurige blootstelling. Laat het stof niet in contact komen met de huid en open en voorkom de ingang van stof in de mond zodat het niet geabsorbeerd wordt. Werk, wanneer mogelijk, in een goed geventileerde ruimte. Het dragen van een stofmasker en het gebruik van een stof ontginningsstelsel is aanbevolen. Bij een hoge blootstellingsfrequentie is het nemen van sterkere beschermende maatregelen erg belangrijk.

Onderdelenlijst

1. Draaikop begrenzers
2. Spankop
3. Dieptestop
4. Ventilatiegaten
5. Dieptestop vergrendelknop
6. Motor
7. Stroomschakelaar afdekking
8. Aan/uit stroomschakelaar
9. Koolstofborstel toegangsdoppen
10. Snelheid controlewiel
11. Vrije inval vergrendelhendel
12. Beschermkappen
13. Basisplaat montageknoppen
14. Tafel hoogterestelhendel bevestigingspunt
15. Stofpoort
16. Automatische as-vergrendeling
17. Draaihandvat koppeling
18. Vrije inval selectieknop
19. Draaihandvat
20. Micro stelhendel
21. Vrije inval veer toegangsdop
22. Geleider
23. Ashals
24. Tafel hoogte stelhendel
25. Steeksleutel
26. Cirkel freesbasis
27. Verlengde basisplaat

Figuur II

- A. ¼ UNC x4
- B. M6 x3
- C. Tafelhendel inkeping

Gebruiksdoel

Hand vrije inval bovenfrees, voor het gebruik met schacht bits tot ½" en 12 mm (afhankelijk van de geïnstalleerde ashals). Te gebruiken voor het frezen van profielen, groeven, randen en gaten in natuurlijk en composiet hout. Tevens te gebruiken met leibussen en mallen voor het frezen van vormen, het volgens van patronen en ook te gebruiken op compatibele freestafel systemen.

Het uitpakken van uw gereedschap

- Pak uw toestel / gereedschap uit. Inspecteer het en zorg dat u met alle kenmerken en functies vertrouwd raakt
- Controleer of alle onderdelen aanwezig zijn en in goede staat verkeren. Als er onderdelen ontbreken of beschadigd zijn, zorg dan dat deze vervangen worden voor u dit toestel / gereedschap gebruikt

Voor gebruik

WAARSCHUWING: Ontkoppel de machine van de stroombron voordat u accessoires wisselt of enige aanpassingen maakt

Ashals en freesbit installatie

WAARSCHUWING: Bij het installeren van ashalsen en freesbits is het dragen van beschermende handschoenen aanbevolen

1. Plaats de bovenfrees ondersteboven op een vlak oppervlak met de motor stationair en de stroomsnoer ontkoppeld van de stroombron
2. Druk de bovenfrees volledig naar beneden door de koppeling (17) in te drukken (Afbeelding B) en handvat (19) rechtsom te draaien tot de ashals (23) onder de basis uitsteekt
- LET OP:** Zorg ervoor dat de dieptestop (3) volledig is ingetrokken zodat de ashals onder de basisplaat uitsteekt, voor een gemakkelijke toegang met de moersleutel
3. Draai de ashals met gebruik van de inbegrepen steeksleutel (25) los
4. Selecteer de gewenste ashals en draai deze rechtsom in de spankop (2) vast
5. Steek uw frees bit volledig in de ashals en zorg ervoor dat minimaal 20 mm of de halve schachtlengte (de langste optie) in de ashals valt. Gebruik de steeksleutel om de ashals licht te draaien zodat de vergrendeling inschakelt (Afbeelding C). Draai de steeksleutel rechtsom om de ashals vast te draaien
6. Stel de bovenfrees weer op de normale werkdiepte in. De ashals vergrendeling ontkoppeld en de afdekplaat van de schakelaar komt vrij, zodat u weer bij de aan/uit stroomschakelaar (8) kunt.

Stofpoort

LET OP: De Triton bovenfrees is voorzien van een stofpoort (15) voor het afvoeren van stof boven de freesnede. De poort is geschikt voor een slang met een buiten diameter van 38 mm, die geleverd wordt bij het Triton stofopvangsysteem (DCA300).

- De slang wordt op zijn plaats geschroefd met een linkse draad (Afbeelding D)

Optionele stofkoker

Er is een optionele stofkoker verkrijgbaar bij uw Triton handelaar voor een effectieve spaanderafvoer langs het freesgebied. Deze kan verbonden worden met elke slang met een buiten diameter van 38 mm (Afbeelding E)

Verlengde basisplaat en geleider

1. Draai de twee basisplaat montageknoppen (13) los. Zo kunnen de montagebuis in de vergrendelgaten op de verlengde basisplaat (27) geplaatst worden
2. Draai de bovenfrees en de verlengde basisplaat ondersteboven
3. Druk de basisplaat montageknoppen op de bovenfrees in om de tabs vrij te geven
4. Lijn de montagebuis met de vergrendelgaten op de verlengde basisplaat uit en schuif deze in de sleuven (Afbeelding K)

LET OP: De positie van de verlengde basisplaat hangt af van waar ondersteuning vereist is. Voor randwerk plaatst u de aan/uit stroomschakelaar (8) op de korte overhangzijde van de basis

5. Draai de basisplaat montageknoppen op de bovenfrees stevig vast om de bovenfrees op de verlengde basisplaat te vergrendelen
6. Om de geleider (22) te bevestigen, draait u de geleiderknoppen los en schuift u de geleider langs de rails op de verlengde basisplaat (Afbeelding L). Vergrendel op de gewenste instelling door beide geleiderknoppen vast te draaien

LET OP: Bij het frezen van groeven op een afstand van de rand, bevestigd u de geleider op de lange zijde van de verlengde basisplaat

LET OP: Bij randfreesen met een freesbit zonder lager, bevestigd u de geleider op de korte zijde van de basisplaat (Afbeelding J)

LET OP: Bij het gebruik van freesbits met een grote diameter is het mogelijk vereist houten blokken via gaten op de geleideroppervlakken te bevestigen, om contact tussen het freesbits en de geleider te voorkomen

Gebruik

WAARSCHUWING: Bij het gebruik van de machine is het dragen van de geschikte beschermende uitrusting, waaronder werkhandschoenen aanbevolen

Het in- en uitschakelen van de machine

Let op: Wanneer de machine aangesloten wordt op de stroombron, verlicht de stroomschakelaar (zowel in de aan- als uitstand)

Let op: De stroomschakelaar afdekking (7) voorkomt accidentele inschakeling van de machine. Voordat u de machine in kunt schakelen schuift u de afdekking open. De afdekking blijft open tot de machine wordt uitgeschakeld

1. Zorg ervoor dat de bovenfreeskop volledig omhoog staat zodat het freesbit uit de buurt ligt van enige vreemde voorwerpen rondom de machine
2. Sluit de machine op een stroombron aan en schuif de afdekking open om de stroomschakelaar te kunnen bedienen
3. Plaats de stroomschakelaar in de 'I' positie om de machine in te schakelen. Wanneer de machine ingeschakeld is blijft de afdekking open
4. Om de machine uit te schakelen drukt u de stroomschakelaar in de 'O' stand. De afdekking sluit automatisch wanneer de machine uitgeschakeld wordt

Variabele snelheid

Let op: De freessnelheid is niet van bedenkelijke aard. Gebruik een zo hoog mogelijke snelheid welke niet resulteert in brandplekken op het werkstuk. Gebruik, wanneer vermeld, de maximale snelheid weergegeven door de fabrikant.

- Het gebruiken met een te lage rotatie verhoogt de kans op het beschadigen van de machine. Voed de machine langzaam door het werkstuk en /of maak meerdere ondiepe sneden voor een beter resultaat.
- De snelheidsregelaar is gemarkeerd met de cijfers 1 tot en met 6. De cijfers komen ongeveer overeen met de onderstaande snelheden en freesdiameter. Draai de regelaar om de snelheid te selecteren.

Stand	Min-1	Frees diameter
5	21.000	Tot op 25 mm (1")
4	18.000	25-50 mm (1"-2")
3	14.500	50-65 mm (2"-2,5")
2	11.000	Meer dan 65 mm (2,5")
1	8000	Gebruik alleen wanneer brandplekken verschijnen

Freestdiepte instelling

Let op: Om de machine op een bepaalde diepte te vergrendelen, duwt u de kop naar beneden en draait u de vergrendelhendel (11) naar beneden

- Er zijn drie methoden om de freestdiepte in te stellen, afhankelijk van de vereiste nauwkeurigheid en controle.

Vrije invaldiepte verstelling

1. Vrije invaldiepte verstelling kunnen met de vrije inval selectieknop (18) gemaakt worden. Druk deze diep naar binnen in het handvat tot hij vast klikt (Afbeelding A)
2. Laat de diepte vergrendelhendel (11) los. Duw tegen de behuizing van de bovenfrees tot de gewenste diepte is bereikt. Zet de blokkeerhendel weer vast.

Draaihendel verstelling

1. Invaldiepte verstellingen zijn te maken door het draaien van het draaihandvat (19)
2. Ontgrendel de inval selectieknop (18) en zorg ervoor dat de knop evenwijdig aan het handvat ligt
3. Om het handvat te verlossen, trekt u de koppeling (17) naar binnen (Afbeelding B)
4. Verlos de vergrendelhendel (11) en draai het handvat tot de gewenste diepte bereikt is. Verlos de koppeling en vergrendel het handvat

Micro verstellen

Let op: Alleen te gebruiken in de vrije inval draaihendel (19) verstelstand

1. Ontgrendel de diepteverstelling selectieknop (18) en zorg ervoor dat de vergrendelhendel (11) ontgrendeld is.

Let op: Als de micro verstellknop (20) gedraaid wordt terwijl de blokkeerhendel vergrendeld is, begint de micro verstellknop te ratelen en verandert de freestdiepte niet.

2. Draai de verstellknop rechtsonder om de freestdiepte te vergroten en linksom om de freestdiepte te verkleinen.

Let op: Wanneer het einde van het diepte instelbereik is bereikt, draait de microdraaier zwaarder en begint hij te ratelen.

3. Vergrendel de blokkeerhendel (10), vooral voor zwaar freeswerk.

Dieptestop en draaikop begrenzer

1. De dieptestop (3) en draaikop begrenzer (1) worden gebruikt voor een nauwkeurige opzet op drie verschillende freestdieptes
2. Draai de dieptestop vergrendelknop (5) los, trek de dieptestop (3) volledig in en draai de vergrendelknop weer vast
3. Stel de draaikop begrenzers op de gewenste freestdiepte met gebruik van de schaalverdelingen op de begrenzerstaaf (Afbeelding G)

Let op: Voor het aanpassen van de begrenzer staven, draait u volledige begrenzersamenstelling om deze uit te lijnen met de dieptestop

4. Met de gewenste diepte op de ashals (23), verstel de vrije invaldiepte tot de punt van het freesbit het werkstuk raakt
5. Draai de begrenzer tot de vaste begrenzerstaaf in lijn valt met de dieptestop. Verlos de stop en draai de dieptestop vergrendelknop vast. De vrije invaldiepte is nu gesteld op '0'
6. Draai de begrenzers tot de begrenzerstaaf met de gewenste invaldiepte is uitgelijnd met de dieptestop

Optionele mal-geleidebussen

Verschillende geleide bussen zijn verkrijgbaar voor mal frezen. Accessoires sets zijn verkrijgbaar bij uw Triton handelaar

Het maken van een freessnede

Let op: Hanteer de machine nooit uit de vrije hand zonder enige vorm van geleiding. Geleiding wordt verkregen via een freesbit met lager, de inbegrepen geleiders of een rechte rand (Afbeelding I)

1. Houd de machine te allen tijde met beide handen bij de handvaten vast. Zorg ervoor dat het werkstuk niet kan bewegen. Gebruik klemmen wanneer mogelijk
2. Laat de machine volledig op snelheid komen
3. Verlaag het freesbit in het werkstuk en houdt de basisplaat te allen tijde vlak op het werkstuk
4. Bij randfrezen dient de snede aan de linker zijde van het werkstuk gemaakt te worden (Fig. 1). Houd een constante druk en geleid het freesbit rustig door het werkstuk. Knopen en andere houtvariaties vertragen het proces

Let op: Om het breken van het freesbit te voorkomen, freest het bit linksom bij externe sneden en rechtsonder bij interne sneden

Let op: Het te snel bewegen van de machine resulteert in slechte kwaliteit sneden en overbelasting van de motor (6). Te langzame beweging resulteert in oververhitting van het werkstuk

Let op: Bij normaal gebruik van de machine verlaagt u het freesbit nadat de machine is ingeschakeld

Let op: Gebruik de machine niet ondersteboven tenzij de machine juist gemonteerd is op een geschikte freestafel

Het maken van meerdere doorgangen

1. De begrenzer (1) laat de maximale freestdiepte in een door de gebruiker vastgestelde aantal stappen bereikt worden. Elke stap kan vooraf ingesteld worden door het aanpassen van de duimschroef of de begrenzerstaaf
2. Draai de begrenzer zodat de dieptestop de hoogste vooraf ingestelde begrenzer raakt wanneer de bovenfrees zakt. De eerste snede kan nu gemaakt worden
3. Draai de begrenzerstop en blijf doorgangen maken tot de volledige gewenste freestdiepte bereikt is

Cirkel frezen

1. Monteer de verlengde basisplaat (27) zonder geleider (22) op de bovenfrees
 2. Verwijder de cirkel freesbasis (26) van de verlengde basisplaat en bevestig deze op het midden van uw werk met een kleine spijker of schroef door één van de gaten in de spilhouder (Afbeelding M). Laat de spilbout op zijn plaats zitten.
 3. Laat de bovenfrees en de basisplaat over de spilhouder zakken en zet de sluitring en vleugelmoer weer vast (Afbeelding N).
 4. Zet de aan-/uitschakelaar op "uit", draai de bovenfrees langs het beoogde pad om de cirkel te controleren en voer de benodigde aanpassingen uit.
 5. Frees de cirkel in verschillende gangen uit, waarbij u de freestdiepte bij elke gang zo'n 2 mm verlaagt (Afbeelding T). Probeer niet om diep te frezen in één doorgang.
- Als u helemaal door het materiaal heen freest, maak dan een plank die u later kunt weggooiden aan de onderkant van uw werkstuk vast. Frees de cirkel ruim uit, en wanneer vervolgens de freessnede helemaal door het werk is gegaan, verkleint u de diameter en werkt u terug naar de gewenste maat, met lichte gangen op de volledige diepte.

Gebruik bij montage op een freestafel

WAARSCHUWING: Bij het gebruik met de TWX7RT001 Triton Workcenter freestafel module is de maximale freestdiepte 50 mm. Dit is weergegeven in de Workcenter specificaties

Let op: Het monteren en gebruiken van de bovenfrees op de freestafel dient uitgevoerd te worden volgens de instructies van de freestafel

Let op: De machine is ontworpen voor een efficiënt gebruik op de meeste freestafels, maar is specifiek geschikt voor het gebruik op de RTA300 en TWX7RT001 Triton freestafels

Let op: Verstellingen zijn nu nog gemakkelijker met de eigenschappen beschreven in deze handleiding. Zie: 'Ashals en freesbit installatie' en 'Freestdiepte verstelling'

Let op: De veer dient verwijderd te worden voordat de machine op een freestafel gemonteerd wordt

1. Vergrendel de bovenfrees in de maximale freestdiepte
2. Draai de kleine schroef naast de veer toegangsdop (21) een aantal slagen los
3. Houdt de dop stevig vast zodat de veer niet uit de machine gevuurd wordt. Draai de dop linksom los (Afbeelding O)
4. Verwijder de veer en berg deze op een veilige plek op
5. Draai de dop vast en draai de schroef vast

NL

Let op: Vergeet de veer niet terug te plaatsen voordat u de machine uit de vrije hand gebruikt

- De tafel hoogte stelhendel (24) schakelt in met het bevestigingspunt (14) voor snelle en gemakkelijke boven de tafel hoogte verstellingen

Toegang tot de basisplaatschroeven

1. Voor het monteren van een externe freestafel of een eigen gemaakte freestafel, verwijderd u de 4 schroeven van de basisplaat, aangeduid in afbeelding Q, zodat u de basispaat af kunt nemen
2. Er zijn 2 schroeven sets, als afgebeeld in Fig. II. Er zijn 4 x ¼" UNC schroefdraden (A) die gebruikt worden voor het vergrendelen van de basisplaat en geschikt zijn voor tafelmontage en een alternatieve set met 3 x M6 schroeven (B)

LET OP: De M6 schroeven zijn niet verkrijgbaar op de eerdere TRA001 bovenfrezen

Accessoires

- Verschillende accessoires en verbruiksmiddelen, waaronder verschillende freesbits, zijn verkrijgbaar bij uw Triton handelaar. Reserve onderdelen zijn verkrijgbaar op toolspareonline.com

Onderhoud

 **WAARSCHUWING:** Ontkoppel de machine van de stroombron voordat u de machine schoonmaakt of enig onderhoud uitvoert

Algemene inspectie

- Controleer regelmatig of alle bevestigingsmiddelen nog goed vast zitten. Door vibratie kunnen ze na enige tijd los gaan zitten
- Inspecteer het stroomsnoer voor elk gebruik op slijtage en beschadiging. Reparaties dienen uitgevoerd worden bij een geautoriseerd Triton service center. Dit geldt tevens voor verlengsnoeren, gebruikt met de machine

Schoonmaak

 **WAARSCHUWING:** Bij het schoonmaken van de eenheid is het dragen van de juiste beschermende uitrusting, waaronder een veiligheidsbril en handschoenen, aanbevolen

- Houd uw machine te allen tijde schoon. Vuil en stof doen de interne onderdelen sneller slijten, wat de levensduur van de machine aanzienlijk vermindert
- Maak de behuizing van de machine met een zachte borstel of droge doek schoon
- Maak de plastic onderdelen niet met bijtende middelen schoon. Maak gebruik van een licht schoonmaakmiddel en een vochtige doek
- De machine mag niet in contact komen met water
- Zorg ervoor dat de machine volledig droog is voordat u deze gebruikt
- Gebruik wanneer mogelijk zuivere, droge perslucht om door de luchtgaten te blazen

Smeren

- Smeer alle bewegende onderdelen regelmatig met een geschikt smeermiddel

Koolstofborstels

- Na verloop van tijd zullen de koolstofborstels in de motor (6) verslijten.
- Bij overmatige slijtage van de borstels verliest de motor mogelijk vermogen, start het niet meer, en/ of produceert het overmatig vonken.
- Om de borstels te vervangen, verwijderd u de toegangsdoppen (9). Verwijder de versleten koolstofborstels voorzichtig (Afbeelding P) en zorg ervoor dat de contacten schoon zijn. Vervang de koolstofborstels en plaats de doppen terug op de machine
- Laat de machine voor 2-3 minuten onbelast draaien om de koolstofborstels in te werken. Het volledig inwerken van de koolstofborstels vereist mogelijk herhaaldelijk gebruik. Totdat de koolstofborstels ingewerkt zijn vonkt de motor
- Als alternatief laat u de borstels bij een erkend servicecenter vervangen

Opberging

- Berg de machine op een droge en veilige plek, buiten het bereik van kinderen op

Verwijdering

Bij de verwijdering van elektrische machines neemt u de nationale voorschriften in acht.

- Elektrische en elektronische apparaten en accu's mogen niet met uw huishoudelijk afval worden weggegooid
- Neem contact op met uw gemeente voor informatie betreffende de verwijdering van elektrisch gereedschap

Probleemopsporing

Probleem	Mogelijke oorzaak	Oplossing
De machine werkt niet wanneer de stroomschakelaar (8) bedient wordt	Geen stroom	Controleer de stroombron
	Defecte stroomschakelaar	Laat de stroomschakelaar bij een geautoriseerd service center vervangen
Onnauwkeurige resultaten	Onjuist ingestelde dieptestop (3)	Stel de dieptestop in de gewenste positie
	Onjuist bevestigd freesbit (23)	Draai het freesbit/ashals en freessamenstelling vast
De machine werkt niet	Geen stroomtoevoer	Controleer de stroomtoevoer
	Versleten koolstofborstels	Ontkoppel de machine van de stroombron, verwijder de koolstofborstel toegangsdoppen (9) en controleer de koolstofborstels
	Foutieve schakelaar	Laat de machine bij een geautoriseerd service center onderhouden
	Foutieve motoronderdelen of kortsluiting	
Lage motorsnelheid	Bot of beschadigd freesbit	Slijp of vervang het freesbit
	Lage snelheid controlewiel (10) stand	Verhoog de snelheidinstelling
	Overbelaste motor	Verminder de druk op de machine
Overmatige trillingen	Onjuist bevestigd of los freesbit	Bevestig het freesbit opnieuw of draai het freesbit vast
	Gebogen of beschadigd freesbit	Vervang het freesbit
Hevig vonken in de motorbehuizing	De koolstofborstels bewegen niet vrij	Ontkoppel de machine van de stroombron en bevestig de koolstofborstels opnieuw
	Beschadigde of versleten motor	Laat de machine bij een geautoriseerd service center onderhouden
Micro stelhendel (20) klikt en/ of verstelt onjuist	De vergrendelhendel (11) in ingeschakeld	Verlos de vergrendelhendel
	Het einde van het stelbereik is bereikt	Reset de micro stelhendel en stel de diepte met de dieptestop (3)
Abnormaal geluid	Mechanische obstructie	Laat de machine bij een geautoriseerd service center onderhouden
	Beschadigde interne motoronderdelen	

Garantie

Om uw garantie te registreren, gaat u naar onze website op www.tritontools.com* en voert u uw gegevens in.

Uw gegevens worden opgeslagen in onze mailinglist (tenzij u anders aangeeft) voor informatie over nieuwe producten. De ingevulde gegevens worden aan geen enkele andere partij beschikbaar gesteld.

Aankoopgegevens

Datum van aankoop: ___ / ___ / ___

Model: TRA001

Bewaer uw aankoopbon als aankoopbewijs rt pr

Triton Precision Power Tools garandeert de koper van dit product dat indien een onderdeel defect is vanwege fouten in materiaal of uitvoering binnen 3 jaar na de datum van de oorspronkelijke aankoop,

Triton het defecte onderdeel gratis repareert of, naar eigen inzicht, vervangt.

Deze garantie heeft geen betrekking op commercieel gebruik en strekt zich niet uit tot normale slijtage of schade ten gevolge van een ongeluk, verkeerd gebruik of misbruik.

* Registreer online binnen 30 dagen.

Algemene voorwaarden van toepassing.

EG-verklaring van overeenstemming

De ondergetekende: Mr. Darrell Morris

Gemachtigd door: Triton Tools

Verklaart dat

Identificatienummer: 330165

Beschrijving: Dual Mode Precision Plunge Router 2400W

Voldoet aan de volgende richtlijnen:

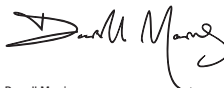
- Machinerichtlijn 2006/42/EC
- Richtlijn laagspanning 2006/95/EG
- Elektromagnetische verenigbaarheid 2004/108/EG
- RoHS-richtlijn 2011/65/EU
- EN60745-1:2006+A11:2010
- EN60745-2-17:2010
- EN55014-1:2006+A1+A2
- EN55014-2:1997+A1+A2
- EN61000-3-2:2006+A1+A2
- EN61000-3-3:2013

Keuringsinstantie: TÜV Rheinland Co., Ltd

De technische documentatie wordt bijgehouden door: Triton Tools

Datum: 24-11-2015

Handtekening:



Darrell Morris

Algemeen directeur

Naam en adres van fabrikant:

Powerbox International Limited, handelsregister nummer 06897059. Geregistreerd adres: Central House, Church Street, Yeovil, Somerset BA20 1HH, Verenigd Koninkrijk

NL

Traduction des instructions originales

Introduction

Nous vous remercions d'avoir choisi cet équipement Triton. Ces instructions contiennent les informations nécessaires pour vous en garantir un fonctionnement efficace et en toute sécurité. Veuillez lire attentivement ce manuel pour vous assurer de tirer pleinement avantage des caractéristiques uniques de votre nouvel équipement.

Gardez ce manuel à portée de main et assurez-vous que tous les utilisateurs l'aient lu et bien compris avant toute utilisation. Conservez-le pour toute référence ultérieure.

Description des symboles

La plaque signalétique figurant sur votre outil peut présenter des symboles. Ces symboles constituent des informations importantes relatives au produit ou des instructions concernant son utilisation.



Port de protection auditive
Port de lunettes de sécurité
Port de masque respiratoire
Port de casque



Port de gants



Lire le manuel d'instructions



Attention !



Attention : lames ou dents coupantes !



NE PAS utiliser sous la pluie ou dans un environnement humide !



Débranchez toujours l'appareil avant d'effectuer un réglage, de changer d'accessoire, de le nettoyer, de l'entretenir, ou lorsqu'il n'est plus utilisé !



Dispositif d'évacuation des poussières nécessaire ou vivement recommandé



Construction de classe II (Double isolation pour une protection supplémentaire)



Protection de l'environnement. Les produits électriques usagés ne doivent pas être jetés avec les ordures ménagères. Veuillez les recycler dans les centres prévus à cet effet. Pour de plus amples informations, veuillez contacter votre municipalité ou point de vente.



Conforme à la réglementation et aux normes de sécurité pertinentes

Caractéristiques techniques

Numéro de produit :	TRA001
Tension :	220 V-240 V~, 50 Hz / 9,1 A
Puissance :	2 400 W
Régime à vide :	de 8 000 à 21 000 tr/min
Pincés de serrage :	½" et 12 mm
Diamètre max de la fraise :	55 mm (50 mm lors d'une utilisation avec WX7RT001)
Taille maximale de la bague de serrage :	½" (mesure impériale), 12 mm (mesure métrique)
Réglage de la hauteur :	1) Plongée libre 2) Poignée remontoir pour la hauteur de table 3) Réglage micrométrique (réglages fins)
Course de plongée :	0 - 68 mm
Indice de protection :	IP20
Classe de protection :	□
Longueur du câble d'alimentation :	3 m
Dimensions (L x l x H):	180 x 300 x 310 mm
Poids :	6,3 kg
Du fait de l'évolution constante de nos produits, les caractéristiques des produits Triton peuvent changer sans notification préalable.	
Informations sur le niveau d'intensité sonore et vibratoire	
Pression acoustique (L_{pa}) :	85,5 dB(A)
Puissance acoustique (L_{wa}) :	96,4 dB(A)
Incertitude K :	3 dB
Vibration pondérée a_v :	4,795 m/s ²
Incertitude K :	1,5 m/s ²
L'intensité sonore peut dépasser 85 dB(A) et il est nécessaire que l'utilisateur porte des protections auditives.	

ATTENTION : Portez toujours des protections sonores lorsque le niveau d'intensité est supérieur à 85 dB(A) et limitez le temps d'exposition si nécessaire. Si l'intensité sonore devient inconfortable, même avec les protections, arrêtez immédiatement d'utiliser l'appareil, vérifiez que les protections sont bien en places et adaptés avec le niveau sonore produit par l'appareil.

ATTENTION : L'exposition de l'utilisateur aux vibrations peut engendrer une perte du toucher, des engourdissements, des picotements et ainsi réduire la capacité de préhension. De longues expositions peuvent également provoquer ces symptômes de façon chronique. Si nécessaire, limitez le temps d'exposition aux vibrations et portez des gants anti-vibrations. N'utilisez pas cet appareil lorsque la température de vos mains est en dessous des températures normales, car l'effet vibratoire en est accentué. Référez-vous au cas de figures des caractéristiques relatives aux vibrations pour calculer le temps et fréquence d'utilisation de l'appareil.

Les niveaux sonores et vibratoires des caractéristiques techniques sont déterminés en fonction de la norme EN60745 ou autres normes internationales. Ces données correspondent à un usage normale de l'appareil, et ce dans des conditions de travail normales. Un appareil mal entretenu, mal assemblé ou mal utilisé peut augmenter les niveaux sonores et vibratoires. Pour plus d'informations sur la directive des émissions sonores et vibratoires, visitez le site <http://osha.europa.eu/fr>.

Consignes de sécurité générales relatives à l'utilisation d'appareils électriques

AVERTISSEMENT : Veuillez lire toutes les consignes de sécurité et toutes les instructions. Le non-respect des instructions et consignes de sécurité peut entraîner un risque de décharge électrique, d'incendie et/ou se traduire par des blessures graves.

AVERTISSEMENT : Cet appareil n'est pas prévu pour être utilisé par des personnes (enfants y compris) ayant des capacités mentales ou physiques réduites ou manquant d'expérience à moins qu'ils soient supervisés ou qu'une personne responsable de leur sécurité leur donne des instructions concernant l'utilisation de cet appareil.

Veuillez conserver ces instructions et consignes de sécurité pour référence ultérieure.

L'expression « appareil/outil électrique » employée dans les présentes consignes recouvre aussi bien les appareils filaires à brancher sur secteur que les appareils sans fils fonctionnant avec batterie.

1. Sécurité sur la zone de travail

- Maintenir une zone de travail propre et bien éclairée. Des zones encombrées et mal éclairées sont sources d'accidents.
- Ne pas utiliser d'outils électriques dans des environnements explosifs, tels qu'à proximité de liquides, de gaz ou de poussières inflammables. Les outils électriques produisent des étincelles susceptibles d'enflammer la poussière ou les vapeurs présentes.
- Éloigner les enfants et toute personne se trouvant à proximité pendant l'utilisation d'un outil électrique. Ceux-ci pourraient vous distraire et vous faire perdre la maîtrise de l'appareil.

2. Sécurité électrique

- Les prises des outils électriques doivent correspondre aux prises du secteur. Ne modifiez jamais la prise en aucune façon. N'utilisez jamais d'adaptateur avec les outils électriques mis à la terre. Des prises non modifiées, adaptées aux boîtiers de prise de courant, réduisent les risques de décharge électrique.
- Éviter le contact corporel avec les surfaces mises à la terre telles que tuyaux, radiateurs, cuisinières et réfrigérateurs. Le risque de décharge électrique est plus important si votre corps est mis à la terre.
- Ne pas exposer votre outil électrique à la pluie ou à l'humidité. L'infiltration d'eau dans un outil électrique augmentera le risque de décharge électrique.
- Ne pas maltraiter le cordon électrique. N'utilisez jamais le cordon électrique pour porter, tirer ou débrancher l'outil électrique. Conservez le cordon électrique à l'écart de la chaleur, de l'essence, de bords tranchants ou de pièces en mouvement. Un cordon électrique endommagé ou entortillé accroît le risque de décharge électrique.
- Au cas où l'outil électroportatif serait utilisé à l'extérieur, servez-vous d'une rallonge appropriée à une utilisation en extérieur. Cela réduit le risque de décharge électrique.
- Si une utilisation de l'outil dans un environnement humide ne peut être évitée, utilisez une alimentation protégée par un disjoncteur différentiel. L'utilisation d'un disjoncteur différentiel réduit le risque de décharge électrique.

3. Sécurité des personnes

- Rester vigilant et faire preuve de sens lors de la manipulation de l'outil. Ne pas utiliser d'outil électrique en état de fatigue ou sous l'influence de drogues, d'alcool ou de médicaments. Un moment d'inattention pendant l'utilisation d'un outil électrique peut se traduire par des blessures graves.
- Porter des équipements de protection. Porter toujours des lunettes de protection. Le port d'équipements de protection tels que des masques à poussières, des chaussures de sécurité antidérapantes, un casque de sécurité ou des protections antibruit, selon le travail à effectuer, réduira le risque de blessures aux personnes.
- Éviter tout démarrage accidentel. S'assurer que l'interrupteur marche-arrêt soit en position d'arrêt (Off) avant de brancher l'outil sur l'alimentation secteur. Porter un outil électrique tout en maintenant le doigt posé sur l'interrupteur ou brancher un outil électrique dont l'interrupteur est sur la position de marche (On) est source d'accidents.
- Enlever tout clé ou tout instrument de réglage avant de mettre l'outil électrique en marche. Une clé ou un instrument de réglage laissé fixé à un élément en rotation de l'outil électrique peut entraîner des blessures physiques.
- Ne pas essayer d'atteindre une zone hors de portée. Se tenir toujours en position stable et conserver l'équilibre. Cela permet de mieux contrôler l'outil électrique dans des situations inattendues.
- Porter des vêtements appropriés. Ne pas porter de vêtements amples ou des bijoux pendants. Les vêtements amples, les bijoux pendants ou les cheveux longs peuvent être happés par les pièces en mouvement.
- Si l'outil est pourvu de dispositifs destinés au raccord d'équipements d'extraction de récupération de la poussière/sciure, s'assurer qu'ils soient bien fixés et utilisés correctement. L'utilisation de ces dispositifs peut réduire les risques dus à la poussière.

4. Utilisation et entretien des outils électriques

- Ne pas surcharger l'outil électrique. Utiliser l'outil électrique approprié au travail à effectuer. Un outil électrique adapté et employé au rythme pour lequel il a été conçu permettra de réaliser un travail de meilleure qualité et dans de meilleures conditions de sécurité.
- Ne pas utiliser un outil électrique dont l'interrupteur marche-arrêt est hors service. Tout outil électrique dont la commande ne s'effectue plus par l'interrupteur marche-arrêt est dangereux et doit être réparé.

c. Débrancher l'outil électrique avant d'effectuer tout réglage, changement d'accessoire ou avant de le ranger. De telles mesures préventives réduiront les risques de démarrage accidentel.

d. Ranger les outils électriques inutilisés hors de portée des enfants et ne pas permettre l'utilisation de ces outils aux personnes novices ou n'ayant pas connaissance de ces instructions. Les outils électriques sont dangereux dans les mains d'utilisateurs inexpérimentés.

e. Veiller à l'entretien des outils électriques. Vérifier que les éléments rotatifs soient bien alignés et non grippés. S'assurer de l'absence de pièces cassées ou endommagées susceptibles de nuire au bon fonctionnement de l'outil. Si l'outil électrique est endommagé, le faire réparer avant toute utilisation. De nombreux accidents sont causés par l'utilisation d'outils électriques mal entretenus.

f. Garder les outils de coupe affûtés et propres. Des outils de coupe bien entretenus, aux tranchants bien affûtés, sont moins susceptibles de se gripper et sont plus faciles à contrôler.

g. Utiliser l'outil électrique, les accessoires et les outils à monter, etc., conformément à ces instructions et selon l'utilisation prévue pour le type d'outil donné, en tenant compte des conditions de travail et de la tâche à réaliser. Toute utilisation de cet outil électrique autre que celle pour laquelle il a été conçu peut entraîner des situations à risque et entraînerait une annulation de sa garantie.

5. Entretien

a. Ne faire réparer l'outil électrique que par un réparateur qualifié utilisant uniquement des pièces de rechange identiques. Cela permettra d'assurer la sécurité continue de cet outil électrique.

Consignes de sécurité relatives à l'utilisation des défonceuses



- Tenez l'outil électrique par ses surfaces de préhension isolées, au cas où la fraise rentre en contact avec des câbles et fils cachés. Lorsqu'ils sont en contact avec un câble sous tension, ils peuvent exposer les pièces métalliques de l'outil à une tension et peuvent entraîner un choc électrique.
- Immobilisez la pièce de travail à l'aide d'un étou ou d'une pince de serrage sur une surface stable. Maintenir la pièce de travail à la main ou contre le corps peut engendrer une perte de contrôle.
- S'il est nécessaire de remplacer le cordon d'alimentation, cela doit être fait par le fabricant ou un de ses agents agréés pour éviter tout danger.
- Il est fortement recommandé d'alimenter l'outil à travers un disjoncteur différentiel (RCD) dont le courant résiduel nominale est de 30 mA ou moins.
 - Portez des équipements de sécurité tels que des lunettes ou une visière, des protections auditives, un masque respiratoire et des vêtements de protection tel que des gants de sécurité.
 - Les chiffons, cordes, ficelles etc. ne doivent jamais être laissés dans l'espace de travail.
 - Assurez-vous que la tension de la source principale d'alimentation soit la même que celle indiquée sur la plaque signalétique de l'appareil.
 - Assurez-vous que toutes les rallonges électriques utilisées avec l'appareil soient électriquement sûres, et qu'elles possèdent l'ampérage indiqué pour l'appareil.
 - Déroulez complètement les rallonges de l'enrouleur pour éviter toute surchauffe.
 - Utilisez un détecteur approprié pour déterminer si des câbles ou conduites se trouvent sous la surface de la zone de travail. Contactez les sociétés des services publics appropriées si nécessaire. Un contact avec des câbles électriques peut engendrer des chocs électriques et des incendies. Endommager une conduite de gaz peut engendrer une explosion. Un contact avec une conduite d'eau peut provoquer des dommages matériels importants.
 - Assurez-vous d'avoir enlevé les corps étrangers tels que les clous et les vis de la pièce de travail avant de commencer à travailler.
 - Manipulez les fraises avec précaution car elles peuvent être extrêmement tranchantes.
 - Avant utilisation, vérifiez avec précaution que l'embout ne soit pas endommagé ou fissuré. Remplacez immédiatement les embouts endommagés ou fissurés.
 - Assurez-vous que les fraises/embouts sont aiguisés et entretenus correctement. Si les tranchants sont émoussés, cela peut engendrer des pertes de contrôle, le calage de l'appareil, une augmentation de la chaleur et des blessures.
 - Utilisez TOUJOURS les deux mains et maintenez fermement la défonceuse avant de commencer tout travail.
 - Gardez les poignées et les surfaces de préhension sèches, propres et sans huile ou graisse pour assurer une prise en main sûre de l'appareil pendant son utilisation.
 - Avant d'utiliser l'appareil pour faire une coupe, mettez-le en marche et laissez-le fonctionner librement pendant quelques instants. Des vibrations peuvent indiquer un embout mal installé.
 - Notez le sens de rotation de la fraise et celui du déplacement de l'outil.
 - Gardez vos mains éloignées de la zone de défonçage et de la fraise. Maintenez la poignée auxiliaire ou les surfaces de préhension isolantes avec votre deuxième main.
 - Ne démarrez JAMAIS la défonceuse lorsque la fraise est en contact avec la pièce de travail.
 - Assurez-vous toujours que le ressort de plongée est installé pendant l'utilisation à la main de la défonceuse.
 - Assurez-vous que la fraise est complètement arrêtée avant de plonger vers la position de verrouillage de la pince de serrage.

FR

- s) La vitesse maximale de la fraise/l'embout doit être au moins aussi élevée que celle de l'appareil.
- t) Des parties de la fraise peuvent devenir extrêmement chaudes pendant l'utilisation. Ne manipulez pas immédiatement après l'utilisation pour éviter le risque de brûlure.
- u) Ne laissez aucune pièce venir en contact avec des matériaux combustibles
- v) La taille de la tige de la fraise/l'embout doit être exactement de la même taille de la pince de serrage installée sur la défonceuse. Une fraise/un embout incorrectement installé(e) aura un mouvement de rotation irrégulier et augmentera les vibrations, cela peut engendrer une perte de contrôle.
- w) N'essayez JAMAIS d'appuyer sur le bouton de boccage de l'arbre ou de mettre l'appareil en mode de changement d'embout lorsque l'appareil est en marche.
- x) Gardez une pression constante lors d'une coupe dans la pièce de travail, en laissant la fraise décider de la vitesse de coupe. Ne forcez pas sur l'appareil, et ne surchargez pas le moteur.
- y) Assurez-vous que les étiquettes et les avertissements de sécurité sur l'appareil restent lisibles et remplacez-les s'ils sont endommagés ou abîmés.
- z) Lorsque vous utilisez la défonceuse, restez sur vos garde ; la fraise pourrait caler, entraînant une perte de contrôle. Assurez-vous toujours de bien maintenir la défonceuse. Dans de telles circonstances, soyez prêt à relâcher l'interrupteur de marche/arrêt immédiatement.
- Après avoir éteint la défonceuse, vérifiez que la fraise a un mouvement de rotation régulier (non vacillant) et qu'il n'y a pas de vibrations supplémentaires dues à une fraise mal installée. Faire fonctionner la défonceuse avec une fraise mal installée peut engendrer une perte de contrôle et des blessures graves.
 - Une extrême précaution est requise lorsque vous utilisez des fraises d'un diamètre supérieur à 2" (50 mm). Faites descendre la fraise lentement et/ou faites de multiples fraisages peu profonds pour éviter la surcharge du moteur.
 - Éteignez TOUJOURS l'appareil et attendez que l'embout soit complètement arrêté avant de le retirer de la pièce de travail.
 - Débranchez l'appareil de sa source d'alimentation avant d'effectuer un réglage, l'entretien ou la révision.

ATTENTION : Les poussières générées par des outils électroportatifs peuvent être toxiques. Certains matériaux peuvent être traités chimiquement ou avoir un revêtement, et présenter un risque toxique. Certains matériaux naturels ou composites peuvent contenir des produits chimiques toxiques. Certaines peintures anciennes peuvent contenir du plomb et d'autres produits chimiques. Évitez les longues expositions à la poussière créée par l'utilisation de la défonceuse. NE laissez PAS la poussière se poser sur la peau ou les yeux, et ne laissez pas la poussière rentrer dans la bouche pour éviter l'absorption de produits chimiques nocifs. Si possible, travaillez dans un endroit bien ventilé. Utilisez un masque respiratoire et un système d'extraction de la poussière adéquats. Là où il y a une plus grande fréquence d'exposition, il est encore plus important que toutes les précautions de sécurité soient respectées et que des protections personnelles d'un niveau supérieur soient utilisées.

Descriptif du produit

- Butoir de tourelle
- Mandrin
- Butée de profondeur
- Fentes de ventilation latérales
- Bouton de verrouillage de la butée de profondeur
- Bloc-moteur
- Cache rétractable de sécurité de l'interrupteur
- Interrupteur marche/arrêt
- Cache des charbons
- Régulateur de vitesse
- Manette de verrouillage de la plongée
- Gardes de sécurité
- Boutons de montage de la plaque de guidage
- Point d'attache de la poignée remontoir de la table
- Tubulure d'extraction de la poussière
- Verrouillage automatique de l'arbre
- Bague d'embrayage de la poignée remontoir
- Sélecteur du mode de plongée
- Poignée remontoir
- Régulateur micrométrique
- Cache d'accès au ressort de plongée
- Guide
- Bague de serrage
- Poignée remontoir pour le réglage de la hauteur de la table
- Clé
- Support du pivot pour la coupe de cercle
- Rallonge de la plaque de guidage

Figure II

- Filetage UNC ¼ x 4
- Filetage M6 x 3
- Commande du remontoir de la table

Usage conforme

Défonceuse à main s'utilisant avec des fraises pourvues de tiges de tailles pouvant aller jusqu'à ½" et 12 mm (en fonction de la bague de serrage installée). S'utilise pour couper des profils, des rainures, des bords et des trous oblongs dans les bois composites et naturels. Peut aussi être utilisée en mode stationnaire si elle est installée sur une table de défonceuse compatible.

Déballer votre produit

- Déballer le produit avec soin. Veillez à retirer tout le matériel d'emballage et familiarisez-vous avec toutes les caractéristiques du produit.
- Si des pièces sont endommagées ou manquantes, faites-les réparer ou remplacer avant d'utiliser l'appareil.

Avant utilisation

ATTENTION : Assurez-vous que l'outil est éteint et débranché de la source d'alimentation avant de procéder à la pose ou au retrait d'un accessoire, ou de réaliser toute opération de réglage, de nettoyage ou d'entretien.

Installation de la bague de serrage et de la fraise

Remarque : Portez des gants de protection lorsque vous installez ou enlevez les fraises, les tranchants sont très affûtés.

- Placez la défonceuse dessus dessous sur une surface plane et sûre, le moteur doit être complètement arrêté et le câble d'alimentation débranché.
- Faites descendre la défonceuse à son maximum en appuyant sur la bague d'embrayage de la poignée remontoir (17) (Image B) vers l'intérieur, tournez la poignée du remontoir (19) dans le sens horaire jusqu'à ce que la pince de serrage (23) dépasse à la base (Image A).

Remarque : Assurez-vous que la butée de profondeur (3) est complètement rétractée (voir « Tourelle et butée de profondeur »). La pince de serrage devrait dépasser de la base, permettant un passage facile de la clé.

- En utilisant la clé (25) fournie, desserrez la pince de serrage en la tournant dans le sens antihoraire jusqu'à l'enlever.
- Installez la pince de serrage désirée dans le mandrin (2) en vissant la pince de serrage dans le sens horaire.
- Placez la fraise dans la pince de serrage en vous assurant qu'au moins 20 mm ou la moitié de la tige (le plus grand des deux) est (sont) inséré(s) dans la pince, puis utilisez la clé pour tourner légèrement la pince de serrage tout en laissant le verrouillage de la pince de serrage s'enclencher (Image C). Lorsqu'il est enclenché, tournez la clé dans le sens horaire pour serrer la fraise.
- Remettez la défonceuse dans une profondeur normale. Cela dégage la verrouillage de la pince de serrage et relâchera le cache de l'interrupteur (8), le rendant de nouveau accessible.

Tubulure d'extraction de la sciure

Remarque : Cette défonceuse Triton est pourvue d'une tubulure d'extraction de la sciure (15) permettant l'élimination de la sciure au-dessus de la coupe. Elle permet le raccord de tuyau d'un diamètre extérieur de 38 mm (½"), tel que celui fourni avec le collecteur de sciure Triton (DCA300)

- Le tuyau s'adapte en le vissant sur un filetage à gauche (dans le sens antihoraire) (Image D).

Collecteur de poussières optionnel

- Un collecteur de poussières proposé en option permet une meilleure extraction des poussières dans la zone de coupe. Vous pouvez l'obtenir chez votre revendeur Triton. Il peut être banché sur n'importe quel de tuyau d'un diamètre extérieur de 38 mm (½"), (Image E).

Installation du guide et de la rallonge de la plaque de guidage

- Desserrez les boutons de montage de la plaque de guidage (13). Cela permet aux ergots de montage de se mettre en place dans les trous de la rallonge de la plaque de guidage (27).
- Mettez la défonceuse et la rallonge de la plaque de guidage à l'envers.
- Poussez les boutons de montage de la plaque de guidage sur l'intérieur de la défonceuse afin de montrer les ergots de montage.
- Alignez les ergots de montage avec les trous de montage de la défonceuse situés sur la plaque de guidage, faites-les glisser dans les fentes (Image K).

Remarque : Le sens de la plaque de guidage dépend de l'endroit où le support est nécessaire. Pour travailler sur un bord, placez l'interrupteur marche/arrêt (8) du côté de la plaque le plus court.

- Serrez fermement les boutons de montage de la plaque de guidage sur la défonceuse afin de maintenir la défonceuse sur la plaque de guidage.
- Pour installer le guide (22) desserrez les molettes du guide, et faites glisser le guide le long des rainures de la rallonge de la plaque de guidage, (Image L). Resserrez les molettes pour verrouiller le réglage voulu.

Remarque : Lorsque vous effectuez un rainurage, installez le guide sur le côté long de la plaque.

Remarque : Lorsque vous effectuez un travail sur le bord avec une fraise sans roulement, installez le guide sur le côté court de la plaque de guidage (image J).

Remarque : Si vous utilisez une fraise de large diamètre, il peut être nécessaire d'installer des pièces de bois le long du guide en utilisant les trous de vissage pour éviter que la fraise n'entre en contact avec le guide.

Instructions d'utilisation

ATTENTION : Portez TOUJOURS des lunettes de protection et des protections auditives ainsi qu'un masque respiratoire et des gants adaptés lorsque vous travaillez avec cet outil.

Mettre en marche et arrêter

Remarque : Lorsque la défonceuse est branchée, le voyant à l'intérieur de l'interrupteur marche/arrêt (8) s'allume (que ce soit dans la position allumée aussi bien que dans la position éteinte).

Remarque : Le cache rétractable de l'interrupteur (7) empêche la mise en marche accidentelle de l'appareil. Il doit être rétracté pour pouvoir mettre la défonceuse en marche. Le cache restera ouvert tant que la défonceuse sera en marche.

1. Assurez-vous que la défonceuse est au maximum de l'extension de sa course, et que la fraise ne rentrera pas en contact avec des objets lors de sa mise en marche.
2. Branchez le câble d'alimentation, et faites glisser le cache rétractable de l'interrupteur pour accéder à l'interrupteur marche/arrêt.
3. Basculez l'interrupteur marche/arrêt en position 'I' pour mettre la défonceuse en marche. Lorsque l'interrupteur marche/arrêt est dans cette position, il empêche le cache de venir recouvrir l'interrupteur marche/arrêt.
4. Pour arrêter, basculer l'interrupteur marche/arrêt en position 'O'. Le cache glissera dans sa position originale.

Régulateur de vitesse

Remarque : La vitesse de la défonceuse n'est pas un réglage critique. En règle générale, choisissez la vitesse la plus haute à laquelle il ne se produira pas de marque de brûlure sur la pièce à fraiser. Suivez toujours les indications de vitesse maximale préconisées par le fabricant de la fraise.

- Travailler à une vitesse de rotation trop faible accroît le risque de surcharge et, par conséquent, d'endommagement de la défonceuse. Pratiquez à une vitesse d'avancée très faible et/ou réalisez plusieurs passes peu profondes
- Le régulateur de vitesse (10) porte les indications 1 à 5, dont la vitesse et le diamètre de fraise correspondants sont indiquées dans le tableau suivant. Il suffit de tourner le régulateur pour sélectionner la vitesse.

Réglage	Tours/minute	Diamètre de la fraise
5	21 000	jusqu'à 25 mm (1")
4	18 000	25- 50 mm (1"-2")
3	14 500	50-65 mm (2"-½")
2	11 000	au-dessus de 65 mm (2 ½")
1	8 000	n'utiliser qu'en cas de brûlure de l'ouvrage

Réglage de la profondeur de fraisage

Remarque : Pour verrouiller la défonceuse à une profondeur particulière, faites descendre la tête de la défonceuse et faites tourner la manette de verrouillage de la plongée (11) jusqu'à atteindre sa position la plus basse. Cela verrouillera la tête de la défonceuse en position.

- Il existe trois méthodes de réglage de la profondeur de fraisage, en fonction du degré de précision et de maîtrise requis :

Plongée libre

1. Le réglage de la profondeur en mode de plongée libre ne peut s'effectuer que lorsque le sélecteur du mode de plongée (18) est enfoncé. Appuyez sur le bouton du sélecteur du mode de plongée situé au centre de la poignée pour l'enfoncer (Image A).
2. Relâchez la manette de verrouillage de la plongée (11). Abaissez le bloc-moteur de la défonceuse jusqu'à obtenir la profondeur souhaitée. Re-verrouillez la manette de verrouillage de la plongée.

Réglage de la poignée remontoir

1. La profondeur de travail peut être réglée en tournant la poignée remontoir (19).
2. Dégagez le sélecteur du mode de plongé (18) et assurez-vous que le bouton est appuyé avec la poignée remontoir.
3. Pour relâcher la poignée, tirez la bague d'embrayage de la poignée remontoir (17) vers l'intérieur (Image B).
4. Relâchez la manette de verrouillage de la plongée (11) et tournez la poignée remontoir jusqu'à atteindre la profondeur désirée. Relâchez la bague d'embrayage de la poignée remontoir et verrouillez le verrouillage de la butée de profondeur.

Réglage micrométrique

Remarque : S'utilise uniquement lorsque la défonceuse est en mode poignée remontoir (19) sur table.

1. Débloquez le sélecteur du mode de plongée (18), et assurez-vous que la manette de verrouillage de la plongée (11) est débloquée.

Remarque : Si vous tournez le régulateur micrométrique (20) tandis que la manette de verrouillage de la plongée est enclenchée, le dispositif de réglage micrométrique se mettra à cliqueter sans qu'il ne s'opère aucune modification de la profondeur de fraisage.

2. Tournez le régulateur micrométrique dans le sens horaire pour augmenter la profondeur de fraisage et dans le sens antihoraire pour la diminuer.

Remarque : Une fois la fin de la plage de réglage de profondeur atteinte, le régulateur micrométrique présentera une plus grande résistance et commencera à émettre un « clic ».

3. Verrouillez la manette de verrouillage de la plongée, surtout pour les fraisages « lourds ».

Tourelle et butée de profondeur

1. La butée de profondeur (3) et la tourelle (1) permettent le préréglage de trois profondeurs de fraisage en mode de plongée libre.
2. Desserrez le bouton de verrouillage de la butée de profondeur (5) et rétractez complètement la butée de profondeur (3), puis resserrez fermement (Image F).
3. Réglez les molettes de la tourelle à la profondeur désirée en utilisant les graduations du pied de la tourelle (Image G).

Remarque : pour changer de pied de tourelle, faites tourner l'ensemble tourelle pour qu'il s'aligne avec la butée de profondeur.

Installez la fraise désirée dans la pince de serrage (23), et ajustez la profondeur jusqu'à ce que la pointe de la fraise soit sur la pièce.

4. Faites tourner la tourelle jusqu'à ce que le pied de tourelle fixe soit aligné avec la butée de profondeur. Relâchez le verrouillage, et laissez-le aller jusqu'au pied, puis resserrez le bouton de verrouillage de la butée de profondeur. La défonceuse est maintenant à zéro.
5. Faites tourner le butoir de tourelle jusqu'à ce que le pied de la tourelle réglé à la longueur voulue soit aligné avec la butée de profondeur.

Gabarits de perçage avec canons de guidage proposés en option

Différents gabarits de perçage avec canons de guidage sont disponibles pour être utilisés avec votre défonceuse. Des ensembles d'accessoires sont également disponibles auprès de votre détaillant Triton.

Effectuer une coupe

Remarque : Ne procédez jamais à un fraisage à main levée sans utiliser de guidage. Un guidage peut consister en une fraise à roulement, un guide parallèle tel que celui fourni avec cette défonceuse, ou tout dispositif de guidage parallèle tel qu'un tasseau fixé sur la pièce à fraiser (image I).

1. Tenez TOUJOURS l'appareil à deux mains et assurez-vous que la pièce à fraiser soit bien immobilisée afin d'éviter tout dérapage en cours d'utilisation. Si possible, utilisez des serre-joints.
2. Laissez le moteur atteindre sa vitesse maximum.
3. Abaissez la fraise dans la pièce tout en avançant la défonceuse doucement, maintenez la plaque de guidage bien en place contre la pièce à travailler.
4. Lors de la coupe d'un bord, la pièce à fraiser devrait être sur la gauche (en fonction du sens de la coupe) (fig. I). Maintenez une pression constante et laissez la fraise couper le matériau doucement. Les nœuds, et autre défaut ralentiront le travail.

Remarque : Pour éviter l'éclatement de la fraise, dirigez la coupe dans le sens antihoraire pour les coupes externes et dans le sens horaire pour les coupes internes.

Remarque : Faire avancer la défonceuse trop rapidement entraînera une coupe de mauvaise qualité, la faire avancer trop doucement entraînera une surchauffe de la pièce.

Remarque : En règle générale, plongez la tête de la défonceuse seulement lorsque la machine a été mise en route.

Remarque : N'utilisez pas la défonceuse à l'envers (fraise en haut) à moins que celle-ci ne soit montée sur une table de fraisage convenablement protégée (par exemple une table pour défonceuse Triton).

Coupe en plusieurs passes

1. Le butoir de tourelle (1) permet d'attendre la profondeur de coupe maximale en passant par plusieurs étapes réglées par l'utilisateur. Chacun des pieds peut être réglé en utilisant la petite molette située sur le pied de la tourelle.
2. Faites tourner le butoir de tourelle afin que la butée de profondeur soit en contact avec le pied réglé à la hauteur la plus grande lorsque la défonceuse est abaissée. La première passe peut être effectuée.
3. Continuez à faire des passes, faites tourner le butoir de tourelle et réglez la profondeur des pieds de la tourelle pour chaque passe lorsque cela est nécessaire jusqu'à atteindre la profondeur souhaitée.

Découper des cercles

1. Installez la plaque de guidage (27), sans son guide parallèle (22) sur la défonceuse.
2. Enlevez la monture-pivot (26) de la plaque et fixez-le au centre de la pièce à fraiser à l'aide d'un petit clou ou d'une vis insérée dans l'un des trous de la monture (image M). Laissez le boulon fileté en place.
3. Placez la plaque pourvue de la défonceuse sur la monture et réinstallez la rondelle et l'écrou à ailettes (image N).

FR

- L'appareil étant toujours éteint, faites-lui suivre la trajectoire envisagée afin de vérifier la grandeur du cercle, et procédez aux réglages éventuellement nécessaires.
- Fraisez le cercle en plusieurs passes, en augmentant la profondeur de fraisage de 2 mm environ à chaque passe (Image T). Ne procédez pas à une coupe profonde d'un seul coup.
- Fraisages débouchants** : si vous souhaitez couper sur toute l'épaisseur du matériau, il est recommandé de fixer une planche « sacrificielle » sous la pièce à fraiser pour minimiser les éclats. Découpez tout d'abord un cercle de taille supérieure à la taille voulue, puis, une fois que le fraisage débouchant a été réalisé, réduisez le diamètre pour produire la taille finale souhaitée en procédant par passes légères à pleine profondeur.

Utilisation sur table

⚠ ATTENTION : Lorsque la défonceuse est utilisée avec le plateau de table pour défonceuse du Workcentre de Triton WX7RT001, le diamètre de coupe max. est de 50 mm. Il s'agit d'une contrainte due aux caractéristiques techniques du Workcentre.

Remarque : Tout montage et utilisation de cette défonceuse sur une table de fraisage doit s'effectuer conformément à la documentation fournie avec la table de fraisage.

Remarque : Ce produit est conçu pour fonctionner de manière efficace et en toute simplicité sur la plupart des tables de fraisage, mais il est tout particulièrement adapté aux tables pour défonceuse Triton RTA300 et TWX7RT001.

Remarque : Il est extrêmement simple de réaliser les réglages nécessaires à l'installation de la défonceuse. Veuillez vous reporter aux sections « Installation de la bague de serrage et de la fraise » et « Réglage de la profondeur de fraisage ».

Remarque : Le ressort de plongée DOIT être enlevé avant que la défonceuse soit fixée sur la table.

- Régalez la défonceuse sur sa position la plus haute et verrouillez-la en actionnant la manette de verrouillage de la plongée (11).
- Dévissez la petite vis adjacente au cache d'accès au ressort de plongée (21) de quelques tours.
- Faites légèrement tourner le cache d'accès dans le sens contraire des aiguilles d'une montre pour pouvoir l'enlever. Tenez le cache fermement car la détente du ressort pourrait le faire sauter (Image O).
- Retirez le ressort et gardez-le en lieu sûr.
- Réinstallez le cache d'accès et resserrez la vis.

Remarque : Assurez-vous toujours que le ressort de plongée soit réinstallé lorsque vous utilisez l'appareil en usage manuel.

Accéder aux vis de l'embase

- Pour monter votre défonceuse sur une table d'un autre fabricant ou sur une table que vous avez vous conçue, vous devez retirer les 4 vis de l'embase pour pouvoir retirer celle-ci, tel qu'illustré en image Q.
- Deux lots de vis de filetages différents sont fournis (voir Fig. II). L'un comprend 4 vis à filetage UNC 1/4 (A) qui sont indiquées à la fois pour fixer l'embase et pour l'assemblage de la table, et l'autre comprend 3 vis à filetage M6 (B).

Remarque : Les filetages M6 ne sont pas compatibles avec les premières versions de la défonceuse TRA001.

Accessoires

- Une large gamme d'accessoires est disponible chez votre revendeur Triton, elle comprend de nombreuses fraises et accessoires de coupe. Des pièces de rechange peuvent être obtenues chez votre revendeur ou sur toolsparsonline.com.

Entretien

⚠ AVERTISSEMENT : Débranchez TOUJOURS l'appareil avant procéder à toute opération d'inspection, d'entretien ou de nettoyage.

Inspection générale

- Vérifiez régulièrement que toutes les vis de fixations soient toujours bien serrées. Elles peuvent devenir lâches au cours du temps à cause des vibrations.
- Vérifiez le câble d'alimentation de l'appareil avant chaque utilisation, à la recherche de tout signe de dommage ou d'usure. Toute réparation doit être réalisée par un centre agréé Triton. Ceci s'applique également pour les rallonges utilisées avec cet appareil.

Nettoyage

ATTENTION : Portez TOUJOURS un équipement de protection avec des lunettes de protection ainsi que des gants adaptés lorsque vous nettoyez cet outil.

- Gardez l'appareil propre en permanence. La poussière et la saleté provoquent l'usure rapide des éléments internes et réduisent la durée de vie de l'appareil.
- Nettoyez le boîtier de la machine à l'aide d'une brosse souple ou d'un chiffon sec.
- N'utilisez jamais d'agents caustiques sur les parties plastiques. Si un nettoyage sec ne suffit pas, il est recommandé d'utiliser un détergent doux sur un chiffon humide.
- L'appareil ne doit jamais être mis en contact avec de l'eau.
- Assurez-vous que l'appareil soit complètement sec avant de l'utiliser.
- Si vous en avez la possibilité, nettoyez les orifices de ventilation à l'air comprimé propre et sec.

Lubrification

- Lubrifiez régulièrement les parties mobiles avec un vaporisateur de lubrifiant approprié.

Remplacement des balais de charbons

- Avec le temps, les balais de charbon du moteur s'usent. Ce processus d'usure est accéléré si la machine est surchargée ou utilisée dans des environnements poussiéreux.
- Si les balais sont excessivement usés, le rendement du moteur peut diminuer, la machine peut ne pas démarrer ou une quantité anormale d'étincelles peut être observée.
- Pour remplacer les balais, enlevez les caches des charbons (9). Retirez les charbons usés (Image P) en tirant doucement sur leur ressort et vérifiez que les compartiments sont propres. Placez délicatement les charbons neufs.
- Après le remplacement, faites tourner la défonceuse pendant 2-3 minutes pour roder les charbons. Le processus de rodage peut se prolonger sur plusieurs utilisations. Des étincelles seront produites jusqu'à ce que les nouveaux balais soient rodés.
- Vous pouvez également les faire remplacer dans un centre d'entretien agréé.

Entreposage

- Ranger cet outil et ces accessoires dans sa sacoche, dans un endroit sûr, sec et hors portée des enfants.

Traitement des déchets

Lorsque l'appareil n'est plus en état de fonctionner et qu'il n'est pas réparable, recyclez l'appareil conformément aux réglementations nationales.

- Ne jetez pas les outils électriques, batteries et autres équipements électriques ou électroniques (DEEE) avec les ordures ménagères.
- Contactez les autorités locales compétentes en matière de gestion des déchets pour vous informer de la procédure à suivre pour recycler les outils électriques.

Si mon appareil ne fonctionne pas

Problème	Cause possible	Solution
L'interrupteur marche/arrêt (8) ne fonctionne pas	Pas d'alimentation	Vérifiez l'alimentation
	Bouton marche/arrêt défectueux	Faites remplacer l'interrupteur marche/arrêt auprès d'un centre Triton agréé
La coupe des profils n'est pas précise	La butée de profondeur (3) n'est pas réglée correctement	Assurez-vous que la butée de profondeur correspond au nombre max. de coupe réalisable avec le butoir de tourelle (1)
	Fraise ou pince de serrage (23) mal installée ou mal serrée	Resserrez la fraise ou la pince de serrage
La défonceuse ne se met pas en marche	Défaut d'alimentation	Vérifiez que l'alimentation électrique est disponible
	Les charbons sont usés	Débranchez l'appareil, ouvrez les caches des charbons (9) et assurez-vous que les charbons ne sont pas usés.
	L'interrupteur est défaillant	Faites réviser l'outil auprès d'un centre Triton agréé
	Des composants du moteur sont défectueux ou court-circuités	
La défonceuse tourne à faible vitesse	Fraise émoussée ou endommagée	Réaffûtez ou remplacez la fraise
	La vitesse est trop basse (10)	Passer au réglage de vitesse supérieur
	Le moteur est surchargé	Réduisez la force de poussée exercée sur la défonceuse
Vibrations excessives	Fraise mal montée ou lâche	Réinstallez ou resserrez la fraise
	Tige de la fraise tordue	Remplacez la fraise
Le moteur produit beaucoup d'étincelles	Les balais de charbons sont en mouvement	Débranchez l'appareil, retirez les charbons, nettoyez-les et remettez-les en place
	Moteur endommagé ou usé	Faites réviser l'outil auprès d'un centre Triton agréé
Le régulateur micrométrique cliquette	La manette de verrouillage de la plongée (11) est enclenchée	Désenclenchez la manette de verrouillage de la plongée
	La fin de la plage de réglage est atteinte	Réinitialisez le réglage micrométrique et réglez la profondeur avec la butée de profondeur (3)
Impossible de faire plonger l'appareil et d'obtenir le blocage de la pince de serrage	L'interrupteur est en position allumée	Faire passer l'interrupteur en position éteinte
La machine produit un bruit inhabituel	Gêne mécanique	Faites réviser l'outil auprès d'un centre Triton agréé
	Bobines endommagées	

Garantie

Pour valider votre garantie, rendez-vous sur notre site internet www.tritontools.com* et saisissez vos coordonnées.

Vos coordonnées seront introduites dans notre liste de diffusion (sauf indication contraire) afin de vous informer de nos prochaines nouveautés. Les informations que vous nous fournirez ne seront pas communiquées à des tiers.

Pense-bête

Date d'achat : ___/___/___

Modèle: TRA001

Numéro de série : _____ (situé sur l'étiquette figurant sur le moteur)

Veillez conserver votre ticket de caisse comme preuve d'achat.

Si toute pièce de ce produit s'avérait défectueuse du fait d'un vice de fabrication ou de matériau dans les 3 ANS suivant la date d'achat, Triton Precision Power Tools s'engage auprès de l'acheteur de ce produit à réparer ou, à sa discrétion, à remplacer gratuitement la pièce défectueuse.

Cette garantie ne s'applique pas à l'utilisation commerciale et ne s'étend pas non plus à l'usure normale ou aux dommages causés par des accidents, des mauvais traitements ou une utilisation impropre.

Offre soumise à conditions.

Ceci n'affecte pas vos droits statutaires.

Déclaration de conformité CE

Le soussigné : M. Darrell Morris

Autorisé par : Triton Tools

Déclare que le produit

Code d'identification : 330165

Description: Défonceuse de précision bi-mode 2 400 W

Est conforme aux directives suivantes :

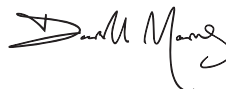
- Directive relative aux machines 2006/42/CE
- Directive relative aux basses tensions 2006/95/CE
- Directive relative à la compatibilité électromagnétique 2004/108/CE
- Directive RoHS 2011/65/UE
- EN60745-1:2006+A11:2010
- EN60745-2-17:2010
- EN55014-1:2006+A1+A2
- EN55014-2:1997+A1+A2
- EN61000-3-2:2006+A1+A2
- EN61000-3-3:2013

Organisme notifié : TÜV Rheinland Co., Ltd.

La documentation technique est conservée par : Triton Tools

Date : 24/11/2015

Signature :



M. Darrell Morris
Directeur général

Nom et adresse du fabricant ou de son représentant agréé :

Powerbox International Limited, entreprise enregistrée sous le numéro 06897059. Siège social : Central House, Church Street, Yeovil, Somerset BA20 1HH, Royaume Uni.

FR

Übersetzung des Originaltextes

Einführung

Vielen Dank, dass Sie sich für dieses Triton-Werkzeug entschieden haben. Diese Anleitung enthält wichtige Informationen für das sichere und effektive Arbeiten mit diesem Produkt. Bitte lesen Sie diese Anleitung sorgfältig durch, um den größtmöglichen Nutzen aus dem einzigartigen Design dieses Produkts ziehen zu können. Bewahren Sie diese Anleitung griffbereit auf und sorgen Sie dafür, dass alle Benutzer dieses Geräts sie gelesen und verstanden haben.

Symbolerklärung

Auf dem Typenschild des Werkzeugs sind möglicherweise Symbole abgebildet. Sie vermitteln wichtige Informationen über das Produkt oder dienen als Gebrauchsanweisung.



Gehörschutz tragen
Augenschutz tragen
Atemschutz tragen
Kopfschutz tragen



Schutzhandschuhe tragen



Bedienungsanleitung sorgfältig lesen



Achtung, Gefahr!



WARNING! Scharfe Sägeblätter/-zähne!



Nicht im Regen oder in feuchter Umgebung verwenden!



Vor Einstellungsänderungen, Zubehörewechseln, Reinigungs- und Instandhaltungsarbeiten sowie bei Nichtgebrauch stets von der Spannungsversorgung trennen!



Staubabzug benötigt



Schutzklasse II (doppelt isoliert)



Umweltschutz Elektroaltgeräte dürfen nicht über den Hausmüll entsorgt werden. Nach Möglichkeit bitte über entsprechende Einrichtungen entsorgen. Lassen Sie sich bezüglich der sachgemäßen Entsorgung von Elektrowerkzeugen von der zuständigen Behörde oder dem Händler beraten.



Erfüllt die einschlägigen Rechtsvorschriften und Sicherheitsnormen

Technische Daten

Modellbezeichnung:	TRA001
Spannung:	220 V-240 V, AC, 50 Hz , 9,1 A
Aufnahmeleistung:	2400 W
Leerlaufdrehzahl:	8.000 – 21.000 min ⁻¹ (stufenlos regelbar)
Spannzangen:	½ Zoll und 12 mm
Fräserdurchmesser:	max. 55 mm (50 mm bei Verwendung mit WX7RT001)
Max. Spannzangengröße:	12 mm (½ Zoll)
Tiefeneinstellungen:	1) Grobeinstellung 2) Drehgriffregelung 3) Feinjustierung
Eintauchtiefenbereich:	0 - 68 mm
Schutzart:	IP20
Schutzklasse:	
Netzkabellänge:	3 m
Abmessungen (L x H x B):	180 x 310 x 300mm
Gerätegewicht:	6,3 kg

Aufgrund der ständigen Weiterentwicklung unserer Produkte kann Triton die technischen Daten ohne Vorankündigung ändern.

Geräusch- und Vibrationsinformationen:

Schalldruckpegel L_{pa}:	85,5 dB(A)
Schalleistungspegel L_{wa}:	96,5 dB(A)
Unsicherheit K:	3 dB
Hand-Arm-Vibration a_h:	4,795 m/s ²
Unsicherheit K:	1,5 m/s ²

Der Schallintensitätspegel kann für den Bediener 85 dB(A) übersteigen und Lärmschutzmaßnahmen sind notwendig.

WARNING: Tragen Sie in Bereichen, wo der Lärmpegel 85 dB(A) überschreitet, unbedingt angemessenen Gehörschutz und begrenzen Sie nach Möglichkeit die Belastungsdauer. Sollte trotz Gehörschutz Unbehagen irgendeiner Art auftreten, beenden Sie die Arbeit unverzüglich und überprüfen Sie den Gehörschutz auf korrekten Sitz und Funktion und stellen Sie sicher, dass dieser einen angemessenen Schutz für den Lärmpegel bietet, der von den verwendeten Werkzeugen ausgeht.

WARNING: Bei der Benutzung mancher Werkzeuge wird der Benutzer Vibrationen ausgesetzt, welche zum Verlust des Tastsinns, zu Taubheitsgefühl, Kribbeln und zu einer Verminderung der Handgrieffkraft führen können. Langfristige Belastung kann zu chronischen Beschwerden führen. Begrenzen Sie, falls nötig, die Exposition zu Vibrationen und tragen Sie vibrationsmindernde Handschuhe. Verwenden Sie dieses Werkzeug nicht mit kalten Händen, da Vibrationen bei Temperaturen unter dem individuellen Komfortbereich eine stärkere Wirkung zeigen. Beurteilen Sie die Vibrationsbelastung unter Zuhilfenahme der Technischen Daten des jeweiligen Werkzeuges und bestimmen Sie die zulässige Belastungsdauer und -häufigkeit.

Die in den Technischen Daten angegebenen Geräusch- und Vibrationsinformationen werden nach EN 60745 bzw. vergleichbaren internationalen Standards bestimmt. Die angegebenen Werte beziehen sich auf eine normale Benutzung des Werkzeuges unter normalen Arbeitsbedingungen. Schlecht gewartete, inkorrekt montierte und unsachgemäß verwendete Werkzeuge können erhöhte Schallpegel und Vibrationswerte aufweisen. Weitere Informationen zur EU-Vibrationsrichtlinie und zu Schall- sowie Vibrationsbelastungen, die auch für Heimanwender relevant sein können, finden Sie auf den Seiten der Europäischen Agentur für Sicherheit und Gesundheitsschutz am Arbeitsplatz: www.osha.europa.eu.

Allgemeine Sicherheitshinweise

WARNUNG! Lesen Sie alle Sicherheitshinweise und Anweisungen. Versäumnisse bei der Einhaltung der Sicherheitshinweise und Anweisungen können elektrischen Schlag, Brand und/oder schwere Verletzungen verursachen.

WARNUNG: Dieses Gerät darf nicht von Personen (wie z.B. Kindern) mit eingeschränkten körperlichen oder geistigen Fähigkeiten oder von Personen ohne Erfahrung im Umgang mit einem solchen Gerät betrieben werden, außer wenn sie von einer für ihre persönliche Sicherheit verantwortlichen Person in der Benutzung unterwiesen worden sind und dabei beaufsichtigt werden. Kinder müssen beaufsichtigt werden, um sicherzustellen, dass sie das Gerät nicht als Spielzeug verwenden.

Bewahren Sie alle Sicherheitshinweise und Anweisungen für die Zukunft auf.

Der in den Sicherheitshinweisen verwendete Begriff „Elektrowerkzeug“ bezieht sich auf netzbetriebene Elektrowerkzeuge (mit Netzkabel) und akkubetriebene Elektrowerkzeuge (ohne Netzkabel).

- 1) **Arbeitsplatzsicherheit**
 - a) Halten Sie Ihren Arbeitsbereich sauber und gut beleuchtet. Unordnung oder unbeleuchtete Arbeitsbereiche können zu Unfällen führen.
 - b) Arbeiten Sie mit dem Elektrowerkzeug nicht in explosionsgefährdeter Umgebung, in der sich brennbare Flüssigkeiten, Gase oder Stäube befinden. Elektrowerkzeuge erzeugen Funken, die den Staub oder die Dämpfe entzünden können.
 - c) Halten Sie Kinder und andere Personen während der Benutzung des Elektrowerkzeugs fern. Bei Ablenkung können Sie die Kontrolle über das Gerät verlieren.

2) Elektrische Sicherheit

- a) Der Anschlussstecker des Elektrowerkzeuges muss in die Steckdose passen. Der Stecker darf in keiner Weise verändert werden. Verwenden Sie keine Adapterstecker gemeinsam mit geschützten Elektrowerkzeugen. Unveränderte Stecker und passende Steckdosen verringern das Risiko eines elektrischen Schlages.
- b) Vermeiden Sie Körperkontakt mit geerdeten Oberflächen wie von Rohren, Heizungen, Herden und Kühlschränken. Es besteht ein erhöhtes Risiko durch elektrischen Schlag, wenn Ihr Körper geerdet ist.
- c) Halten Sie Elektrowerkzeuge von Regen oder Nässe fern. Das Eindringen von Wasser in ein Elektrowerkzeug erhöht das Risiko eines elektrischen Schlages.
- d) Zweckentfremden Sie das Kabel nicht, um das Elektrowerkzeug zu tragen, aufzuhängen oder um den Stecker aus der Steckdose zu ziehen. Halten Sie das Kabel fern von Hitze, Öl, scharfen Kanten oder sich bewegenden Geräteteilen. Beschädigte oder verwickelte Kabel erhöhen das Risiko eines elektrischen Schlages.
- e) Wenn Sie mit einem Elektrowerkzeug im Freien arbeiten, verwenden Sie nur Verlängerungskabel, die auch für den Außenbereich geeignet sind. Die Anwendung eines für den Außenbereich geeigneten Verlängerungskabels verringert das Risiko eines elektrischen Schlages.

f) Wenn der Betrieb des Elektrowerkzeuges in feuchter Umgebung nicht vermeidbar ist, verwenden Sie einen Fehlerstromschutzschalter. Der Einsatz eines Fehlerstromschutzschalters vermindert das Risiko eines elektrischen Schlages.

Hinweis: Der Begriff „Fehlerstromschutzschalter“ wird synonym mit den Begriffen „FI-Schutzschalter“ und „FI-Schalter“ verwendet.

WARNUNG! In Australien und Neuseeland darf dieses Gerät nur unter Verwendung einer Fehlerstromschutzeinrichtung (FI-Schalter) mit einem Bemessungsfehlerstrom von höchstens 30 mA an die Spannungsversorgung angeschlossen werden.

3) Sicherheit von Personen

- a) Seien Sie aufmerksam, achten Sie darauf, was Sie tun, und gehen Sie mit Vernunft an die Arbeit mit einem Elektrowerkzeug. Benutzen Sie kein Elektrowerkzeug, wenn Sie müde sind oder unter dem Einfluss von Drogen, Alkohol oder Medikamenten stehen. Ein Moment der Unachtsamkeit beim Gebrauch des Elektrowerkzeuges kann zu ernsthaften Verletzungen führen.
- b) Tragen Sie persönliche Schutzausrüstung und immer eine Schutzbrille. Das Tragen persönlicher Schutzausrüstung, wie Staubmaske, rutschfeste Sicherheitsschuhe, Schutzhelm oder Gehörschutz, je nach Art und Einsatz des Elektrowerkzeuges, verringert das Risiko von Verletzungen.
- c) Vermeiden Sie eine unbeabsichtigte Inbetriebnahme. Vergewissern Sie sich, dass das Elektrowerkzeug ausgeschaltet ist, bevor Sie es an die Stromversorgung und/oder den Akku anschließen, es aufnehmen oder tragen. Wenn Sie beim Tragen des Elektrowerkzeuges den Finger am Schalter haben oder das Gerät eingeschaltet an die Stromversorgung anschließen, kann dies zu Unfällen führen.
- d) Entfernen Sie Einstellwerkzeuge oder Schraubenschlüssel, bevor Sie das Elektrowerkzeug einschalten. Ein Werkzeug oder Schlüssel, der sich in einem drehenden Geräteteil befindet, kann zu Verletzungen führen.
- e) Vermeiden Sie eine unnatürliche Körperhaltung. Sorgen Sie für einen sicheren Stand und halten Sie jederzeit das Gleichgewicht. In diese Weise lässt sich das Elektrowerkzeug in unerwarteten Situationen besser kontrollieren.
- f) Tragen Sie geeignete Kleidung. Tragen Sie keine weite Kleidung oder Schmuck. Halten Sie Haare, Kleidung und Handschuhe fern von sich bewegenden Teilen. Lockere Kleidung, Schmuck oder lange Haare können von sich bewegenden Teilen erfasst werden.
- g) Wenn Staubabsaug- und auffangeinrichtungen montiert werden können, vergewissern Sie sich, dass diese angeschlossen sind und richtig verwendet werden. Verwendung einer Staubabsaugung kann Gefährdungen durch Staub verringern.
- 4) **Verwendung und Behandlung des Elektrowerkzeuges**
 - a) Überlasten Sie das Gerät nicht. Überladen Sie für Ihre Arbeit das dafür bestimmte Elektrowerkzeug. Mit dem passenden Elektrowerkzeug arbeiten Sie besser und sicherer im angegebenen Leistungsbereich.

- b) Benutzen Sie kein Elektrowerkzeug, dessen Schalter defekt ist. Ein Elektrowerkzeug, das sich nicht mehr ein- oder ausschalten lässt, ist gefährlich und muss repariert werden.
- c) Ziehen Sie den Stecker aus der Steckdose und/oder entfernen Sie den Akku, bevor Sie Geräteeinstellungen vornehmen, Zubehörteile wechseln oder das Gerät weglegen. Diese Vorsichtsmaßnahme verhindert den unbeabsichtigten Start des Elektrowerkzeuges.
- d) Bewahren Sie unbenutzte Elektrowerkzeuge außerhalb der Reichweite von Kindern auf. Lassen Sie Personen das Gerät nicht benutzen, die mit diesem nicht vertraut sind oder diese Anweisungen nicht gelesen haben. Elektrowerkzeuge sind gefährlich, wenn sie von unerfahrenen Personen benutzt werden.
- e) Pflegen Sie Elektrowerkzeuge mit Sorgfalt. Kontrollieren Sie, ob bewegliche Teile einwandfrei funktionieren und nicht klemmen, ob Teile gebrochen oder so beschädigt sind, dass die Funktion des Elektrowerkzeuges beeinträchtigt ist. Lassen Sie beschädigte Teile vor dem Einsatz des Gerätes reparieren. Viele Unfälle haben ihre Ursache in schlecht gewarteten Elektrowerkzeugen.
- f) Halten Sie Schneidwerkzeuge scharf und sauber. Sorgfältig gepflegte Schneidwerkzeuge mit scharfen Schneidkanten verklemmen sich weniger und sind leichter zu führen.
- g) Verwenden Sie Elektrowerkzeug, Zubehör, Einsatzwerkzeuge usw. entsprechend diesen Anweisungen. Berücksichtigen Sie dabei die Arbeitsbedingungen und die auszuführende Tätigkeit. Der Gebrauch von Elektrowerkzeugen für andere als die vorgesehenen Anwendungen kann zu gefährlichen Situationen führen.

5) Service

a) Lassen Sie Ihr Elektrowerkzeug nur von qualifiziertem Fachpersonal und nur mit Original-Ersatzteilen reparieren. Damit wird sichergestellt, dass die Sicherheit des Elektrowerkzeuges erhalten bleibt.

Zusätzliche Sicherheitshinweise für Oberfräsen



! WARNUNG!

- Halten Sie das Werkzeug an den dafür vorgesehenen, isolierten Griffflächen um einen möglichen Elektroshock auszuschließen, falls durch das eigene oder andere Stromkabel geschnitten wird.
- Klemmen Sie das Werkzeug an eine stabile Arbeitsplatte. Beim Halten mit den Händen allein oder dem Körper kann es zum Kontrollverlust kommen.
- Sollte ein Auswechseln des Netzkabels erforderlich sein, darf dies nur vom Hersteller oder dessen zulässigen Kundenservice vorgenommen werden, um Sicherheitsrisiken zu vermeiden.
- Es wird dringend empfohlen, dieses Gerät nur unter Verwendung einer Fehlerstromschutzeinrichtung (FI-Schalter) mit einem Bemessungsfehlerstrom von höchstens 30 mA an die Spannungsversorgung anzuschließen.
- a. Verwenden Sie Sicherheitsausrüstung einschließlich Schutzbrille oder Gesichtsschutz, Gehörschützer und Staubschutzmaske sowie Schutzkleidung einschließlich Schutzhandschuhen.
- b. Lappen, Tücher, Kabel, Bindfäden, Seile u.ä. dürfen niemals im Arbeitsbereich liegengelassen werden.
- c. Stellen Sie sich vor Arbeitsbeginn sicher, dass die Netzspannung der auf dem Typenschild des Gerätes angegebenen Spannung entspricht.
- d. Stellen Sie bei Verwendung eines Verlängerungskabels sicher, dass sein Amperewert für das Elektrowerkzeug zulässig ist und sich in einem elektrisch sicheren Zustand befindet.
- e. Wickeln Sie Verlängerungskabel vollständig von der Kabeltrommel ab, um ein mögliches Überhitzen zu verhindern.
- f. Überprüfen Sie Wände, Decken und Böden stets auf verborgene Stromleitungen und Rohre.
- g. Vergewissern Sie sich, dass sämtliche Fremdkörper wie Nägel und Schrauben aus dem Werkstück entfernt wurden, bevor Sie die Arbeit aufnehmen.
- h. Lassen Sie Vorsicht im Umgang mit Fräsern walten, denn sie können äußerst scharf sein.
- i. Überprüfen Sie den Fräser vor dem Gebrauch sorgfältig auf Schäden und Risse. Ersetzen Sie beschädigte und rissige Fräser umgehend.
- j. Versichern Sie sich das Fräsensteile scharf und korrekt instandgehalten werden. Unschärfe Teile können zu unkontrollierbaren Situationen führen, den Motor überlasten oder abwürgen und zu Unfällen führen.
- k. Halten Sie die Oberfräse stets mit beiden Händen und stellen Sie sicher, dass sie fest in Ihren Händen liegt, bevor Sie mit der Arbeit beginnen.
- l. Halten Sie die Griffflächen stets trocken, sauber und frei von Öl und Fett um sicher das Werkzeug halten zu können.
- m. Schalten Sie das Gerät ein und lassen Sie es eine Weile laufen, bevor Sie einen Schnitt vornehmen. Achten Sie dabei auf mögliche Vibrationen oder ein „Wackeln“, welches auf einen unsachgemäß eingesetzten Fräser hinweisen kann.
- n. Seien Sie sich der Drehrichtung des Fräasers und der Vorschubrichtung bewusst.
- o. Halten Sie Ihre Hände von sich drehenden Geräte- und Zubehörteilen fern. Fassen Sie den Fräser mit Ihrer zweiten Hand am Zusatzgriff oder an den isolierten Griffflächen.
- p. Schalten Sie die Oberfräse niemals ein, wenn der Fräser das Werkstück berührt.
- q. Sorgen Sie dafür, dass die Eintauchfeder stets montiert ist, wenn das Gerät zum handgeführten Fräsen verwendet wird.
- r. Vergewissern Sie sich, dass der Fräser zum völligen Stillstand gekommen ist, bevor die Spannzange arretiert wird.
- s. Setzen Sie ausschließlich Fräser ein, die für den Höchstdrehzahlbereich des Werkzeuges geeignet sind.

DE

- t. Nach dem Einsatz können Fräser heiß sein. Berühren Sie das Gerät daher nicht unmittelbar nach dem Gebrauch.
- u. Bringen Sie den Fräser nicht in direkten Kontakt mit Brennstoffe.
- v. Achten Sie darauf dass die Größe des Fräsers mit dem des Spannungszehlers exakt übereinstimmt. Unsachgemäß eingesetzte Fräser rotieren ungleichmäßig und verursachen erhöhte Vibrationen, die zu einem Kontrollverlust führen können.
- w. Während das Gerät in Betrieb ist darf die Spindelarretierungstaste oder der Wahlschalter nicht bedient werden.
- x. Halten Sie einen konstanten Druck während Sie in ein Werkstück schneiden. Wenden Sie keine zusätzliche Kraft an die den Motor überlasten können, sondern lassen Sie den Fräser die Schnittgeschwindigkeit bestimmen.
- y. Achten Sie darauf dass Typenschilder und Sicherheitsetiketten auf dem Gerät gut lesbar sind und ersetzt werden wenn diese beschädigt oder verschmutzt sind.
- z. Bei Bedienung kann es dazu kommen das der Fräser sich im Werkstück festsetzt und einen Kontrollverlust verursacht. Halten Sie das Gerät stets fest und lassen Sie in solchen Fällen den An-/Ausschalter sofort los.
- Nachdem Sie die Oberfräse angeschaltet haben, achten Sie darauf dass der Fräser sich gleichmäßig bewegt d.h. kein „Wackeln“ verursacht und somit Vibrationen entstehen. Das Bedienen des Gerätes mit unsachgemäß eingesetztem Fräser kann zu Kontrollverlust und Verletzungen führen.
- Achten Sie unbedingt darauf, den Motor nicht zu überlasten, wenn Sie Fräser mit einem Durchmesser über 50 mm (2 Zoll) einsetzen. Sorgen Sie für eine sehr niedrige Vorschubgeschwindigkeit und/oder nehmen Sie mehrere Fräserdurchgänge mit jeweils geringer Spanabnahme vor, um eine Überlastung des Motors zu vermeiden.
- Warten Sie stets, bis der Fräser zum völligen Stillstand gekommen ist, bevor Sie das Gerät vom Werkstück abheben.
- Trennen Sie das Gerät stets vom Stromnetz, bevor Sie Einstellungen, Wartungsarbeiten o.ä. durchführen.

WARNUNG! Bei der Arbeit mit Elektrowerkzeugen kann Giftstaub erzeugt werden.

Werkstücke können chemisch behandelt worden sein und eine Gesundheitsgefahr darstellen. Natürliche und Verbundmaterialien können giftige Substanzen enthalten. Ältere Farben und Lacke enthalten mitunter Blei oder andere Schadstoffe. Setzen Sie sich durch die Arbeit mit einer Oberfräse erzeugtem Staub nicht über längere Zeiträume aus. Vermeiden Sie Haut- und Augenkontakt mit dem entstehenden Staub und nehmen Sie ihn keinesfalls mit dem Mund auf, um die Aufnahme gesundheitsschädlicher Stoffe zu verhindern. Arbeiten Sie nach Möglichkeit in gut belüfteter Umgebung. Verwenden Sie eine geeignete Staubschutzmaske und möglichst auch eine Entstaubungsanlage. Bei häufigerer Exposition ist es umso wichtiger, dass sämtliche Schutzmaßnahmen eingehalten und Schutzausrüstung mit höherem Schutzniveau verwendet wird.

Produktübersicht

1. Revolveranschläge
2. Spannungszehner
3. Tiefenanschlag
4. Seitliche Lüftungsschlitze
5. Flügelschraube zur Tiefenanschlagarretierung
6. Motor
7. Zurückschiebbare Schalterabdeckung
8. Ein-/Ausschalter
9. Kohlebürstenabdeckung
10. Drehzahlregler
11. Spannhebel zur Frästiefenarretierung
12. Schutzhauben
13. Montageknöpfe für Gleitplatte
14. Tischhöhen-Einstellkurbel
15. Staubabzugsstutzen
16. Automatische Spindelarretierung
17. Drehgriffing
18. Tiefenhub-Wahlschalter
19. Stellrad
20. Feinjustierung
21. Eintauchfederkappe
22. Anschlag
23. Spannzanze
24. Tischhöhen-Einstellkurbel
25. Spannungszehnerschlüssel
26. Zirkeleinheit
27. Gleitplatte

Abb. II

- A. 4 Schrauben mit ¼ UNC-Gewinde**
- B. 3 Schrauben mit M6-Gewinde**
- C. Tischkurbel Einkerbung**

24

Bestimmungsgemäße Verwendung

Handgeführte Präzisions-Oberfräse für den Einsatz von Fräseren mit 12 mm (½ Zoll) Aufnahmeschaft (von der installierten Spannzanze abhängig). Zum Profilieren und Anfertigen von Nuten, Kanten und Langlöchern in Naturholz und Holzverbundmaterial. Mit Kopierhülisen und Fräschablone/-lehren zum Anfertigen von Formen und Ausfräsen von Mustern kompatibel. Lässt sich unter Verwendung entsprechend geeigneter Frästischsysteme auch stationär montieren.

Auspacken des Gerätes

- Packen Sie Ihr Gerät vorsichtig aus und überprüfen Sie es. Machen Sie sich vollständig mit allen seinen Eigenschaften und Funktionen vertraut.
- Vergewissern Sie sich, dass sämtliche Teile des Gerätes vorhanden und in einwandfreiem Zustand sind. Sollten Teile fehlen oder beschädigt sein, lassen Sie diese ersetzen, bevor Sie das Gerät verwenden.

Vor Inbetriebnahme

⚠️ WARNUNG! Vergewissern Sie sich, dass das Gerät ausgeschaltet und vom Stromnetz getrennt ist, bevor Sie Zubehör auswechseln oder Einstellungen vornehmen.

Spannzanze und fräser anbringen

⚠️ WARNUNG: Tragen Sie während des Fräserwechsels zum Schutz vor scharfen Schneidkanten Schutzhandschuhe.

1. Trennen Sie das Gerät vom Stromnetz und lassen Sie den Motor (6) vollständig zum Stillstand kommen. Stellen Sie nun die Oberfräse umgekehrt auf eine ebene Grundfläche.
2. Stellen Sie die Oberfräse auf ihre maximale Frästiefe ein, indem Sie den Drehgriffregelmodus (17) (Abb. B) nach innen und drücken und das Stellrad (19) im Uhrzeigersinn drehen bis die Spannzanze (23) aus der Grundplatte herausragt.
- HINWEIS:** Vergewissern Sie sich, dass der Tiefenanschlag vollständig eingezogen ist (siehe „Tiefenanschlag und Revolver“). Die Spannzanze sollte nun durch die Grundplatte ragen, so dass der Zugang mit dem Spannanzenschlüssel leicht möglich ist.
3. Lösen Sie die Spannzanze, indem Sie den mitgelieferten Spannanzenschlüssel (25) im Gegenurzeigersinn drehen, bis diese entfernt werden kann.
4. Wählen Sie die gewünschte Spannzanze und befestigen Sie diese im Spannungszehner (2), indem sie die Spannzanze im Uhrzeigersinn drehen.
5. Stecken Sie den Fräser in die Spannzanze. Achten Sie dabei darauf, dass mindestens 20 mm oder die Hälfte des Schatts (je nachdem, welcher Wert größer ist) in die Spannzanze gesteckt wird. Die Spannzanze kann nun mit dem mitgelieferten Spannanzenschlüssel festgezogen werden (Abb. C). Sobald die Spannanzverriegelung greift, drehen Sie den Gabelschlüssel im Uhrzeigersinn, um den Fräser festzuziehen.
6. Bringen Sie die Oberfräse wieder in eine normale Frästiefe. Dadurch wird die Spannanzverriegelung gelöst und die zurückschiebbare Schalterabdeckung freigegeben, so dass der Ein-/Ausschalter (8) zugänglich wird.

Staubabzugsstutzen

Hinweis: Die Triton-Oberfräse verfügt über einen Staubabzugsstutzen (15) zur Spanabfuhr über dem Frätschnitt. An diesen Stutzen lässt sich ein Schlauch mit einem Außendurchmesser von 38 mm (1-½ Zoll) anschließen, wie er im Lieferumfang des Triton-Staubsammelbehälters (Art.-Nr. DCA300) enthalten ist.

- Der Schlauch wird über ein Linksgewinde (d.h. gegen den Uhrzeigersinn) angeschraubt.

Zubehör zur spanabsaugung

- Zur effektiven Spanabsaugung entlang des Fräsbereichs kann ein Absaugtrichter angebracht werden, der als Sonderzubehör von Ihrem Triton-Fachhändler erhältlich ist. Der Absaugtrichter lässt sich an Schläuche mit einem Außendurchmesser von 38 mm (1-½ Zoll) anschließen (Abb. E).

Installation der gleitplatte und des anschlages

1. Lösen Sie die Montageknöpfe (13) völlig, dies ermöglicht den Montagestutzen in die Sicherungslöcher der Gleitplatte (27) einzurasten.
2. Drehen Sie die Oberfräse und die Gleitplatte verkehrt herum.
3. Drücken Sie die Schraubenköpfe der Montageknöpfe nach innen, um die Montagestutzen freizulegen.
4. Richten Sie nun die Montagestutzen auf die Sicherungslöcher in der Gleitplatte aus und schieben Sie die Stutzen in die Schlüsselochschlitze (Abb. K).
- HINWEIS:** Die Oberfräse kann entweder mit der längsseitigen Auskrugung auf der rechten oder auf der linken Seite montiert werden, je nachdem, wo der Anschlag benötigt wird. Achten Sie darauf, dass sich der Ein-/Ausschalter (8) auf der Seite mit der geringeren Auskrugung befindet, wenn Sie Kantearbeiten durchführen möchten.
5. Ziehen Sie die Montageknöpfe der Oberfräse anschließend fest an, um die Gleitplatte an die Oberfräse zu sichern.

6. Um den Anschlag (22) anzubringen, lösen Sie die Anschlagknöpfe durch ein paar Umdrehungen und schieben Sie den Anschlag in der Gleitplattenschiene entlang (Abb. L). Fixieren Sie ihn in der gewünschten Stellung, indem Sie beide Anschlagknöpfe anziehen.

Hinweis: Bringen Sie den Anschlag zum Fräsen von Nuten, die nicht an einer Kante liegen, an der Gleitplattenseite mit der größeren Auskrugung an.

Hinweis: Bringen Sie den Anschlag bei Kantearbeiten mit einem Fräser ohne Anlaufleger an der Seite mit der geringeren Auskrugung an (Abb. J).

Hinweis: Falls Sie Fräser mit sehr großem Durchmesser verwenden, ist es gegebenenfalls notwendig, mithilfe der Schraubenlöcher Holzblöcke an den Anschlagflächen zu befestigen, um so zu verhindern, dass der Fräser den Anschlag berührt.

Bedienung

⚠️ WARNUNG! Tragen Sie STETS Augenschutz, ausreichenden Atem- und Gehörschutz, sowie geeignete Schutzhandschuhe, wenn Sie mit diesem Gerät arbeiten.

Ein- und ausschalten des gerätes

Hinweis: Bei Anschluss der Oberfräse an das Stromnetz leuchtet der Ein-/Ausschalter (8) sowohl in der „Ein“- , als auch in der „Aus“-Stellung.

Hinweis: Die zurückschiebbare Schalterabdeckung (7) verhindert ein unbeabsichtigtes Einschalten der Oberfräse und muss zurückschoben werden, bevor die Oberfräse eingeschaltet werden kann. Die Abdeckung bleibt so lange offen, bis die Oberfräse ausgeschaltet wird.

1. Vergewissern Sie sich, dass die Oberfräse sich in maximaler Entfernung befindet und das der Fräser nicht mit Fremdkörpern in Kontakt kommen kann.
2. Schließen Sie das Gerät an eine Stromquelle an und schieben Sie die zurückschiebbare Abdeckung zurück, um den Ein-/Ausschalter freizulegen.
3. Drücken Sie den Ein-/Ausschalter in die „I“ Position um die Oberfräse einzuschalten. Die Abdeckung bleibt während des Betriebs des Gerätes offen.
4. Drücken Sie den Ein-/Ausschalter in die „0“ Position um das Gerät auszuschalten. Die zurückschiebbare Schalterabdeckung schiebt sich nun in seine normale Position zurück.

Drehzahlregelung

Hinweis: Die genauen Drehzahlstellungen der Oberfräse sind nicht ausschlaggebend; allgemein gilt, dass die höchste Drehzahl, die nicht zu Brandspuren auf dem Werkstück führt, gewählt werden sollte. Richten Sie sich stets nach den maximalen Drehzahlbegrenzungen des Fräser-Herstellers, sofern angegeben.

- Ein Betrieb bei reduzierter Drehzahl erhöht die Gefahr einer Beschädigung der Oberfräse durch Überlastung. Wählen Sie besser sehr langsame Vorschubgeschwindigkeiten und/oder nehmen Sie mehrere flache Fräschnitte vor.
- Der Drehzahlregler (10) ist mit den Ziffern 1 bis 5 gekennzeichnet, die ungefähr den nachstehenden Drehzahlen und Fräserdurchmessern entsprechen. Stellen Sie die gewünschte Drehzahl am Drehzahlregler ein.

Frästiefe einstellen

Hinweis: Um den Fräser auf eine bestimmte Schnitttiefe einstellen zu können, senken Sie den Fräserkopf und drehen den Spannhebel zur Frästiefenarretierung (11) auf die untere Position. Dies hält den Fräserkopf in Position.

- Je nach gewünschter Genauigkeit und Steuerungsmöglichkeit kann zwischen drei unterschiedlichen Frästiefeneinstellungen gewählt werden.

Einstellung	min ⁻¹	Fräserdurchmesser
5	21.000	Bis 25 mm (1 Zoll)
4	18.000	25 – 50 mm (1 Zoll – 2 Zoll)
3	14.500	50 – 65 mm (2 Zoll – 2-½ Zoll)
2	11.000	Über 65 mm (2-½ Zoll)
1	8.000	Nur bei Brandspuren verwenden

Freies eintauchen

1. Freie Tauchtiefeneinstellungen können mit Hilfe des gedrückten Tiefenhub-Wahlschalters (18) vorgenommen werden. Drücken Sie den Tiefenhub-Wahlschalter im Haltegriff nach innen bis dieser eingerastet ist (Abb. A).
2. Geben Sie den Spannhebel der Frästiefenarretierung (11) frei und drücken Sie den Gerätekörper der Oberfräse auf die gewünschte Tiefe. Nun den Spannhebel der Frästiefenarretierung wieder feststellen.

Stellradeinstellungen

1. Tauchtiefeneinstellungen können durch Drehen des Stellrades (19) vorgenommen werden.
2. Geben Sie den Tiefenhub-Wahlschalter (18) frei und achten Sie darauf, dass der Schalter mit dem Stellrad bündig steht.
3. Um das Stellrad freizugeben, ziehen Sie den Drehgriffing (17) nach innen (Abb. B).
4. Lösen Sie den Spannhebel der Frästiefenarretierung (11) und drehen das Stellrad bis die gewünschte Schnitttiefe erreicht ist. Geben Sie den Drehgriffing frei und schließen Sie den Spannhebel zur Frästiefenarretierung wieder.

Feinjustierung

Nur im Drehgriffregelungs- (19) Modus zu verwenden!

1. Lösen Sie den Tiefenhub-Wahlschalter (18) und achten Sie darauf, dass der Spannhebel zur Frästiefenarretierung (11) nicht arretiert ist.

HINWEIS: Wenn das Stellrad (19) gedreht wird, während der Spannhebel (11) arretiert ist, beginnt das Stellrad unter Klickgeräuschen leer zu laufen und die Frästiefe bleibt unverändert.

2. Drehen Sie das Stellrad (19) im Uhrzeigersinn, um die Frästiefe zu erhöhen und gegen den Uhrzeigersinn, um die Frästiefe zu verringern.

HINWEIS: Wenn die maximale Eintauchtiefe erreicht ist, ist beim Drehen des Stellrades ein stärkerer Widerstand spürbar und das Stellrad beginnt, unter Klickgeräuschen leer zu laufen.

3. Arretieren Sie den Spannhebel, insbesondere bei großen Frästiefen.

Tiefenanschlag und revolver

1. Der Tiefenanschlag (3) und Revolveranschlag (1) ermöglichen ein exaktes Einstellen von bis zu drei verschiedenen Frästiefen.

2. Lösen Sie die Flügelschraube zur Tiefenanschlagsarretierung (5) und führen Sie den Tiefenanschlag (3) völlig zurück, danach die Flügelschraube wieder fest anziehen (Abb. F).

3. Stellen Sie den Revolveranschlag mit Hilfe der Skaleneinteilung des stationären Revolveranschlags auf die gewünschte Schnitttiefe ein (Abb. G).

Hinweis: Um die Revolver austauschen zu können, drehen Sie den Revolveraufbau soweit, bis dieser mit dem Tiefenanschlag ausgerichtet ist.

Setzen Sie den gewünschten Fräser in die Spannzange (23) und justieren Sie die Schnitttiefe, bis die Spitze des Fräsers das Werkstück berührt.

4. Rotieren Sie den Revolver bis der stationäre Revolveranschlag mit dem Tiefenanschlag ausgerichtet ist. Geben Sie den Anschlag frei und lassen sie ihn in Position einrasten, danach die Flügelschraube zur Tiefenanschlagsarretierung wieder anziehen. Die Tauchtiefe ist jetzt auf Nullposition eingestellt.

5. Drehen Sie die Revolveranschläge bis die gewünschte Tauchtiefe mit dem Tiefenanschlag ausgerichtet ist.

Kopierhülsen

Verschiedene Kopierhülsen zum Schablonenfräsen sind separat als Sonderzubehör von Ihrem Triton-Fachhändler erhältlich.

Handgeführtes fräsen

Hinweis: Fräsen Sie niemals im Freihandbetrieb ohne Führungsverrichtung wie beispielsweise einen Fräser mit Anlaufleger, den mitgelieferten Führungsanschlag oder einer Art Parallelanschlag (ABB. I).

1. Verwenden Sie stets beide Hände zur Bedienung der Oberfräse und sorgen Sie dafür, dass Ihr Werkstück fest eingespannt ist, um ein Verrutschen während der Bearbeitung zu verhindern.

2. Lassen Sie die Oberfräse auf ihre volle Betriebsdrehzahl anlaufen.

3. Senken Sie den Fräser in das Werkstück und bewegen Sie die Oberfräse nun langsam nach vorne, während Sie die Grundplatte flach an das Werkstück halten.

4. Beim Kanten bearbeiten sollte der Schnitt links der Schnittrichtung verlaufen (Abb. I). Halten Sie einen konstanten Druck und lassen Sie den Fräser langsam durch das Werkstückmaterial durcharbeiten. Bitte beachten Sie dass der Fräser bei Aststellen oder anderen Unregelmäßigkeiten ein wenig länger braucht.

Hinweis: Um ein Zerbrechen des Fräsers zu vermeiden führen Sie äußere Schnitte im Gegenuhrzeigersinn und innere Schnitte im Uhrzeigersinn durch.

Hinweis: Ein zu schnelles Führen des Fräsers durch das Werkstück, führt zu schlechten Fräsergebnissen und ein Überhitzen des Motors (6), ein zu langsames Bewegen des Fräsers kann zur Überhitzung des Werkstückes führen.

Hinweis: Im Normalbetrieb wird die Fräserspitze in das Werkstück getaucht, nachdem die Oberfräse eingeschaltet wurde.

Hinweis: Betreiben Sie die Oberfräse nicht umgedreht, es sei denn, sie ist fest an einem Frästisch (z.B. von Triton) mit ausreichend funktionstüchtigen Schutzvorrichtungen montiert.

Ausführung mehrerer fräsdurchgänge

1. Der Revolveranschlag (1) ermöglicht dem Benutzer die Ausführung von maximalen Schnitttiefen durch eine Reihe von Fräsdurchgängen. Jeder dieser Durchgänge kann am Revolver voreingestellt werden, indem das Rändelrädchen des Revolveranschlags justiert wird.
2. Rotieren Sie den Revolveranschlag bis der Tiefenanschlag den voreingestellten höchsten Stand des Revolvers berührt, wenn sich die Oberfräse im Tauchmodus befindet. Der erste Fräsdurchgang kann jetzt durchgeführt werden.
3. Führen Sie weitere Fräsdurchgänge durch, indem Sie den Revolveranschlag rotieren und Sie die Revolveranschlagstiefe für jeden der Durchgänge justieren, falls dies notwendig ist, bis die gewünschte Schnitttiefe erreicht ist.

Kreisbögen fräsen

1. Montieren Sie die Gleitplatte (27) ohne den Anschlag (22) an der Oberfräse.
2. Nehmen Sie die Zirkel Einheit (26) aus der Gleitplatte und bringen Sie sie mithilfe eines kleinen Nagels oder einer Schraube, der/die durch eines der Löcher in der Zirkel Einheit geführt wird (Abb. M), mittig auf Ihrem Werkstück an. Belassen Sie die Schraube der Zirkel Einheit in dieser Position.
3. Senken Sie die Oberfräse und Gleitplatte über der Zirkel Einheit ab und bringen Sie die Unterlegscheibe und die Flügelmutter wieder an (Abb. N).

- Führen Sie die Oberfräse in ausgeschaltetem Zustand an der Kreislinie entlang, um den Bogen zu überprüfen. Nehmen Sie gegebenenfalls notwendige Einstellungsänderungen vor.
- Fräsen Sie den Kreisbogen in mehreren Arbeitsdurchgängen und erhöhen Sie die Frästiefe bei jedem Durchgang um beispielsweise 2 mm. Nehmen Sie den Schnitt nicht in nur einem tiefen Fräsdurchgang vor.
- Durchtrennen des Werkstücks: Wenn Sie das Werkstück ganz durchtrennen möchten, befestigen Sie ein zweites Brett aus Restmaterial an der Unterseite Ihres Werkstücks. Fräsen Sie den Kreisbogen zunächst größer als benötigt. Wenn das Werkstück ganz durchtrennt ist, verringern Sie den Durchmesser und arbeiten Sie sich mit schmalen Fräsdurchgängen in der gesamten Tiefe zum gewünschten Durchmesser vor.

Stationäres arbeiten

⚠️ WARNUNG! Beim Einsatz mit dem TWX7RT001-Frästischmodul ist der maximale Durchmesser des Fräasers 50 mm. Dies ist durch die Technischen Daten des Workcenters beschränkt.

Hinweis: Die Montage und Bedienung dieser Oberfräse auf einem Frästisch muss entsprechend der mit dem Frästisch mitgelieferten Produktliteratur erfolgen.

Hinweis: Diese Oberfräse wurde zwar für einen effizienten und komfortablen Betrieb auf den meisten Frästischen konzipiert, eignet sich aber besonders für den Triton-Frästisch RTA300, den TWX7-Workcenter und das Frästisch-Einsatzmodul TWX7RT001.

Hinweis: Die Einstellung der Frästiefe ist dank der, in dieser Bedienungsanleitung beschriebenen, einzigartigen Funktionen dieser Oberfräse sehr einfach. Beziehen Sie sich hierbei auf „Spannzangen und Fräser“ anbringen und „Frästiefe einstellen“.

Hinweis: Bevor Sie die Oberfräse an einen Frästisch installieren muss die Eintauchfeder entfernt werden.

- Stellen Sie den Eintauchbereich der Oberfräse ganz nach oben und arretieren Sie den Spannhelb der Frästiefenarretierung (11).
 - Lösen Sie die kleine Schraube neben der Eintauchfederkappe (21) mit ein paar Umdrehungen.
 - Halten Sie die Kappe gut fest, während die Spannung von der Feder genommen wird, um ein Herauspringen der Kappe zu verhindern. Drehen Sie die Kappe ein wenig gegen den Uhrzeigersinn und nehmen Sie sie ab (Abb. 0).
 - Entfernen Sie die Feder und bewahren Sie sie an einem sicheren Ort auf.
 - Setzen Sie die Eintauchfederkappe wieder ein und ziehen Sie die Schraube an.
- HINWEIS:** Vergewissern Sie sich, dass die Eintauchfeder wieder angebracht ist, wenn die Oberfräse im Freihandbetrieb verwendet werden soll.

Zugang zu den schraubköpfen in der grundplatte

- Um die Oberfräse an einen Frästisch oder an eine Werkbank zu montieren, entfernen Sie die vier Schrauben in der Grundplatte der Oberfräse, wie in Abbildung Q gezeigt wird und entfernen die Grundplatte.
- Beigefügt sind zwei Arten von Schraubgewinde, wie in Abbildung II zu sehen sind. Vier Schrauben mit -1/4 UNC Gewinde (A), welche zur Befestigung der Grundplatte sowie für die Tischmontage verwendet werden können. Dazu ein Satz von drei Schrauben mit M6-Gewinde (B).

Hinweis: Die M6-Gewindeschrauben sind nicht Bestandteil bei früheren Modellen der TRA001 Oberfräse.

Zubehör

- Eine breite Auswahl an Zubehör, inklusive Fräseinsätze ist für dieses Gerät von Ihrem Triton-Fachhändler erhältlich. Ersatzteile wie z. Bsp. Kohlebürsten, Kopierhülsen und Spannzangen sind ebenfalls von Ihrem Triton-Fachhändler erhältlich oder können unter www.toolsparesonline.com bestellt werden.

Instandhaltung

⚠️ WARNUNG: Trennen Sie das Gerät stets von der Spannungsversorgung, bevor Sie Wartungs- oder Reinigungsarbeiten ausführen.

Allgemeine Überprüfung

- Überprüfen Sie alle Befestigungsschrauben in regelmäßigen Abständen auf festen Sitz, da sie sich mit der Zeit durch Vibration lockern können.
- Kontrollieren Sie das Netzkabel des Gerätes vor jedem Gebrauch auf Schäden und Verschleiß. Reparaturen müssen durch eine zugelassene Triton-Reparaturwerkstatt erfolgen. Dies gilt auch für mit dem Gerät verwendete Verlängerungskabel.

Reinigung

⚠️ WARNUNG! Tragen Sie während der Reinigung dieses Gerätes stets Schutzausrüstung einschließlich Schutzbrille und Schutzhandschuhe.

- Halten Sie Ihr Gerät stets sauber. Durch Staub und Schmutz verschleifen die inneren Teile schnell und die Lebensdauer des Gerätes wird verkürzt.
- Säubern Sie das Gerätegehäuse mit einer weichen Bürste oder einem trockenen Tuch.
- Reinigen Sie Kunststoffteile niemals mit Ätzmitteln. Falls eine Trockenreinigung nicht ausreichend ist, sollte ein mildes Reinigungsmittel auf einem feuchten Lappen verwendet werden.
- Das Gerät darf niemals mit Wasser in Berührung kommen.
- Vergewissern Sie sich vor dem erneuten Gebrauch, dass das Gerät wieder vollkommen trocken ist.

- Die Entlüftungsöffnungen gegebenenfalls mit sauberer, trockener Druckluft reinigen, sofern verfügbar.

Schmierung

- Schmieren Sie alle beweglichen Teile in regelmäßigen Abständen leicht mit einem geeigneten Sprühshmiermittel.

Kohlebürsten

- Mit der Zeit unterliegen die Kohlebürsten des Motors (6) dem Verschleiß.
- Wenn der Verschleiß der Bürsten fortgeschritten ist, kann dadurch die Motorleistung abnehmen, die Maschine kurzzeitig ausfallen oder es kann zu sichtbarer Funkenbildung kommen.
- Nehmen Sie zum Wechseln der Kohlebürsten die beiden Kohlebürstenkappen (9) ab. Überprüfen Sie, dass die Schleiffläche sauber ist. Die abgenutzten Bürsten können nun vorsichtig gegen die neuen ausgetauscht werden (Abb. P). Bringen Sie anschließend beide Bürstenkappen wieder an.
- Lassen Sie die Fräse nach dem Einsetzen neuer Kohlebürsten zwei bis drei Minuten im Leerlauf laufen, damit sich die Kohlen einschleifen können. Dieser Vorgang ist oft erst nach mehrmaliger Inbetriebnahme des Gerätes vollständig abgeschlossen. Bis sich die Kohlebürsten eingeschlifffen haben, kann es weiterhin zu Funkenbildung kommen.
- Das Gerät kann stattdessen auch von einem zugelassenen Vertragskundendienst gewartet werden.

Lagerung

- Gerät an einem sicheren, trockenen Ort außerhalb der Reichweite von Kindern lagern.

Entsorgung

Beachten Sie bei der Entsorgung von defekten und nicht mehr reparablen Elektrowerkzeugen die geltenden Vorschriften und Gesetze.

- Elektrowerkzeuge und andere elektrische und elektronische Altgeräte nicht über den Hausmüll entsorgen.
- Lassen Sie sich von der zuständigen Behörde bezüglich der ordnungsgemäßen Entsorgung von Elektrowerkzeugen beraten.

Fehlerbehebung

Störung	Mögliche Ursache	Lösung
Oberfräse funktioniert nicht wenn der Ein-/Ausschalter (8) betätigt wird	Keine Stromversorgung	Stromversorgung überprüfen
	Defekter Ein-/Ausschalter	Lassen Sie den Ein-/Ausschalter durch einen zugelassenen Triton-Kundenservice austauschen
Falsches Schnittprofil	Tiefenschlag (3) nicht richtig eingestellt	Achten Sie darauf, dass der Tiefenschlag mit der durch die Revolveranschläge (1) zulässigen, maximalen Anzahl an Schnitten übereinstimmt.
	Falsch eingesetzter oder loser Fräser / Spannzange	Fräser oder Spannzange anziehen
Oberfräse läuft nicht	Keine Stromversorgung	Stromversorgung überprüfen
	Kohlebürsten abgenutzt oder klemmen	Gerät vom Stromnetz trennen und Kohlebürstenabdeckung (9) entfernen. Kohlebürsten überprüfen und gegebenenfalls austauschen
	Schalter defekt	Lassen Sie den Ein-/Ausschalter durch einen zugelassenen Triton-Kundenservice austauschen
	Motorkomponenten defekt oder kurzgeschlossen	Lassen Sie das Gerät durch einen zugelassenen Triton-Kundenservice warten
Oberfräse läuft oder schneidet langsam	Unschärfe oder beschädigte Fräser	Fräser schärfen oder austauschen
	Drehzahlregler (10) zu niedrig eingestellt	Drehzahleinstellung erhöhen
	Motor ist überlastet	Druck auf die Oberfräse reduzieren
Übermäßige Vibration	Falsch eingesetzter oder lockerer Fräser	Fräser neu einsetzen und anziehen
	Fräserschaft ist verbogen	Fräser ersetzen
Übermäßige Funkenbildung im Motorgehäuse	Bürsten bewegen sich nicht frei	Netzstecker ziehen, Bürsten ausbauen und säubern oder ersetzen
	Beschädigter oder verschlissener Motor	Lassen Sie das Gerät durch einen zugelassenen Triton-Kundenservice warten
Stellrad „klickt“ und lässt sich nicht einstellen	Spannhebel der Frästiefe ist arretiert	Spannhebel zur Frästiefenarretierung lösen
	Ende des Einstellbereichs erreicht	Oberfräse zurücksetzen
Ungewöhnliche Geräusche	Mechanisches Hindernis	Suchen Sie die nächstgelegene Reparaturwerkstatt auf (siehe www.tritontools.com)
	Anker hat interne Kurzschlüsse	

Garantie

Zur Anmeldung Ihrer Garantie besuchen Sie bitte unsere Website www.tritontools.com und tragen dort Ihre persönlichen Daten ein. Ihre Angaben werden (wenn nicht anders angewiesen) in unseren elektronischen Verteiler aufgenommen, damit Sie Information über zukünftige Produkteinführungen erhalten. Die von Ihnen bereitgestellten Angaben werden nicht an Dritte weitergegeben.

Kaufinformation

Kaufdatum: ___ / ___ / ___

Modell: TRAD01

Bewahren Sie bitte Ihren Beleg als Kaufnachweis auf.

Triton garantiert dem Käufer dieses Produkts, dass Triton, wenn sich Teile dieses Produkts innerhalb von 3 Jahren ab Originalkaufdatum infolge fehlerhafter Materialien oder Arbeitsausführung als defekt erweisen, das mangelhafte Teil nach eigenem Ermessen entweder kostenlos reparieren oder ersetzen wird.

Diese Garantie gilt nicht für kommerzielle Verwendung und erstreckt sich nicht auf normalen Verschleiß oder Schäden infolge von Unfall, Missbrauch oder unsachgemäßer Verwendung.

*Bitte registrieren Sie sich innerhalb von 30 Tagen nach dem Kauf online.

Es gelten die allgemeinen Geschäftsbedingungen.

Ihre gesetzlich festgelegten Rechte werden dadurch nicht eingeschränkt.

CE-Konformitätserklärung

Name des Unterzeichners: Mr. Darrell Morris

Bevollmächtigt durch: Triton-Tools

Erklärt hiermit, dass das Produkt:

Ident.-Nr.: 330165

Produktbeschreibung: Doppelfunktions-Präzisionsoberfräse, 2400 W

Den folgenden Richtlinien und Normen entspricht:

- Maschinenrichtlinie 2006/42/EG
- Niederspannungsrichtlinie 2006/95/EC
- EMV-Richtlinie 2004/108/EC
- RoHS-Richtlinie 2011/65/EU
- EN60745-1:2006+A11:2010
- EN60745-2-17:2010
- EN55014-1:2006+A1+A2
- EN55014-2:1997+A1+A2
- EN61000-3-2:2006+A1+A2
- EN61000-3-3:2013

Benannte Stelle: TÜV Rheinland Co., Ltd

Techn. Unterlagen bei: Triton-Tools

Datum: 24.11.2015

Unterschiedlich von:



Mr. Darrell Morris

Geschäftsführender Direktor

Name und Anschrift des Herstellers:

Powerbox International Limited, Handelsregisternummer 06897059. Eingetragene Anschrift:

Central House, Church Street, Yeovil, Somerset BA20 1HH, Großbritannien

DE

Traduzione delle istruzioni originali

Introduzione

Grazie per aver acquistato questo accessorio Triton. Leggere queste istruzioni, che contengono informazioni necessarie per un uso sicuro ed efficace del prodotto. Questo prodotto dispone di diverse funzioni uniche; anche se si conoscono dispositivi simili, la lettura delle istruzioni consentirà di conoscere tutti i benefici del suo design unico. Conservare queste istruzioni a portata di mano e garantire che tutti gli utenti ne siano a conoscenza e le comprendano appieno.

Descrizione dei simboli

La targhetta di identificazione sul dispositivo presenta vari simboli. Questi simboli indicano informazioni importanti relativamente al prodotto o indicazioni per l'uso.



Usare la protezione acustica
Indossare occhiali protettivi
Indossare protezione respiratoria
Indossare il casco



Indossare la protezione delle mani



Leggere il manuale di istruzioni



Attenzione!



Avvertenza: Lame affilate o denti appuntiti!



NON usare se esposti alla pioggia o in ambienti umidi!



Scollegare sempre dalla sorgente di alimentazione in fase di regolazione, sostituzione degli accessori, pulizia, esecuzione degli interventi di manutenzione e quando il dispositivo non è in uso.



Sistema di estrazione della polvere richiesto o consigliato



Costruzione di classe II (doppio isolamento per conferire una protezione ancora maggiore)



Protezione Ambientale I rifiuti di prodotti elettrici non devono essere smaltiti con i rifiuti domestici. Nel caso in cui esistano strutture, provvedere al riciclaggio. Verificare con le autorità locali o il rivenditore per consigli sul riciclaggio.



Conforme alle normative pertinenti e gli standard di sicurezza

Specifiche Tecniche

Numero modello:	TRA001
Tensione:	220 - 240V - 50Hz, 9.1A
Potenza:	2400W
Velocità in assenza di carico:	8,000 - 21,000min-1
Anello metallico:	½" Zoll & 12mm
Diametro massimo del cutter:	55mm (50mm se usato con WX7RT001)
Dimensioni massime dell'anello metallico:	½" (imperiale), 12mm (metrico)
Regolazione dell'altezza:	1) Immersione libera 2) Avvolgitore d'altezza 3) Micro avvolgitore (Regolazione di precisione)
Gamma di immersione:	0-68mm
Protezione ingresso:	IP20
Classe di protezione:	□
Lunghezza del cavo di alimentazione:	3m
Dimensioni (L x P x H):	180 x 300 x 310mm
Peso:	6.3kg
Nell'ambito del nostro sviluppo continuo del prodotto, le specifiche dei prodotti Triton possono subire variazioni senza preavviso.	
Informazioni su rumori e vibrazioni:	
Pressione sonora L_{wa}:	85.5dB(A)
Potenza sonora L_{wa}:	96.5dB(A)
Tolleranza K:	3dB
Vibrazione ponderata a_{wv}:	4.795m/s ²
Unsicherheit K:	1,5 m/s ²
Il livello di intensità sonora per l'operatore potrebbe superare gli 85dB(A) e potrebbe quindi essere necessario indossare protezioni per l'udito.	

AVVERTENZA: Indossare sempre una protezione uditiva nel caso in cui il livello sonoro superi gli 85dB(A) e, ove necessario, limitare il limite dell'esposizione. Qualora i livelli sonori risultino fastidiosi, anche indossando le apposite protezioni, interrompere immediatamente l'uso del dispositivo e controllare che le protezioni acustiche siano inserite nel modo adeguato e forniscano il livello adeguato di attenuazione sonora rispetto al livello sonoro prodotto dal dispositivo.

AVVERTENZA: L'esposizione dell'utente alle vibrazioni del dispositivo può causare la perdita di tatto, intorpidimento, pizzicore e riduzione dell'abilità di impugnare oggetti. L'esposizione a lungo termine può causare condizioni croniche. Ove necessario, limitare il periodo di esposizione alle vibrazioni o indossare quanti anti-vibrazioni. Non usare il dispositivo con le mani sotto a una temperatura accettabile, dato che le vibrazioni avranno un impatto maggiore. Usare le cifre indicate nella specifica relativa alle vibrazioni per calcolare la durata e la frequenza di funzionamento del dispositivo.

I livelli sonori e i livelli delle vibrazioni indicati nella specifica sono determinati conformemente a EN60745 o a standard internazionali simili. Le cifre indicano un uso normale dello strumento in condizioni operative normali. Uno strumento a cui viene applicata scarsa manutenzione, montato in modo errato o utilizzato in modo anomalo, può produrre livelli più elevati di rumore e vibrazioni. www.osha.europa.eu fornisce informazioni sui livelli sonori e sui livelli di vibrazioni sul posto di lavoro, informazioni che si potrebbero rivelare utili agli utenti domestici che si servono di questi strumenti per lunghi periodi di tempo.

Istruzioni generali di sicurezza

AVVERTENZA: Leggere tutte le avvertenze e le istruzioni di sicurezza. Il mancato rispetto delle avvertenze e delle istruzioni può causare scosse elettriche, incendi e/o gravi lesioni.

AVVERTENZA: L'apparecchiatura non è stata progettata per essere usata da persone (compresi bambini), con capacità fisiche o mentali ridotte o non in possesso dell'esperienza o delle conoscenze, eccetto nel caso in cui queste persone siano supervisionate o abbiano ricevuto istruzioni relativamente all'uso del dispositivo da parte di una persona responsabile della loro sicurezza. Sarà necessario supervisionare i bambini per evitare che giochino con questo dispositivo.

Conservare tutte le avvertenze e le istruzioni per poterle consultare in futuro.

Il termine "dispositivo a corrente" nelle avvertenze riguarda gli attrezzi che fanno uso della corrente (con cavo) oppure di batterie (senza cavo).

1) Sicurezza dell'area di lavoro

a) Tenere l'area pulita e ben illuminata. Le aree con oggetti collocati alla rinfusa o le aree buie possono essere fonte di incidenti.

b) Non usare i dispositivi alimentati a corrente in atmosfere esplosive, ad esempio alla presenza di liquidi infiammabili, gas o polveri. I dispositivi alimentati a corrente creano scintille che potrebbero accendere le polveri o i fumi.

c) Tenere i bambini e i passanti alla larga mentre vengono utilizzati dispositivi alimentati a corrente. Le distrazioni possono far perdere il controllo del dispositivo.

2) Sicurezza elettrica

a) Le spine dei dispositivi alimentati a corrente devono corrispondere alle prese di corrente. Non modificare mai la spina. Non usare adattatori con nessun dispositivo alimentato a corrente dotato di messa a terra (massa). L'uso di spine non modificate e prese adeguate ridurrà il rischio di scosse elettriche.

b) Evitare il contatto del corpo con superfici messe a terra quali ad esempio tubi, radiatori, forneli e frigoriferi. Se il corpo dispone di una messa a terra, aumenta il rischio di scosse elettriche.

c) Non esporre gli accessori a pioggia o condizioni di umidità. Qualora dell'acqua dovesse entrare in un dispositivo alimentato a corrente, ciò aumenterà il rischio di scosse elettriche.

d) Non usare il cavo in modo anomalo. Non usare mai il cavo per trascinare, tirare o scolliegare il dispositivo alimentato a corrente. Tenere il cavo lontano da fonti di calore, olio, spigoli appunti o parti mobili. I cavi danneggiati o impigliati aumentano il rischio di scosse elettriche.

e) Quando i dispositivi alimentati a corrente vengono usati all'aria aperta, usare una prolunga adeguata a tal fine. L'uso di un cavo idoneo per l'utilizzo all'aperto riduce il rischio di scosse elettriche.

f) Qualora non sia possibile non usare il dispositivo in zone umide, servirsi di una sorgente di alimentazione protetta da un dispositivo di corrente residua. L'uso di dispositivi di corrente residua riduce il rischio di scosse elettriche.

3) Sicurezza personale

a) Restare sempre attenti, osservare ciò che si sta facendo e applicare il buon senso ogni volta che viene utilizzato un dispositivo alimentato a corrente. Non usare questi dispositivi quando si è stanchi o sotto l'effetto di droghe, sostanze alcoliche o farmaci. Mentre si sta utilizzando un dispositivo alimentato a corrente, un momento di disattenzione può causare gravi lesioni personali.

b) Servirsi della strumentazione di protezione personale. Indossare sempre gli occhiali di protezione. L'uso di strumentazione di protezione personale, come ad esempio maschere anti-polvere, scarpe di sicurezza anti-scioglimento, elmetti rigidi o protezioni per l'udito, usate nelle condizioni adeguate, contribuiscono a limitare le lesioni personali.

c) Evitare l'avvio del dispositivo in modo non voluto. Verificare che l'interruttore sia in posizione OFF prima di eseguire il collegamento alla sorgente di alimentazione e/o al pacco batteria, sollevare o trasportare lo strumento. Trasportare dispositivi col dito appoggiato sul pulsante di alimentazione, o mettere in funzione dispositivi in fase di trasporto può causare incidenti.

d) Togliere eventuali chiavi di regolazione prima di accendere il dispositivo. Una chiave di regolazione fissata a una componente girevole del dispositivo può causare lesioni personali.

e) Non spingersi troppo oltre. Restare sempre ben appoggiati a terra con i piedi e in perfetto equilibrio. In questo modo sarà possibile garantire un miglior controllo del dispositivo in caso di situazioni impreviste.

f) Indossare indumenti adeguati. Non portare indumenti o gioielli slegati. Tenere i capelli, gli indumenti e i guanti lontani dalle parti in movimento. Vestiti, gioielli o capelli lunghi sciolti possono restare impigliati nelle parti in movimento.

g) Qualora i dispositivi vengano forniti per essere collegati con sistemi di estrazione e raccolta delle polveri, verificare che i summenzionati dispositivi siano vengano collegati e usati in modo adeguato. L'uso di sistemi per la raccolta delle polveri può causare pericoli legati alle polveri stesse.

4) Uso e manutenzione del dispositivo alimentato a corrente

a) Non applicare forza sul dispositivo alimentato a corrente. Usare il dispositivo alimentato a corrente adeguato per la propria applicazione. Il dispositivo alimentato a corrente funzionerà in modo migliore e più sicuro se usato per lo scopo per cui è stato realizzato.

b) Non utilizzare il dispositivo alimentato a corrente se l'interruttore non funziona correttamente spostandosi su on ed off. I dispositivi alimentati a corrente che non è possibile controllare mediante l'interruttore sono pericolosi e devono essere riparati.

c) Scollegare la spina dalla presa di corrente e/o il pacco batterie dal dispositivo prima di intervenire, modificare o riporre gli i dispositivi alimentati a corrente. Queste misure di sicurezza preventiva consentono di ridurre il rischio di avviare per sbaglio il dispositivo alimentato a corrente.

d) Riporre i dispositivi alimentati a corrente a riposo fuori dalla portata dei bambini; non consentire a persone che non hanno familiarità con gli stessi di servirsi. I dispositivi alimentati a corrente sono pericolosi nelle mani di utenti non in possesso della formazione adeguata.

e) Manutenzione dei dispositivi alimentati a corrente. Controllare il mancato allineamento o l'inceppamento delle parti mobili, la rottura di altre componenti o altre condizioni che potrebbero influire sul funzionamento del dispositivo alimentato a corrente. Qualora sia danneggiato, far riparare il dispositivo alimentato a corrente prima dell'uso. Molti incidenti sono causati da dispositivi non regolarmente sottoposti a manutenzione.

f) Conservare gli strumenti di taglio affilati e puliti. Gli strumenti di taglio conservati in modo adeguato, con le estremità affilate hanno meno possibilità di incepparsi e sono più facili da controllare.

g) Usare il dispositivo alimentato a corrente, gli accessori e le punte, ecc. in conformità con queste istruzioni, prendendo in considerazione le condizioni lavorative e il lavoro da eseguire. L'uso dello strumento per operazioni diverse da quelle indicate potrebbe causare situazioni di pericolo

5) Assistenza

a) Rivolgersi a un tecnico qualificato per la riparazione del dispositivo; servirsi unicamente di pezzi di ricambio identici. In questo modo viene garantita la sicurezza dello strumento.

Informazioni di sicurezza aggiuntive per le fresatrici



AVVERTENZA!

• Tenere il dispositivo unicamente per le superfici di impugnatura isolate, dato che il cutter potrebbe entrare in contatto col cavo di alimentazione. Tagliare un cavo "sotto tensione" può esporre le componenti metalliche del dispositivo "sotto tensione", e potrebbe dunque trasmettere una scossa elettrica all'operatore.

• Usare delle pinze o altri metodi pratici per rendere sicuro e supportare il pezzo da sottoporre a lavorazione su una superficie stabile. Tenendo il pezzo in mano o appoggiato contro il corpo lo si rende instabile, e ciò potrebbe portare a una perdita di controllo del dispositivo stesso.

• Qualora sia necessario provvedere alla sostituzione del cavo di alimentazione, sarà opportuno rivolgersi al produttore o al suo agente al fine di evitare pericoli a livello di sicurezza.

• Consigliamo caldamente di alimentare sempre il dispositivo tramite un dispositivo di corrente residua con una corrente residua nominale pari o inferiore a 30 mA.

a) Servirsi di dispositivi di sicurezza, compresi occhiali o protezioni, protezioni per le orecchie, maschere anti-polvere e indumenti protettivi, compresi guanti di sicurezza,

b) Indumenti, cavi, lacci, ecc. non vanno mai lasciati nelle immediate vicinanze dell'area di lavoro.

c) Verificare che la tensione di alimentazione corrisponda alle specifiche del dispositivo.

d) Verificare che le eventuali prolunghesse usate col dispositivo siano in condizioni elettriche sicure, e che dispongano dell'ampereaggio adeguato per il dispositivo.

e) Svolgere completamente le prolunghesse per evitare potenziale surriscaldamento

f) Servirsi di rilevatori adeguati per capire se sotto alla superficie di lavoro vi sono linee elettriche, o tubazioni. Ove necessario, rivolgersi alle aziende di competenza per ricevere ulteriori informazioni in merito. Il contatto coi cavi elettrici può portare a scosse elettriche e incendio. Danneggiare una linea del gas può portare a un'esplosione. Il contatto con le linee idriche può portare a gravi danni a oggetti

g) Verificare che gli oggetti integrati quali ad esempio chiodi e viti siano stati rimossi dal pezzo da sottoporre a lavorazione prima di mettersi al lavoro

h) Trattare le frese con estrema cura dato che possono essere molto affilate

i) Prima dell'uso, controllare con attenzione la fresa al fine di verificare la presenza di segni di danno o usura. Sostituire immediatamente i codoli danneggiati o rotti

j) Verificare che i cutter/codoli della fresa siano affilati e sottoposti ad adeguata manutenzione. Le estremità taglienti sputate possono portare a perdita di controllo del dispositivo, compreso stallo, aumento del calore e possibili lesioni

k) Usare SEMPRE entrambe le impugnature e tenere saldamente la fresa prima di procedere con altri lavori

l) Tenere asciutte, pulite e senza olio e grasso le maniglie e le superfici dell'impugnatura, al fine di garantire che il dispositivo possa essere tenuto saldamente in fase di utilizzo.

m) Prima di usare il dispositivo per eseguire un taglio, accenderlo e lasciarlo funzionare per un po' di tempo. Le vibrazioni potrebbero indicare la presenza di una fresa non installata in modo adeguato.

n) Fare attenzione alla direzione di rotazione della punta nonché alla direzione di alimentazione

o) Tenere le mani lontane dall'area di fresatura e dal cutter della fresa. Tenere la maniglia ausiliaria o una superficie di taglio isolata con la seconda mano.

p) Non avviare MAI la fresa quando il cutter sta toccando il pezzo sottoposto a lavorazione

q) Verificare che la molla di immersione sia sempre inserita quando il dispositivo viene usato in modalità manuale

IT

- r) Verificare che il cutter si sia completamente fermato prima di passare all'immersione dell'anello metallico in posizione di blocco
- s) La velocità massima della fresa/cutter deve essere almeno altrettanto alta quanto la velocità massima del dispositivo alimentato a corrente
- t) Alcune parti della fresa si potrebbero riscaldare in fase di utilizzo. Non toccare immediatamente dopo l'uso per evitare il rischio di ustioni
- u) Non lasciare che le componenti entrino in contatto con materiali combustibili
- v) Le dimensioni del fuso della fresa/cutter devono corrispondere alle dimensioni esatte dell'anello metallico inserito nella fresa. Le fresa/cutter inserite in modo errato ruoteranno in modo irregolare, comportando un aumento delle vibrazioni. Ciò potrebbe anche portare a una perdita di controllo del dispositivo.
- w) **NON premere il pulsante di blocco dell'albero o cercare di portare il dispositivo in modalità sostituzione fresa mentre la fresa è in funzione.**
- x) Mantenere una pressione costante in fase di taglio del pezzo sottoposto a lavorazione, lasciando che sia il cutter della fresa a determinare la velocità di taglio. *NON forzare il dispositivo e non sovraccaricare il motore.*
- y) Verificare che le targhette e le avvertenze di sicurezza sul dispositivo restino facilmente accessibili. Provvedere alla loro sostituzione qualora siano rovinate o danneggiate
- z) In fase di funzionamento della fresa, prepararsi al fatto che il cutter della fresa rimanga in stallo sul pezzo da lavorare causando perdita di controllo. *Accertarsi sempre di impugnare saldamente la fresa e che in casi di questo tipo l'interruttore on/off venga rilasciato immediatamente*
- Dopo aver acceso la fresa, verificare che la stessa stia ruotando in modo uniforme (senza oscillare) e che non vi siano vibrazioni aggiuntive legate al fatto che la fresa non è stata installata correttamente. *L'uso della fresa con una fresa inserita in modo errato può portare a una perdita di controllo nonché a gravi lesioni*
- Prestare **ESTREMA** attenzione quando vengono usati cutter con un diametro superiore ai 2" (50mm). *Usare velocità di alimentazione molto basse e/o più tagli poco profondi per evitare di sovraccaricare il motore*
- Spegnerne **SEMPRE** e aspettare che la fresa sia completamente ferma prima di togliere la macchina dal pezzo sottoposto a lavorazione
- Scollegare dall'alimentazione prima di eseguire eventuali regolazioni, interventi di assistenza o manutenzione

AVVERTENZA: La polvere generata dall'uso di dispositivi alimentati a corrente può essere tossica. Alcuni materiali potrebbero essere trattati chimicamente o rivestiti e presentare un rischio di tossicità. Alcuni materiali naturali e composti potrebbero contenere sostanze chimiche tossiche. Alcune vernici meno recenti possono contenere piombo e altre sostanze chimiche. Evitare l'esposizione prolungata alla polvere generata dall'uso di una fresa. **NON** consentire alla polvere di depositarsi sulla pelle o sugli occhi e non consentire alla polvere di entrare nella bocca, al fine di evitare l'assorbimento di sostanze chimiche pericolose. *Ove possibile, lavorare in una zona ben ventilata. Usare una maschera anti-polvere adeguata e un sistema di estrazione della polvere, ove possibile. In caso di frequenze di esposizione più elevate, è ancora più importante attenersi a tutte le precauzioni di sicurezza nonché all'uso di un livello superiore di protezione personale.*

Acquisire familiarità col prodotto

1. Stop torretta
2. Mandrino
3. Stop profondità
4. Prese di ventilazione laterali
5. Manopola di blocco stop profondità
6. Motore
7. Copri-interruttore retrattile
8. Interruttore di alimentazione On/Off
9. Coperchi di accesso alla spazzola
10. Controller di velocità
11. Leva di blocco immersione
12. Protezioni di sicurezza
13. Manopole di montaggio della piastra di base
14. Punto di collegamento dell'avvolgitore di regolazione dell'altezza del banco
15. Porta dell'estrazione delle polveri
16. Blocco mandrino automatico
17. Anello di blocco impugnatura avvolgitore
18. Pulsante di selezione immersione
19. Maniglia avvolgitore
20. Micro avvolgitore
21. Cappuccio di accesso molla a immersione
22. Appoggio
23. Anello metallico
24. Avvolgitore d'altezza del banco
25. Chiave inglese
26. Montaggio perno di taglio cerchio
27. Piastra di base espansa

Figura II

- A. ¼ UNC x4
- B. M6 x3
- C. Rientro avvolgitore del banco

Usò Previsto

Fresa a immersione, dispositivo manuale di precisione, da usare con punte fino a ½" e 12 mm (a seconda dell'anello metallico installato). Usata per tagliare profili, scanalature, estremità e fori allungati su legno naturale e composto. Usare anche con boccole di guida e modelli per ricavare forme, seguire schemi, oltre che l'installazione stazionaria nei sistemi a fresa compatibili.

Disimballaggio dello strumento

- Disimballare con attenzione la fresatrice a immersione e procedere a un'ispezione. Acquisire familiarità con tutte le caratteristiche e funzioni
- Verificare che tutte le componenti del dispositivo siano presenti e in buone condizioni. Qualora eventuali componenti siano mancanti o danneggiate, provvedere alla sostituzione delle stesse prima di iniziare a usare il dispositivo

Prima dell'uso

AVVERTENZA: Verificare che il dispositivo sia scollegato dalla presa di corrente prima di fissare o sostituire eventuali accessori o eseguire eventuali regolazioni.

Installazione dell'anello metallico e del cutter

Nota: Indossare guanti protettivi in fase di inserimento e rimozione di fresa vicino alle estremità affilate dei cutter.

1. Collocare la fresatrice capovolta su una superficie piana sicura, col Motore (6) completamente fermo e il cavo di corrente non inserito nella presa di alimentazione.
2. Spingere la fresatrice fino alla sua profondità massima premendo l'Anello di blocco impugnatura avvolgitore (17) (Immagine B) verso l'interno, e ruotando la Maniglia Avvolgitore (19) in senso orario fino a che il l'Anello metallico (23) non sporge rispetto alla base.

Nota: Verificare che la Manopola di Blocco Stop profondità (3) sia completamente ritratta (cfr. "Stop di profondità e torretta"). L'anello metallico dovrebbe sporgere dalla base, consentendo così un facile accesso della chiave.

3. Servendosi della Chiave (25) fornita in dotazione, allentare l'anello metallico ruotandolo in senso anti-orario fino alla sua completa rimozione.
4. Selezionare l'Anello metallico desiderato, e inserirlo all'interno del Mandrino (2) avvitando l'Anello metallico in senso orario
5. Inserire la lama della fresa nell'anello metallico verificando che almeno 20mm o metà dell'albero (optare per la dimensione maggiore) venga inserita all'interno dell'anello metallico, quindi usare la Chiave (25) per ruotare leggermente l'Anello metallico, consentendo così l'innesto dell'Anello metallico stesso (Immagine C). Dopo l'innesto, ruotare la chiave in senso orario per serrare il cutter
6. Riportare la fresatrice alla normale profondità di funzionamento. In questo modo il blocco dell'anello metallico verrà disinnestato e si rilascerà l'interruttore retrattile; sarà dunque possibile accedere all'interruttore On/Off (8)

Porta di estrazione delle polveri

Nota: La fresatrice Triton è dotata di una porta di estrazione delle polveri (15) per eliminare le polveri e i trucioli dalla parte superiore della zona di taglio. La boccola accetta i tubi da 38mm (1-½"), come quelli forniti con il secchio raccogli-polvere Triton (DCA300).

- Le viti del tubo in posizione tramite una filettatura sinistra (senso antiorario) (Immagine D).

Accessorio di raccolta trucioli opzionale

- Una presa anti polvere opzionale per aspirazione trucioli efficace a fianco la zona di taglio è disponibile presso il vostro rivenditore locale Triton. Può essere collegato a qualsiasi tubo O.D. di 38mm (1 - ½") (Immagine E).

Piastra di base estesa e installazione della guida

1. Localizzare le due Manopole di montaggio della piastra di base (13) e allentarle completamente. In questo modo i perni di montaggio si innesteranno nei fori di fissaggio della fresatrice sulla piastra di base estesa (27).
2. Capovolgere sia la fresatrice che la piastra di base estesa
3. Premere le manopole di montaggio della piastra di base sulla fresatrice verso l'interno, fino a esporre i perni di montaggio
4. Allineare i perni di montaggio coi fori di fissaggio della fresatrice sulla piastra di base estesa, quindi far scorrere negli alloggiamenti del foro-chiave (Immagine K).

Nota: L'orientamento della Piastra di base estesa dipende dal punto in cui è richiesto il supporto. Per lavorare sulle estremità, localizzare l'interruttore On/Off (8) sul lato corto sporgente della base.

5. Serrare le manopole di montaggio della piastra di base saldamente sulla fresatrice per fissare la fresatrice stessa sulla piastra di base estesa
6. Per installare la guida (22) allentare le manopole della guida e far scorrere la guida stessa sui binari della piastra di base estesa (Immagine L). Bloccare nel punto richiesto serrando entrambe le manopole della guida

Nota: Quando si effettuano tagli lontano dalle estremità, inserire la Guida sull'estremità lunga della piastra di base estesa.

Nota: Quando si lavora alle estremità con un cutter con guida non portante, inserire la protezione sull'estremità corta della piastra di base (Immagine J).

Nota: Qualora venga usato un cutter di grandi dimensioni potrebbe essere necessario fissare i blocchi in legno ai lati della guida tramite i fori della vite, al fine di garantire che il cutter non entri in contatto con la Guida.

Funzionamento

AVVERTENZA: Indossare SEMPRE la protezione per gli occhi, protezioni per il sistema respiratorio e l'udito e anche quanti adatti quando si utilizza questo strumento.

Accensione e spegnimento

Nota: Quando la fresatrice viene collegata alla sorgente di alimentazione, l'interruttore On/Off (8) si illumina, sia in posizione "On" che in posizione "Off".

Nota: Il Copri-interruttore retrattile (7) impedisce l'avvio accidentale della fresatrice. Dovrà essere ritirata prima di accendere la fresatrice. Il Copri-interruttore retrattile resterà aperto fino a che la fresatrice non viene spenta.

1. Verificare che la fresatrice a immersione sia all'estensione massima del suo spostamento, e che il cutter non entri in conflitto con oggetti estranei quando viene alimentato
2. Collegare il cavo di alimentazione alla presa di corrente, e far scorrere indietro il Copri-interruttore retrattile fino a mostrare l'interruttore di alimentazione On/Off.
3. Premere l'interruttore di alimentazione On/Off fino a portarlo in posizione "I" per accendere la fresatrice. Mentre l'interruttore di alimentazione On/Off si trova in questa posizione, il Copri-interruttore retrattile non potrà coprire nuovamente l'interruttore di alimentazione On/Off
4. Per spegnere, premere l'interruttore On/Off fino a portarlo in posizione "O". Il Copri-interruttore retrattile tornerà alla sua posizione originale.

Controllo della velocità variabile

Nota: Le impostazioni di velocità della fresatrice non sono critiche. Di norma si dovrebbe usare la velocità più alta che non causi segni sul pezzo da sottoporre a lavorazione. Ove indicato, attenersi alle indicazioni sulla velocità massima consentita fornite dal produttore.

- Lavorare a velocità ridotte aumenta il rischio di danni della fresa, che potrebbero emergere in seguito a un sovraccarico. Usare velocità di alimentazione molto basse e/o più tagli poco profondi.
- Il controller della velocità (10) è contrassegnato da 1 a 5, il che corrisponde indicativamente alle velocità e ai diametri di cutter di seguito indicati. Ruotare il selettore per impostare la velocità richiesta

Einstellung	min ⁻¹	Fräserdurchmesser
5	21,000	Up to 25mm (1")
4	18,000	25 – 50mm (1" – 2")
3	14,500	50 – 65mm (2" – 2½")
2	11,000	Over 65mm (2½")
1	8,000	Use only if burning

Regolazione della profondità di taglio

Nota: REGOLAZIONE DELLA PROFONDITÀ DI TAGLIO

La regolazione della profondità di taglio può essere effettuata in tre modi, a seconda della precisione e del controllo richiesti: Ciò terrà la testa della fresa ferma in posizione.

- Ci sono tre metodi di regolazione della profondità di taglio, a seconda del livello di precisione e di controllo richiesti.

Affondamento a mano libera

1. La regolazione della profondità di affondamento a mano libera può essere effettuata con il tasto di selezione della modalità di affondamento (18) attivato. Premere il tasto a fondo fino a quando si innesta all'interno (Immagine A).

Stringere la leva di bloccaggio affondamento.

2. Sganciare la leva di bloccaggio affondamento (11). Spingere il corpo della fresatrice verticale fino a raggiungere la profondità richiesta. Ri-stringere saldamente la vite.

Regolazione della manopola dell'avvolgitore

1. Le regolazioni della profondità di immersione possono essere fatte ruotando la manopola dell'avvolgitore (19)
2. Disinserire il tasto di selezione della modalità di affondamento (18), e verificare che il pulsante funzioni in modo scorrevole con la manopola dell'avvolgitore
3. Per rilasciare la manopola dell'avvolgitore, tirare l'Anello di blocco impugnatura avvolgitore (17) verso l'interno (Immagine B)
4. Rilasciare la Leva di blocco immersione (11) e ruotare la manopola dell'avvolgitore fino a raggiungere la profondità di taglio desiderata. Rilasciare l'Anello di blocco impugnatura avvolgitore e bloccare la Leva di blocco immersione

Micro avvolgitore

Nota: Da usare solo nella modalità di affondamento con manopola dell'avvolgitore (19).

1. Disinserire il tasto di selezione della modalità di affondamento (18) e accertarsi che la leva di bloccaggio affondamento (11) sia sbloccata.

Nota: Se il Micro Avvolgitore (20) viene girato con la leva di bloccaggio affondamento attivata, il micro-avvolgitore inizierà a fare clic e ad andare a vuoto, e la profondità di taglio resterà invariata.

2. Girare la manopola di comando del micro-regolatore in senso orario per aumentare la profondità di taglio e in senso antiorario per ridurla. Regolare la profondità di taglio fino a raggiungere l'altezza desiderata.

Nota: Quando si raggiunge la fine dell'intervallo di regolazione della profondità il micro-regolatore diventerà molto più duro da girare e inizierà a fare clic e andare a vuoto.

3. Innestare la Leva di Blocco Immersione, in particolare per i tagli più impegnativi

Arresto profondità e torretta

1. L'arresto profondità (3) e la Torretta (1) sono usati nella modalità di affondamento a mano libera per predisporre accuratamente tre diverse profondità di taglio
2. Allentare la Manopola di blocco stop profondità (5) e ritirare completamente lo Stop di profondità (3), quindi serrare nuovamente (Immagine F)
3. Impostare i perni della torretta sulle profondità di immersione richieste servendosi delle scale sul perno della torretta stazionaria (Immagine G)

Nota: Per cambiare i perni della torretta, ruotare tutto il gruppo torretta fino ad allinearli con lo stop di profondità.

4. Col cutter desiderato installato sull'anello metallico (23), regolare la profondità di immersione fino a che la punta del cutter non tocca il pezzo da sottoporre a lavorazione.

5. Ruotare la torretta fino a che il perno torretta fissa non si trova in linea con lo stop di profondità. Rilasciare lo stop, consentendogli di posizionarsi sul perno, quindi serrare nuovamente la Manopola di blocco stop profondità. Ora la profondità di immersione è impostata su zero.

6. Ruotare i Blocchi torretta fissa a che il perno torretta con la profondità di immersione adeguata non sarà allineato con lo stop di profondità

Boccole guida modello opzionale

Sono disponibili varie boccole guida modello per l'uso della fresatrice con modelli. I kit di accessori sono disponibili presso il proprio dettagliante locale Triton.

Eseguire un taglio

Nota: NON usare mai la fresatrice a mano libera senza avere una guida. La guida può essere fornita da un cutter di fresa su cuscinetto, da una guida fornita in dotazione o da un bordo dritto (Immagine I).

1. Tenere sempre la fresa con entrambe le mani servendosi delle maniglie presenti. Accertarsi che il pezzo da sottoporre a lavorazione non si muova. Ove possibile, servirsi di pinze.
2. Consentire al motore di raggiungere la velocità di funzionamento massima
3. Abbassare il cutter della fresa sul pezzo di lavoro spostando lentamente la fresa, tenendo la piastra di base appiattita contro il pezzo da sottoporre a lavorazione
4. Qualora si stiano tagliando delle estremità, il taglio del pezzo da sottoporre a lavorazione dovrebbe trovarsi sul lato sinistro rispetto alla direzione di taglio (fig I). Mantenere la pressione costante e consentire al cutter di lavorare in modo stabile lungo il materiale. Attenzione: i nodi e altre variazioni rallenteranno la velocità di avanzamento.

Nota: Per evitare le vibrazioni del codolo, puntare la il taglio il senso anti-orario per i tagli esterni, e in senso orario per i tagli interni.

Nota: Uno spostamento troppo rapido della fresatrice potrebbe causare finiture poco curate oltre che un sovraccarico del Motore (6). Uno spostamento troppo lento della fresa può causare il surriscaldamento del pezzo sottoposto a lavorazione.

Nota: Il normale funzionamento della fresatrice prevede l'immersione della testa dopo l'accensione del dispositivo stesso

Nota: Non usare la fresatrice al contrario a meno che non sia saldamente montata su un apposito banco dotato delle protezioni adeguate (marca Triton).

Esecuzione di tagli con più passaggi

1. Il Blocco torretta (1) consente di ottenere la velocità di taglio massima in un numero di passaggi determinati dall'operatore. Ogni passaggio della torretta può essere pre-impostato regolando la ruota sul perno della torretta.
2. Ruotare lo stop torretta in modo tale che lo stop di profondità contatti il perno torretta pre-impostato più alto quando la fresatrice inizia il processo di immersione. Sarà ora possibile eseguire il primo passaggio di taglio
3. Continuare a eseguire passaggi, ruotando il blocco torretta e regolando la profondità del perno torretta per ogni passaggio, fino a quando non sarà necessario, e fino a quando non sarà stata raggiunta la piena profondità di taglio.

Taglio circolare

1. Montare la piastra base estesa (27) senza guida (22) alla fresatrice.
2. Rimuovere il perno di montaggio per taglio circolare (26) dalla piastra base estesa e fissarlo al centro del pezzo da lavorare con un chiodino o una vitina inserita nei fori della zona dell'attacco perno (Immagine M) Lasciare in posizione la vite di montaggio del perno.
3. Calare la fresatrice verticale e la piastra base sull'attacco del perno e rimontare la rosetta e il dado ad alette (Immagine N).
4. Con l'interruttore di accensione spento "Off", girare la fresatrice verticale sul percorso previsto controllando le dimensioni del cerchio per effettuare le necessarie correzioni

IT

5. Effettuare diversi passaggi per fare il cerchio, aumentando leggermente la profondità di taglio, per esempio di 2mm, (1/3") ad ogni passaggio. Non cercare di tagliare a fondo con un solo passaggio.

- Taglio completo da parte a parte: Per tagliare il materiale da parte a parte, fissare un pezzo di materiale di scarto sotto il pezzo da lavorare. Tagliare un cerchio di dimensioni maggiori, e quando il pezzo sarà stato tagliato completamente fino in fondo, ridurre il diametro ed effettuare altri passaggi leggeri dell'intera profondità (da parte a parte) fino a ottenere le dimensioni desiderate.

Uso come utensile da banco

⚠ AVVERTENZA: Quando il dispositivo viene utilizzato col modulo banco di lavoro per fresatrice TWX7RT001, il diametro massimo di taglio è 50 mm. Ciò è imposto dalle specifiche tecniche del banco di lavoro.

Nota: L'inserimento e l'uso della fresatrice sull'apposito banco dovrebbe essere eseguito in conformità col materiale informativo fornito in dotazione con la fresatrice.

Nota: Anche se questo prodotto è stato progettato per il funzionamento efficiente e pratico sulla maggior parte dei banchi per fresatrice verticale, è particolarmente adatto all'uso con i banchi Triton RT300 e TWX7RT001.

Nota: Le regolazioni della fresatrice sono estremamente facili servendosi delle funzioni uniche precedentemente descritte all'interno del presente manuale. Cfr. le sezioni "Installazione dell'anello metallico e del cutter" e "Regolazione della profondità di taglio".

Nota: È NECESSARIO rimuovere la molla d'immersione prima di montare la fresatrice in un banco fresa:

1. Impostare la fresatrice sul valore più alto dell'intervallo di immersione e attivare la leva di bloccaggio immersione (11).
2. Allentare la piccola vite vicino al cappuccio della molla di immersione (21) di alcuni giri.
3. Tenere saldamente il cappuccio della molla saldamente (in modo che la molla non spari verso l'alto quando viene rilasciata), ruotare il tappo in senso antiorario per rimuoverlo (immagine 0).
4. Rimuovere la molla e conservarla in un luogo sicuro.

NOTA: Accertarsi che la molla di immersione sia sempre montata prima di usare l'utensile a mano libera

L'Avvolgitore d'altezza del banco (24) si innesta col Punto di collegamento dell'avvolgitore di regolazione dell'altezza del banco (14) per una regolazione facile e veloce sopra al banco quando la fresatrice è installata su un banco.

Accesso alle filettature delle viti della piastra di base

1. Per montare la fresatrice su banchi di altri produttori o su strutture realizzate autonomamente, togliere le 4 viti della piastra di base indicate nell'Immagine 0 e togliere la piastra di base.
2. Ci sono 2 set di filettature di viti, come indicato nella Figura II. Ci sono 4 filettature viti 1/4 UNC (A) usate per tenere fissata la piastra di base che sono al tempo stesso adatte per il montaggio su banco lavoro, oltre a un ulteriore set di 3 viti M6 (B)

Nota: Le filettature M6 non sono disponibili sulle versioni precedenti della fresatrice TRA001.

Accessori

- Un'ampia gamma di accessori per questo dispositivo sono disponibili dal proprio grossista Triton, compresa un'ampia selezione di cutter/punte per fresatrice. I pezzi di ricambio, comprese le spazzole di carbonio, le boccole delle guide e gli anelli metallici sono disponibili presso il proprio fornitore Triton oppure sul sito www.toolsparesonline.com

Manutenzione

⚠ AVVERTENZA: Scollegare SEMPRE dalla corrente prima di eseguire eventuali interventi di ispezione, manutenzione o pulizia.

Ispezione generale

- Controllare a intervalli regolari che tutte le viti di fissaggio siano strette saldamente
- Ispezionare il cavo di alimentazione del dispositivo prima di ogni uso, al fine di verificare la presenza i danni o segni di usura. Le riparazioni dovrebbero essere eseguite da un centro assistenza autorizzato Triton. Questa indicazione vale anche per le prolunghe usate con questo dispositivo

Pulizia

⚠ AVVERTENZA: In fase di pulizia del dispositivo, indossare SEMPRE una strumentazione protettiva, comprese protezioni per gli occhi e guanti.

- Mantenere pulito lo strumento in ogni momento. La sporcizia e la polvere causano una rapida usura delle componenti interne e riducono la durata di vita del dispositivo stesso.
- Pulire il corpo della macchina con una spazzola morbida o un panno asciutto.
- Non usare mai agenti caustici per pulire le componenti in plastica Qualora la pulizia a secco non basti, consigliamo un detergente delicato su un panno umido.
- L'acqua non deve mai entrare in contatto col dispositivo
- Verificare che il dispositivo sia asciutto prima di iniziare a usarlo
- Ove disponibile, usare aria pulita, secca e compressa tramite i fori di ventilazione (ove possibile)

Lubrificazione

- Lubrificare leggermente tutte le componenti mobili a intervalli regolari servendosi di un lubrificante spray adeguato.

Spazzole

- Nel corso del tempo le spazzole di carbonio all'interno del Motore (6) si potrebbero usurare
- Delle spazzole eccessivamente usurate possono causare perdita di corrente, funzionamento a intermittenza o scintille visibili a occhio nudo
- Per sostituire le spazzole, togliere i due Coperchi di accesso alle spazzole (9). Togliere con attenzione le spazzole consumate (Immagine P) e verificare che gli attacchi siano puliti. Sostituire con attenzione, montando spazzole nuove, quindi sostituire i Coperchi di accesso alle spazzole.
- Al termine dell'operazione di inserimento, far funzionare la fresatrice a vuoto per 2-3 minuti per consentire alle spazzole di fissarsi adeguatamente in posizione. Il processo di fissaggio delle spazzole potrebbe durare per alcuni utilizzi. Potrebbero fuoriuscire delle scintille dal motore fino a che le nuove spazzole in carbonio non saranno perfettamente posizionate.
- In alternativa, rivolgersi a un centro assistenza autorizzato per sottoporre la macchina a manutenzione.

Conservazione

- Riporre questo dispositivo con cura in un luogo sicuro e asciutto fuori dalla portata dei bambini

Smaltimento

Rispettare sempre le normative nazionali per lo smaltimento di attrezzi a corrente che non sono più funzionali e possono essere riparati.

- Non smaltire gli attrezzi a corrente o altri rifiuti elettrici ed elettronici (WEEE) con i normali rifiuti domestici
- Contattare l'ente locale per lo smaltimento dei rifiuti per informazioni sul modo corretto di smaltire attrezzi a corrente

Guida alla risoluzione dei problemi

Problema	Possibile causa	Soluzione
Nessun funzionamento quando viene usato l'interruttore di alimentazione On/Off (8)	Assenza di corrente	Controllare la sorgente di alimentazione
	Interruttore di alimentazione On/Off difettoso	Sostituire l'interruttore di alimentazione On/Off presso un centro assistenza autorizzato Triton
Profilo di taglio non adeguato	Stop profondità (3) non regolato correttamente.	Verificare che lo stop profondità corrisponda al taglio massimo consentito dagli stop torretta (1).
	Fresa inserita in modo errato o allentata/Anello metallico (23)	Serrare la fresatrice / l'anello metallico e il gruppo cutter
La fresatrice non funziona	Assenza di alimentazione	Verificare che la fonte di alimentazione sia disponibile
	Spazzole usurate o appiccicose	Scollegare l'alimentazione, aprire i Coperchi di accesso alla spazzola (9) e verificare che le spazzole non siano danneggiate o gravemente usurate.
	L'interruttore è guasto	Rivolgersi a un centro assistenza autorizzato Triton per intervenire sul dispositivo
	Componenti del motore guaste o cortocircuitate	
La fresatrice funziona o taglia lentamente	Cutter non affilato o danneggiato	Affilare nuovamente o sostituire il cutter
	Controller di velocità (10) impostato basso	Aumentare l'impostazione della velocità variabile
	Il motore è sovraccarico	Ridurre la forza di pressione sulla fresatrice
Vibrazioni eccessive	Fresa inserita in modo errato o allentata	Inserire o serrare nuovamente la fresa
	Fresa piegata o danneggiata	Sostituire la fresa
Eccessive scintille all'interno dell'alloggiamento del motore	Le spazzole non si muovono liberamente	Scollegare l'alimentazione, togliere le spazzole, pulire o sostituire
	Motore danneggiato o usurato	Rivolgersi a un centro assistenza autorizzato Triton per intervenire sul dispositivo
Il Micro Avvolgitore (20) "scatta" o non si fissa in posizione	Leva di blocco immersione (11) innestata	Rilasciare la Leva di blocco immersione
	È stata raggiunta la fine della gamma di regolazione	Resettare il micro-avvolgitore e impostare la profondità con lo stop di profondità (3)
Emette un rumore strano	Ostruzione meccanica	Rivolgersi a un centro assistenza autorizzato Triton per intervenire sul dispositivo
	Danni agli avvolgimenti interni	

Garanzia

Per la registrazione della garanzia visitare il sito web www.tritontools.com* e inserire i propri dettagli.

A meno che il proprietario non abbia specificato diversamente, i suoi dettagli saranno inclusi nella lista di distribuzione che sarà utilizzata per inviare regolarmente informazioni sulle novità Triton. I dati personali raccolti saranno trattati con la massima riservatezza e non saranno rilasciati a terze parti.

Informazioni sull'acquisto

Data di acquisto: ___/___/___

Modello N.: TRA001 Conservare lo scontrino come prova dell'acquisto

Triton Precision Power Tools garantisce all'acquirente di questo prodotto che se qualsiasi parte si rivelasse difettosa a causa di materiali difettosi o di fabbricazione entro 3 ANNI dalla data di

acquisto originale, Triton riparerà o sostituirà a sua discrezione, la parte difettosa gratuitamente.

Questa garanzia non si applica ad uso commerciale né si estende alla normale usura o danni a seguito di incidenti, abuso o uso improprio.

* Registrati entro 30 giorni.

Si applicano termini e condizioni.

Ciò non pregiudica i diritti legali

Dichiarazione di conformità CE

Il sottoscritto: Sig. Darrell Morris

come autorizzato da: Triton Tools

Dichiara che il prodotto:

Codice di identificazione: 330165

Descrizione: Fresatrice a immersione di precisione con doppia modalità da 2400W

Si conforma alle seguenti direttive:


- Direttiva Macchine 2006/42/EC
- Direttiva sulla Bassa Tensione 2006/95/EC
- Direttiva EMC 2004/108/EC
- Direttiva RoHS 2011/65/EU
- EN60745-1:2006+A11:2010
- EN60745-2-17:2010
- EN55014-1:2006+A1+A2
- EN55014-2:1997+A1+A2
- EN61000-3-2:2006+A1+A2
- EN61000-3-3:2013

Organismo informato: TÜV Rheinland Co., Ltd

La documentazione tecnica è mantenuta da: Triton Tools

Data: 24/11/2015

Firma:



Signor Darrell Morris

Amministratore Delegato

Nome e indirizzo del fabbricante:

Powerbox International Limited, N° Società 06897059. Indirizzo registrato:

Central House, Church Street, Yeovil, Somerset BA20 1HH, Regno Unito.

IT

Traducción del manual original

Introducción

Gracias por haber elegido esta herramienta Triton. Estas instrucciones contienen la información necesaria para utilizar este producto de forma segura y eficaz. Lea atentamente este manual para obtener todas las ventajas y características únicas de su nueva herramienta. Conserve este manual a mano y asegúrese de que todas las personas que utilicen esta herramienta lo hayan leído y entendido correctamente.

Descripción de los símbolos

Los siguientes símbolos pueden aparecer en la placa de características de su herramienta. Estos símbolos representan información importante sobre el producto o instrucciones relativas a su uso.



Lleve protección auditiva
Lleve protección ocular
Lleve protección respiratoria
Lleve un casco de seguridad



Lleve guantes de seguridad



Lea el manual de instrucciones



¡Peligro!



ADVERTENCIA: Los mecanismos móviles de esta herramienta pueden causar cortes y lesiones personales. No utilizar en ambientes húmedos o bajo la lluvia.



No utilizar en ambientes húmedos o bajo la lluvia



Desconecte siempre la herramienta de la toma eléctrica antes de realizar cualquier tarea de mantenimiento, sustituir accesorios o cuando no la esté utilizando.



Se recomienda/necesita utilizar un sistema de extracción de polvo



Protección clase II (doble aislamiento para mayor protección) Protección clase II (doble aislamiento para mayor protección)



Protección medioambiental Los productos eléctricos usados no se deben mezclar con la basura convencional. Están sujetos al principio de recogida selectiva. Solicite información a su ayuntamiento o distribuidor sobre las opciones de reciclaje.



Conforme a las normas de seguridad y la legislación correspondiente

Características técnicas

Modelo:	TRA001
Tensión:	220 – 240 V CA, 50 Hz, 9,1 A
Potencia:	2400 W
Velocidad sin carga:	8.000 – 21.000 min ⁻¹
Pinza de apriete:	½" y 12 mm
Diámetro máximo de la fresa:	55 m (50 mm con WX7RT001)
Tamaño máximo de la fresa:	½" (imperial), 12 mm (métrica)
Ajuste de altura:	1) Ajuste libre 2) Ajustador en la empuñadura 3) Microajustador
Ajuste de profundidad:	0 - 68 mm
Grado de protección:	IP20
Clase de protección:	□
Longitud del cable de alimentación:	3 m
Dimensiones:	180 x 300 x 310 mm
Peso:	6 kg
Como parte de nuestra política de desarrollo de productos, los datos técnicos de los productos Triton pueden cambiar sin previo aviso.	
Información sobre ruido y vibración:	
Presión acústica (L_p):	85,5 dB(A)
Potencia acústica (L_w):	96,4 dB(A)
Incertidumbre K:	3 dB
Vibración ponderada a_w:	4,795 m/s ²
Incertidumbre K:	1,5 m/s ²
El nivel de intensidad sonora para el usuario puede exceder de 85 dB(A). Se recomiendan usar medidas de protección auditiva.	

ADVERTENCIA: Utilice siempre protección auditiva cuando el nivel de ruido exceda 85 dB(A) o cuando esté expuesto durante largos periodos de tiempo. Si por algún motivo nota algún tipo de molestia auditiva incluso llevando orejeras de protección, detenga inmediatamente la herramienta y compruebe que las orejeras de protección estén colocadas adecuadamente. Asegúrese de que el nivel de atenuación y protección de las orejeras sea adecuado dependiendo del tipo de herramienta y el trabajo a realizar.

ADVERTENCIA: La exposición a la vibración durante la utilización de una herramienta puede provocar pérdida del sentido del tacto, entumecimiento, hormigueo y disminución de la capacidad de sujeción. La exposición durante largos periodos de tiempo puede provocar enfermedad crónica. Si es necesario, limite el tiempo de exposición a la vibración y utilice guantes anti-vibración. No utilice la herramienta cuando sus manos estén muy frías, las vibraciones tendrán un mayor efecto. Utilice los datos técnicos de su herramienta para evaluar la exposición y medición de los niveles de ruido y vibración.

Los niveles de vibración y ruido están determinados por la directiva EN60745 y otras directivas internacionales similares. Los datos técnicos se refieren al uso normal de la herramienta en condiciones normales. Una herramienta defectuosa, mal montada o desgastada puede incrementar los niveles de ruido y vibración. Para más información sobre ruido y vibración, puede visitar la página web www.osha.europa.eu

Instrucciones de seguridad relativas a las herramientas eléctricas

ADVERTENCIA: Lea siempre el manual de instrucciones y las advertencias de seguridad.

No seguir estas advertencias e instrucciones puede causar descargas eléctricas, incendios y/o lesiones graves.

ADVERTENCIA: No permita que los niños, personas discapacitadas o personas no cualificadas utilicen esta herramienta. Mantenga esta herramienta fuera del alcance de los niños.

Conservar estas instrucciones de seguridad para futura referencia.

La expresión "herramienta eléctrica" se refiere a su herramienta alimentada por corriente eléctrica (herramienta alámbrica) o una herramienta eléctrica alimentada por baterías (herramienta inalámbrica).

1) Seguridad en el área de trabajo

- Mantenga el área de trabajo limpia y bien iluminada. Las áreas de trabajo desordenadas y oscuras son peligrosas y pueden provocar un accidente.
- No utilice herramientas eléctricas en atmósferas explosivas que contengan líquidos, gases o polvos inflamables. Las herramientas eléctricas producen chispas que pueden incendiar el polvo o los vapores.
- Mantenga alejados a los niños y personas que se encuentren a su alrededor mientras esté trabajando con una herramienta eléctrica. Las distracciones pueden hacerle perder el control de la herramienta.

2) Seguridad eléctrica

- El enchufe de la herramienta eléctrica debe coincidir con la toma de corriente. No modifique nunca el enchufe de ninguna manera. No utilice ningún adaptador de enchufe sin toma de tierra. Los enchufes si se modifica y el uso de tomas de corrientes adecuadas reducirán el riesgo de descargas eléctricas.
- Evite el contacto con materiales conductores tales como tuberías, radiadores, estufas y refrigeradores. El riesgo de descarga eléctrica se incrementa si su cuerpo está expuesto a materiales conductores.
- No exponga las herramientas eléctricas a la lluvia o la humedad. El contacto de agua en una herramienta eléctrica aumentará el riesgo de descargas eléctricas.
- No doble el cable de alimentación. No use nunca el cable de alimentación para transportar la herramienta eléctrica, tirar de ella o desenchufarla. Mantenga el cable de alimentación alejado de fuentes de calor, aceite, bordes afilados o de las piezas móviles. Los cables de alimentación dañados o enredados aumentan el riesgo de descargas eléctricas.
- Use un cable de extensión adecuado para exteriores cuando utilice una herramienta eléctrica en áreas exteriores. La utilización de un cable adecuado para exteriores reducirá el riesgo de descargas eléctricas.
- Si es inevitable trabajar con una herramienta eléctrica en lugares húmedos, use un suministro protegido por un interruptor diferencial o disyuntor por corriente diferencial o residual (RCD). El uso de un RCD reduce el riesgo de descargas eléctricas.
- Cuando utilice esta herramienta en Australia o Nueva Zelanda, se recomienda conectar esta herramienta en tomas de corriente protegida con dispositivo de protección de corriente diferencial residual de 30 mA o inferior.

3) Seguridad personal

- Manténgase alerta, fíjese en lo que está haciendo y use el sentido común cuando esté utilizando una herramienta eléctrica. No use una herramienta eléctrica si se encuentra cansado o bajo la influencia de drogas, alcohol o medicamentos. Un momento de distracción mientras está utilizando una herramienta eléctrica puede provocar lesiones corporales graves.
 - Utilice siempre equipo de protección personal. Use siempre protección ocular. El uso de dispositivos de seguridad personal (máscara anti-polvo, calzado de seguridad antidestizante, casco resistente y protecciones auditivas adecuadas) reducirá el riesgo de lesiones corporales.
 - Evite el arranque accidental. Asegúrese de que el interruptor está en la posición de apagado antes de enchufar la herramienta. No transporte herramientas con el dedo en el interruptor o con el interruptor encendido, podría ocurrir un accidente.
 - Retire todas las llaves de ajuste antes de encender la herramienta eléctrica. Una llave enganchada en una parte móvil de la herramienta eléctrica puede causar lesiones graves.
 - No adopte posturas forzadas. Manténgase en posición firme y en equilibrio en todo momento. De este modo, podrá controlar mejor la herramienta eléctrica en situaciones inesperadas.
 - Vístase adecuadamente. No lleve ropa holgada ni joyas. Mantenga el pelo, la ropa y guantes alejados de las piezas móviles. La ropa holgada, las joyas o el pelo largo pueden quedar atrapados en las piezas móviles.
 - Cuando utilice esta herramienta en Australia o Nueva Zelanda, se recomienda conectar esta herramienta en tomas de corriente protegida con dispositivo de protección de corriente diferencial residual de 30 mA o inferior.
- ### 4) Uso y mantenimiento de las herramientas eléctricas
- No fuerce la herramienta eléctrica. Utilice la herramienta eléctrica de forma adecuada. Utilice su herramienta únicamente para la tarea que haya sido destinada.
 - No use la herramienta eléctrica si el interruptor no la enciende o la apaga. Toda herramienta eléctrica que no se pueda controlar mediante el interruptor es peligrosa y debe ser reparada inmediatamente.
 - Desenchufe la herramienta o retire la batería antes de realizar cualquier ajuste, cambiar accesorios o almacenar la herramienta. Estas medidas de seguridad preventivas evitarán el arranque accidental de su herramienta eléctrica.

- Guarde siempre las herramientas eléctricas fuera del alcance de los niños. No permita que las personas que no estén familiarizadas con estas instrucciones utilicen la herramienta. Las herramientas eléctricas son peligrosas en manos de personas que no estén capacitadas para su uso.
 - Revise regularmente sus herramientas eléctricas. Compruebe que no haya piezas en movimiento mal alineadas o trabadas, piezas rotas o cualquier otro problema que pueda afectar el funcionamiento de la herramienta eléctrica. Si hay alguna pieza dañada, repare la herramienta antes de volver a utilizarla. Muchos accidentes son causados por herramientas eléctricas que carecen de un mantenimiento adecuado.
 - Las herramientas de corte deben estar siempre afiladas y limpias. Las herramientas de corte correctamente afiladas son menos propensas a trabarse y son más fáciles de controlar.
 - Utilice la herramienta eléctrica y los accesorios siguiendo el manual de instrucciones y teniendo en cuenta las condiciones y el trabajo que necesite realizar. El uso de la herramienta eléctrica con un propósito distinto al cual ha sido diseñada, podría ser peligroso.
- ### 5) Mantenimiento y reparación
- Repare siempre su herramienta eléctrica en un servicio técnico autorizado. Utilice únicamente piezas de recambio idénticas y homologadas. Esto garantizará un funcionamiento óptimo y seguro de su herramienta eléctrica.

Instrucciones de seguridad para fresadoras



¡ADVERTENCIA!

- Sujete la herramienta siempre por las empuñaduras aisladas para evitar el riesgo de descargas eléctricas en caso de accidente. El contacto del accesorio con un cable bajo tensión podría provocar descargas eléctricas al usuario.
 - Sujete la pieza de trabajo en una plataforma estable. Sujetar la pieza de trabajo con las manos o cerca de usted podría provocar la pérdida de control.
 - El cable de alimentación deberá ser sustituido solamente por un servicio técnico autorizado o por el fabricante.
 - Se recomienda conectar esta herramienta a tomas de corriente protegida con dispositivo de protección de corriente diferencial residual de 30 mA o inferior.
- Use equipo de seguridad como gafas de seguridad o una visera protectora, protección auditiva, mascarilla contra el polvo y ropa protectora, incluyendo guantes de seguridad.
 - No debe dejar nunca trapos, ropa, cuerda, cable o similares alrededor de la zona de trabajo.
 - Asegúrese de que la tensión de su suministro de red sea la misma que la placa de identificación de su herramienta.
 - Cuando necesite un cable de extensión, debe asegurarse de que tenga la intensidad de corriente adecuada para su herramienta eléctrica y que esté en buen estado.
 - Desenrolle totalmente los cables de extensión para evitar un posible recalentamiento.
 - Utilice detectores para determinar si existen cables o tuberías ocultas en la pieza o zona de trabajo. Contacte con las compañías de suministro si es necesario. El contacto con cables bajo tensión puede provocar una descarga eléctrica o un incendio. Dañar una tubería de gas podría provocar una explosión. Dañar una tubería de agua podría provocar daños graves en la zona de trabajo.
 - Asegúrese de haber retirado los objetos extraños como clavos y tornillos de la pieza de trabajo antes de iniciar la operación.
 - Manipule las fresas con mucha precaución; pueden estar extremadamente afiladas.
 - Inspeccione la fresa cuidadosamente antes de utilizarla. Sustituya las fresas rotas o dañadas inmediatamente.
 - Asegúrese de que las fresas estén afiladas y en buen estado. Tenga precaución al realizar cortes en cantos y bordes ya que podría ser peligroso.
 - Sujete siempre la fresadora por las empuñaduras utilizando ambas manos antes de comenzar el corte.
 - Mantenga las empuñaduras siempre limpias de suciedad, grasa, lubricante o aceite.
 - Antes de utilizar la herramienta, conéctela y déjala en funcionamiento durante unos instantes. Compruebe que no existan ruidos y vibraciones anormales causadas por una instalación de la fresa incorrecta.
 - Observe la dirección de giro de la fresa y la dirección de avance.
 - Mantenga las manos alejadas de la fresa y la zona de corte. Utilice siempre las empuñaduras auxiliares para sujetar correctamente la herramienta.
 - Nunca encienda la fresadora mientras la fresa esté en contacto con la pieza de trabajo.
 - Asegúrese que el muelle de profundidad esté siempre montado cuando use la herramienta a mano.
 - Asegúrese que la fresa está completamente parada antes de colocar la fresadora en posición de bloqueo de la pinza de apriete.
 - La velocidad máxima de la fresa deberá ser como mínimo igual de rápida que la velocidad máxima de la herramienta.
 - Las fresas se calentarán durante el uso. Nunca toque las fresas inmediatamente después de usarlas, podría provocarles quemaduras graves.

ES

- u) No deje que la fresa entre en contacto con materiales inflamables.
- v) Use sólo fresas con un diámetro de vástago compatible con la pinza de apriete suministrada con esta fresadora. Las fresas incompatibles podrían vibrar y salir despedidas hacia el usuario.
- w) Nunca utilice el botón de bloqueo del husillo cuando la fresadora esté en funcionamiento.
- x) Presione ligeramente cuando realice un corte y deje que la fresa trabaje por sí misma. Nunca presione excesivamente, de esta forma evitará la sobrecarga del motor.
- y) Asegúrese de que los símbolos y las advertencias indicadas en la herramienta se puedan leer correctamente. Sustitúyalas inmediatamente si están dañadas.
- z) Tenga precaución cuando esté realizando un corte, si la fresa queda atascada podría provocar la pérdida de control de la herramienta y causar daños graves. Compruebe siempre que las fresas estén en buen estado. En caso de accidente, suelte inmediatamente el interruptor de encendido y apagado.
- Compruebe durante el funcionamiento que la fresa no se balancee o vibre excesivamente. Una fresa mal colocada podría provocar la pérdida de control de la herramienta y dañar gravemente al usuario.
- Tenga especial precaución para no sobrecargar el motor cuando utilice fresas con un diámetro superior a 50 mm. Use velocidades de avance muy bajas o repita el corte por etapas para evitar sobrecargar el motor.
- Desconecte la herramienta y espere siempre hasta que la fresa se haya detenido completamente antes de retirar la fresadora de la pieza de trabajo.
- Desenchufe la herramienta de la toma de corriente antes de realizar cualquier ajuste o tarea de mantenimiento.

ADVERTENCIA: El polvo generado al utilizar algunas herramientas eléctricas puede ser tóxico. Algunos materiales pueden estar tratados con productos tóxicos. Algunos materiales naturales y sintéticos pueden ser tóxicos. Las pinturas antiguas pueden contener plomo y otros productos químicos peligrosos. Evite exponerse al polvo durante largos periodos de tiempo. Evite el polvo en la cara, la piel, ojos y boca. Utilice siempre mascarilla anti-polvo y un sistema de extracción de polvo. Utilice medidas de protección adicionales cuando esté expuesto al polvo durante largos periodos de tiempo.

Características del producto

1. Tope de torreta
2. Portapiezas
3. Tope de profundidad
4. Ranuras de ventilación
5. Perilla de bloqueo de tope de profundidad
6. Motor
7. Tapa protectora retráctil
8. Interruptor de encendido/apagado
9. Tapa de acceso a las escobillas
10. Ajuste de velocidad
11. Palanca de bloqueo de profundidad
12. Protectores de seguridad
13. Perillas de montaje de la placa de guía
14. Orificio de ajuste de altura
15. Salida de extracción de polvo
16. Bloqueo automático del husillo
17. Embrague de la manivela de ajuste de altura
18. Botón de selección de profundidad
19. Empuñadura giratoria
20. Microajustador
21. Tapa de acceso al muelle
22. Guía
23. Pinza de apriete
24. Manivela de ajuste de altura
25. Llave de ajuste
26. Pivote de montaje
27. Placa de guía

Figura 11.

- A. 4 x UNC ¼
- B. 3 x M6
- C. Orificio para la manivela de ajuste de altura

Aplicaciones

Fresadora eléctrica con ajuste de profundidad compatible con fresas de hasta ½" y 12 mm (según la piza de apriete instalada). Indicada para cortar perfiles, ranuras, cantos y agujeros elípticos en maderas naturales y sintéticas. También puede utilizarse con casquillos copiadores para fresar plantillas en mesas para fresadoras.

Desembalaje

Desembale e inspeccione la herramienta con cuidado. Familiarícese con todas sus características y funciones.

Asegúrese de que el embalaje contenga todas las partes y que están en buenas condiciones. Si faltan piezas o están dañadas, solicite su sustitución antes de utilizar esta herramienta.

Antes de usar

ADVERTENCIA: Desconecte siempre la herramienta de la toma de corriente antes de cambiar o sustituir cualquier accesorio.

Instalación de la pinza de apriete y accesorios

Nota: Lleve siempre guantes resistentes a los cortes cuando manipule y sustituya fresas.

1. Coloque la fresadora boca abajo sobre una superficie plana. El motor (6) debe estar apagado y el cable de alimentación desconectado de la toma de corriente.
2. Ajuste la fresadora en la máxima profundidad presionando el embrague de la manivela de ajuste de altura (17) (imagen B) hacia dentro y girando la empuñadura giratoria (19) en sentido horario hasta que la pinza de apriete (23) sobresalga de la base de la fresadora.

Nota: Asegúrese que el tope de profundidad (3) está completamente retraído (véase "Tope de profundidad y torreta"). La pinza de apriete debe sobresalir de la base para que pueda introducir la llave.

3. Utilice la llave de ajuste (25) suministrada para retirar la pinza de apriete. Gire la llave en sentido antihorario.
4. Seleccione el tipo de fresa adecuada e insértela en el portapiezas (2) enroscando la pinza de apriete en sentido horario.
5. Introduzca la fresa en la pinza de apriete. Asegúrese de que la mitad del vástago de la fresa (aprox. 20 mm) esté introducido dentro de la pinza de apriete. Utilice la llave de ajuste para girar ligeramente la pinza de apriete y fijarla en su posición requerida. Después de fijar la pinza de apriete, gire la llave en sentido horario para apretar la fresa (imagen C).
6. Ajuste la fresadora a la profundidad de corte por defecto. Esto desenganchará el mecanismo de bloqueo de la pinza de apriete y liberará la tapa protectora retráctil del interruptor, permitiendo el acceso al interruptor de encendido/apagado (8).

Salida de extracción de polvo

Nota: Esta fresadora está equipada con una salida de extracción de polvo (15) para extraer el polvo a través de la parte superior del corte. La salida de extracción de polvo es compatible con tubos de aspiración de 38 mm de diámetro (1-½"). Este sistema de extracción de polvo también es compatible con el colector de polvo Triton (DCA300).

- El tubo de aspiración se debe introducir girándolo hacia la izquierda (sentido antihorario) (imagen D).

Accesorio opcional: colector de virutas

Disponemos de un colector de virutas opcional para una extracción eficaz de virutas alrededor de la zona de corte. Se puede conectar a cualquier manguera de 38 mm (1-½") de diámetro exterior (imagen E).

Instalación de la placa de guía y guía paralela

1. Afloje las perillas de montaje (13) completamente. Esto permitirá ajustar los pivotes de montaje en los orificios de la placa de guía (27).
2. Coloque la fresadora y la placa de guía boca arriba.
3. Apriete las perillas de montaje de la placa de guía hacia dentro para visualizar los pivotes de montaje.
4. Alinee los pivotes de montaje con los orificios de la placa de guía, deslicelos en su posición de ajuste (imagen K).

Nota: La orientación de la placa de guía puede variar dependiendo del trabajo requerido. Para contornear y perfilar el interruptor de encendido/apagado (8) deberá estar alineado con la parte más corta de la placa de guía.

5. Apriete las perillas de montaje de la placa de guía para fijar la placa de guía en la fresadora.
6. Para montar la guía paralela (22), afloje las perillas de la guía paralela y deslice la guía paralela a través de los carriles de la placa de guía (imagen L). Apriete firmemente las perillas.

Nota: Cuando trabaje a cierta distancia del borde, monte la guía en el extremo largo de la placa de guía.

Nota: Cuando realice trabajos en el borde con una fresa que no disponga guía con rodamientos, monte la guía en el extremo corto de la base (imagen J).

Nota: Cuando utilice una fresa de gran diámetro, puede que necesite fijar listones de madera en ambas caras de la guía paralela. Coloque los listones utilizando los agujeros para tornillos, de esta forma la fresa no entrará en contacto con la guía paralela.

Funcionamiento

ADVERTENCIA: Lleve siempre protección adecuada cuando utilice esta herramienta, incluido protección ocular, protección auditiva y guantes de protección. Lleve mascarilla respiratoria cuando esté expuesto al humo o el polvo.

Interruptor de encendido/apagado

Nota: Cuando la fresadora esté conectada a la toma de corriente, el interruptor de encendido/pagado (8) se iluminará (en ambas posiciones 'on' y 'off').

Nota: La tapa protectora retráctil (7) del interruptor evita la puesta en marcha accidental de la fresadora. Debe retraerse antes de poder encender la fresadora (Imagen A). La tapa permanecerá abierta hasta que apague la fresadora.

1. Asegúrese de que la fresadora esté ajustada a su altura máxima. Compruebe que la fresa no esté en contacto con ningún objeto.
2. Conecte la fresadora a la toma de corriente y deslice el protector retráctil para acceder al interruptor de encendido/apagado.
3. Coloque el interruptor de encendido/apagado en la posición "ON" para encender la fresadora. El protector retráctil le permitirá accionar el interruptor de encendido/apagado.
4. Coloque el interruptor de encendido/apagado en la posición "OFF" para apagar la fresadora. El protector retráctil volverá a cerrarse en su posición original.

Ajuste de velocidad

Nota: Esta fresadora dispone de varios ajustes de velocidad. Generalmente la fresadora debe ajustarse a la velocidad más alta posible que no produzca quemaduras en la pieza de trabajo. Siga siempre las indicaciones sobre velocidad máxima indicada por el fabricante de la fresa.

- El funcionamiento a velocidad reducida aumenta el riesgo de sobrecarga pudiendo causar daños en la fresadora. Use velocidades de avance bajas o escale la profundidad.
- El ajuste de velocidad (10) dispone de 5 ajustes diferentes (1 – 5), que corresponden aproximadamente a las velocidades y diámetros de fresa indicados en la tabla mostrada a continuación. Gire el dial para seleccionar la velocidad deseada.

Nivel de ajuste	r.p.m	Diámetro de fresa
5	21.000	Hasta 25 mm (1")
4	18.000	De 25 a 50 mm (1" – 2")
3	14.500	De 50 a 65 mm (2" – 2½")
2	11.000	Mayor de 65 mm (2½")
1	8.000	Usar solo en caso de producirse quemaduras en la pieza de trabajo

Ajuste de la profundidad de corte

Nota: Para ajustar la fresadora a la profundidad de corte requerida, empuje la fresadora hacia abajo y gire la palanca de bloqueo de profundidad (11) a su posición más baja.

- Hay tres métodos para ajustar la profundidad de corte, según la precisión y el control requeridos:

Ajuste libre

1. El modo de ajuste libre puede realizarse activando el botón de selección de profundidad (18). Púselo a fondo hacia el interior del asa hasta que el botón quede bloqueado (imagen A).
2. Suelte la palanca de bloqueo de profundidad (11). Empuje la fresadora hasta alcanzar la profundidad deseada. Bloquee de nuevo la palanca de bloqueo de profundidad.

Empuñadura giratoria

1. La profundidad de corte puede ajustarse utilizando la empuñadura giratoria (19).
2. Desbloquee el botón de selección de profundidad (18) y colóquelo hasta que quede al mismo nivel que la empuñadura giratoria.
3. Coloque el embrague de la manivela de ajuste de altura (17) hacia dentro para liberar la empuñadura (imagen B).
4. Suelte la palanca de bloqueo de profundidad (11) y gire la empuñadura giratoria hasta alcanzar la profundidad de corte deseada. Suelte el embrague de la manivela de ajuste de altura y bloquee la palanca de bloqueo de profundidad.

Microajustador

Nota: Solo para para utilizar con la empuñadura giratoria (19).

1. Desenganche el botón de selección de profundidad (18) y asegúrese que la palanca de bloqueo de profundidad (11) esté desbloqueada.

Nota: Si el microajustador (20) se activa con la palanca de bloqueo de profundidad bloqueada, el microajustador no se activará y la profundidad de corte permanecerá inalterada.

2. Gire el microajustador en sentido horario para aumentar la profundidad de corte y en sentido antihorario para reducirla.

Nota: Cuando se alcance el ajuste de la profundidad requerido, el microajustador ofrecerá mayor resistencia a girar y escuchará un clic.

3. Bloquee la palanca de bloqueo de profundidad, especialmente para trabajos pesados.

Tope de profundidad y torreta

1. El tope de profundidad (3) y la torreta (1) se utilizan para fijar hasta tres profundidades de corte distintas.

2. Afloje la perilla de bloqueo del tope de profundidad (5), retraiga completamente el tope de profundidad (3) y apriételo de nuevo (imagen F).

3. Ajuste la fresadora al profundidad requerida utilizando las escalas del indicador de la torreta (imagen G).

Nota: Para cambiar de ajuste de torreta, gire la torreta para alinearla con el tope de profundidad (N).

4. Introduzca la fresa en la pinza de apriete (23) y ajuste la profundidad de la fresadora hasta que la punta de la fresa esté en contacto con la pieza de trabajo.

5. Gire la torreta hasta que el indicador fijo de la torreta esté alineado con el tope de profundidad. Suelte el tope, dejando que el muelle vuelva a su posición inicial. A continuación, apriete las perillas de bloqueo del tope de profundidad.

6. Gire los toques de la torreta hasta que la profundidad coincida con el tope de profundidad.

Opcional: casquillos copiadores

Para fresar con ayuda de una plantilla se recomienda utilizar un casquillo copiador y su adaptador. Puede adquirirlo a través de su distribuidor Triton.

Realizar un corte

Nota: Nunca utilice la fresadora en modo libre o sin tener instalada una guía de corte. Puede usar como guía una fresa con rodamientos, una guía de corte, o un listón de madera (imagen I).

1. Sujete siempre la fresadora con ambas manos y asegúrese de que la pieza de trabajo esté sujeta firmemente para evitar que se pueda mover durante el corte. Utilice abrazaderas siempre que sea necesario.

2. Deje que el motor alcance la velocidad máxima.

3. Introduzca la fresa en la pieza de trabajo mientras avanza lentamente a través de la línea de corte. Mantenga la base totalmente plana contra la pieza de trabajo.

4. Para fresar bordes, mantenga la pieza de trabajo a la izquierda de la fresadora, en relación a la dirección de corte (fig.I). Mantenga una presión constante y permita que la fresa trabaje de forma constante a través del material. Tenga en cuenta que los nudos y otras irregularidades ralentizarán la progresión del corte.

Nota: Para evitar vibraciones y daños, dirija el corte en sentido antihorario para cortes exteriores y en sentido horario para cortes interiores.

Nota: Mover la fresadora demasiado rápido puede provocar un corte de mala calidad y sobrecalentar el motor (6) de la herramienta. Mover la fresadora demasiado despacio puede recalentar excesivamente la pieza de trabajo.

Nota: Para utilizar la fresadora deberá de bajarla siempre después de haberla encendido.

Nota: Utilice la fresadora boca arriba solo cuando esté montada sobre una mesa para fresadora (ej. Mesa para fresadora Triton).

Realizar cortes de varias pasadas

1. El tope de torreta (1) le permitirá alcanzar la profundidad máxima de corte en varias pasadas. Cada paso del tope puede prefiarse mediante la ruedecilla situada en el tope de torreta.
2. Gire el tope de torreta de manera que el tope de profundidad entre en contacto con el paso más alto cuando la fresadora esté bajando. Ahora puede realizar el primer corte.
3. Continúe realizando varias pasadas, girando el tope de torreta en sentido antihorario un paso por cada pasada hasta lograr la profundidad completa de corte.

Cortes circulares

1. Monte la placa de guía (27), sin la guía paralela (22) en la fresadora.
2. Retire el pivote de montaje (26) de la placa de guía y fíjelo en el centro de la superficie de trabajo usando un pequeño clavo o tornillo a través de uno de los agujeros del pivote (imagen M). Deje el perno del pivote en posición correcta.
3. Baje la fresadora y la placa de guía sobre el pivote, vuelva a colocar la arandela y la tuerca de mariposa (imagen N).
4. Con el interruptor en apagado, desplace la fresadora para comprobar el círculo y haga los ajustes necesarios.
5. Efectúe el corte en múltiples pasadas, bajando la profundidad de corte unos 2 mm ($\frac{1}{16}$ ") en cada etapa (imagen T). No intente realizar este tipo de cortes en una sola pasada.
- Cortes pasantes: Para realizar cortes pasantes, coloque un tablero "sacrificial" debajo de la pieza de trabajo. Corte un círculo de mayor dimensión y, cuando el corte esté terminado, reduzca el diámetro hasta el tamaño deseado realizando varias pasadas a la máxima profundidad.

Montaje en una mesa para fresadora

ADVERTENCIA: El diámetro máximo de la fresa debe ser de 50 mm cuando utilice esta fresadora sobre una mesa de fresado TWX7RT001 compatible con el Workcentre Triton.

Nota: Siga las instrucciones indicadas por el fabricante para la utilización y el montaje de esta fresadora en una mesa de fresado.

Nota: Este producto puede ser utilizado de forma eficaz en la mayoría de mesas de fresado aunque está particularmente diseñado para utilizarse con la mesa de fresado Triton RTA300 y TWX7RT001.

Nota: La fresa puede ajustarse de forma fácil. Véase las secciones "Instalación de la fresa y accesorios" y "Ajuste de la profundidad de corte".

ES

Nota: Debe retirar el muelle de profundidad antes de montar esta herramienta en la mesa de fresado.

1. Ajuste la fresadora a la profundidad máxima y enganche la palanca de bloqueo de profundidad (11).
2. Afloje los tornillos pequeños situados en la tapa de acceso al muelle (21).
3. Sujete firmemente la tapa de acceso al muelle (para que el muelle no salga disparado) y gire la tapa en sentido antihorario para retirar el muelle (imagen O).
4. Retire el muelle y guárdelo en un lugar seguro.
5. Vuelva a colocar la tapa de acceso al muelle y apriete los tornillos firmemente.

Nota: Asegúrese de volver a colocar el muelle cuando vaya a utilizar la fresadora en modo manual.

Acceso a los orificios roscados de la placa de guía

1. Para montar esta fresadora sobre una mesa para fresadora de otras marcas, retire los 4 tornillos de la placa de guía (imagen O).
2. Existen 2 tipos de tornillos diferentes (fig. II). Utilice los 4 tornillos con rosca UNC ¼" (A) para instalar la placa de guía o para instalar la herramienta sobre una mesa de fresado. También se suministran 3 tornillos con rosca M6 (B).

Nota: Las versiones más antiguas del modelo TRA001 no incluyen los 3 tornillos con rosca M6.

Accesorios

Existen gran variedad de accesorios y fresas de varios tipos disponibles para esta herramienta a través de su distribuidor Silverline más cercano. Las escobillas de repuesto y pinzas de apriete puede adquirirlas a través de su distribuidor Triton o en www.toolsparsonline.com.

Mantenimiento

⚠ ADVERTENCIA: Desconecte siempre la herramienta de la toma eléctrica antes de realizar cualquier tarea de mantenimiento o limpieza.

Inspección general

- Compruebe regularmente que todos los tornillos y elementos de fijación estén bien apretados. Con el paso del tiempo pueden vibrar y aflojarse.
- Inspeccione el cable de alimentación antes de utilizar esta herramienta y asegúrese de que no esté dañado. Las reparaciones deben realizarse por un servicio técnico Triton autorizado.

Limpieza

⚠ ADVERTENCIA: Utilice SIEMPRE guantes y protección ocular cuando limpie esta herramienta.

- Mantenga la herramienta siempre limpia. La suciedad y el polvo pueden dañar y reducir la vida útil su herramienta.
- Utilice un cepillo suave o un paño seco para limpiar la herramienta.
- Nunca utilice agentes cáusticos para limpiar las piezas de plástico. Se recomienda utilizar un paño humedecido con un detergente suave.
- Nunca deje que el agua entre en contacto con la herramienta.
- Asegúrese de que la herramienta esté completamente seca antes de utilizarla.
- Si dispone de un compresor de aire comprimido, sople con aire seco y limpio para limpiar los orificios de ventilación.

Lubricación

- Aplique regularmente spray lubricante en las piezas móviles.

Sustitución de las escobillas

- Con el tiempo, las escobillas de carbono del motor (6) se desgastarán.
- Si las escobillas se han desgastado excesivamente, el rendimiento del motor puede disminuir, la herramienta tal vez no arranque o quizás observe una excesiva presencia de chispas.
- Para sustituir las escobillas, retire las tapas de acceso a las escobillas (9) situada en cada lado de la herramienta. Retire y sustituya las escobillas por unas nuevas (imagen P). Vuelva a colocar las tapas de las escobillas.
- Encienda la fresadora y déjela funcionando durante 2 – 3 minutos para asentar las escobillas. Quizás note la presencia de chispas hasta que las escobillas se asienten completamente.
- Si tiene dudas sobre como sustituir las escobillas, lleve la herramienta a un servicio técnico autorizado.

Almacenaje

- Guarde esta herramienta y accesorios en un lugar seco y seguro fuera del alcance de los niños.

Reciclaje

Deshágase siempre de las herramientas eléctricas adecuadamente respetando las normas de reciclaje indicadas en su país.

- No deseche las herramientas y aparatos eléctricos junto con la basura convencional. Recícelos siempre en puntos de reciclaje.
- Póngase en contacto con la autoridad local encargada de la gestión de residuos para obtener más información sobre cómo reciclar este tipo de herramientas correctamente.

Solución de problemas

Problema	Causa	Solución
La fresadora no funciona al accionar el interruptor de encendido/apagado (8)	Falta de alimentación eléctrica	Compruebe el suministro eléctrico
	Interruptor de encendido/apagado averiado	Sustituya el interruptor de encendido/apagado en un servicio técnico autorizado Triton
Corte de mala calidad	Tope de profundidad (3) ajustado incorrectamente	Asegúrese de que el tope de profundidad coincida con el ajuste de torreta (1)
	Fresa o pinza de apriete (23) aflojada o colocada de forma incorrecta	Vuelva a apretar la fresa y la pinza de apriete
La fresadora no se enciende	Falta de alimentación eléctrica	Compruebe el suministro eléctrico
	Escobillas gastadas o pegadas	Desconecte la alimentación, abra las tapas de las escobillas (9) y compruebe que no estén desgastadas o dañadas
	Interruptor de encendido/apagado averiado	Sustituya el interruptor de encendido/apagado en un servicio técnico autorizado Triton
	Piezas del motor averiadas o cortocircuito	Repare la herramienta en un servicio técnico autorizado Triton
La fresadora funciona y corta lentamente	Fresa dañada o desgastada	Afile o sustituya la fresa por una nueva
	Ajuste de velocidad (10) al mínimo	Incremente el ajuste de velocidad
	El motor está sobrecargado	Disminuya la presión ejercida sobre la fresadora
Vibración excesiva	Fresa colocada de forma incorrecta o floja	Vuelva a colocar/apretar la fresa
	Fresa doblada o dañada	Sustituya la fresa
Se producen chispas alrededor de la carcasa del motor	Las escobillas no se mueven libremente	Desconecte la herramienta, retire las escobillas, límpielas o sustitúyalas
	Motor averiado	Repare la herramienta en un servicio técnico autorizado Triton
"Clicks" en el microajustador (20) / no se puede ajustar	Palanca de bloqueo de profundidad (11) enganchada	Suelte la palanca de bloqueo de profundidad
	Se ha alcanzado el límite de ajuste máximo permitido	Coloque el microajustador en su posición original y ajuste la profundidad mediante el tope de profundidad (3)
Ruido anormal	Obstrucción mecánica	Repare la herramienta en un servicio técnico autorizado Triton
	Piezas en el interior dañadas	

Garantía

Para registrar su garantía, visite nuestra página Web en www.tritontools.com e introduzca sus datos personales.

Estos datos serán incluidos en nuestra lista de direcciones (salvo indicación contraria) de manera que pueda recibir información sobre nuestras novedades. Sus datos no serán cedidos a terceros.

Recordatorio de compra

Fecha de compra: ___/___/___

Modelo: TRA001 Conserve su recibo como prueba de compra.

Las herramientas Triton disponen de un período de garantía de 3 años. Para obtener esta garantía, deberá registrar el producto online en un plazo de 30 días contados a partir de la fecha de compra. Si durante ese período apareciera algún defecto en el producto debido a la fabricación o materiales defectuosos, Triton se hará cargo de la reparación o sustitución del producto adquirido. Esta garantía no se aplica al uso comercial por desgaste de uso normal, daños accidentales o por mal uso de esta herramienta.

* Registre el producto online en un plazo de 30 días contados a partir de la fecha de compra.

Se aplican los términos y condiciones.

Esto no afecta a sus derechos legales como consumidor.

Declaración de conformidad CE

El abajo firmante: Mr Darrell Morris

Autorizado por: Triton Tools

Declara que el producto:

Código de identificación: 330165

Descripción: Fresadora bi-modo 2400 W

Está en conformidad con las directivas:

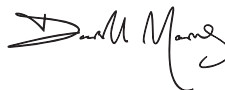
- Directiva de máquinas 2006/42/CE
- Directiva de baja tensión 2006/95/CE
- Compatibilidad electromagnética 2004/108/CE
- Directiva RoHS 2011/65/EU
- EN60745-1:2006+A11:2010
- EN60745-2-17:2010
- EN55014-1:2006+A1+A2
- EN55014-2:1997+A1+A2
- EN61000-3-2:2006+A1+A2
- EN61000-3-3:2013

Organismo notificado: TÜV Rheinland Co., Ltd

La documentación técnica se conserva en: Silverline Tools

Fecha: 24/11/2015

Firma:



Mr Darrell Morris

Director General

Nombre y dirección del fabricante:

Powerbox International Limited, N° de registro: 06897059. Dirección legal: Central House, Church Street, Yeovil, Somerset BA20 1HH, Reino Unido.

ES

Tradução das instruções originais

Introdução

Obrigado por comprar esta ferramenta Triton. Leia estas instruções, pois contêm as informações necessárias para a operação segura e eficiente desta ferramenta. Este produto possui uma série de características exclusivas e, mesmo que você tenha familiaridade com produtos similares, a leitura destas instruções permitirá que tire o máximo proveito de seu design exclusivo. Mantenha este manual sempre à mão, e assegure-se de que todos os usuários da ferramenta leram e compreenderam completamente seu conteúdo.

Descrição dos símbolos

A placa de identificação de sua ferramenta poderá apresentar alguns símbolos. Estes indicam informações importantes sobre o produto, ou instruções sobre seu uso.



Use proteção auricular
Use proteção ocular
Use proteção respiratória
Use proteção de cabeça



Use proteção nas mãos



Leia o manual de instruções



Cuidado!



Aviso: Lâminas ou dentes afiados!



NÃO use sob chuva ou em ambientes úmidos!



Desconecte sempre da tomada elétrica, quando for fazer ajustes, trocar acessórios, limpar, efetuar manutenção ou quando não estiver em uso!



Coleta de pó necessária ou recomendada.



Construção de classe II (isolamento duplo para proteção adicional)



Proteção ambiental. O descarte de produtos elétricos não deve ser feito no lixo doméstico. Faça a reciclagem em locais próprios para isso. Consulte as autoridades locais ou seu revendedor para saber como reciclar.



Cumpra a legislação e os padrões de segurança aplicáveis.

Especificação

Modelo:	TRA001
Voltagem:	220V - 240V - 50Hz, 9.1A
Potência:	2400W
Velocidade sem carga:	8.000 a 21.000 min ⁻¹ variável
Engaste:	½" & 12 mm
Diâmetro máximo da ferramenta de corte:	55mm (50mm quando usada com a WX7RT001)
Tamanho máximo do engaste:	½" (inglês), 12 mm (métrico)
Ajuste de altura:	1) Imersão livre 2) Bobinador de altura de mesa 3) Microajuste (Ajuste fino)
Curso de imersão:	0 a 68mm / 0-2 - 21/32"
Proteção de entrada:	IP20
Classe de isolamento:	□
Comprimento do cabo elétrico:	3 m
Dimensões (C x L x A):	180 x 300 x 310 mm
Peso líquido:	6kg/ 13,2lbs
O nível de intensidade sonora para o operador poderá ultrapassar 85dB(A) e são necessárias medidas de proteção.	
Informações sobre ruído e vibração	
Pressão sonora L_{pa}:	85,5dB(A)
Potência sonora L_{wa}:	96,5dB(A)
Incerteza K:	3 dB
Vibração ponderada a_h:	4,795m/s ²
Incerteza K:	1,5m/s ²
O nível de intensidade sonora para o operador poderá ultrapassar 85dB(A) e, por isso, são necessárias medidas de proteção.	

AVISO: Use sempre proteção auditiva apropriada, quando o ruído da ferramenta ultrapassar 85dB(A), e limite o tempo de exposição ao mínimo necessário. Caso os níveis de ruído se tornem desconfortáveis, mesmo com proteção auditiva, pare imediatamente de usar a ferramenta e verifique se a proteção auditiva está ajustada de forma correta, de modo a proporcionar a atenuação sonora correta, para o nível de ruído produzido pela ferramenta.

AVISO: A exposição do usuário à vibração da ferramenta pode resultar em perda de sentido do tato, dormência, formigamento e diminuição da capacidade de agarrar. A exposição por longo prazo pode levar a uma condição crônica. Caso necessário, limite o período de tempo que fica exposto à vibração e use luvas antivibração. Não use a ferramenta com as mãos expostas a uma temperatura abaixo da temperatura normal confortável, uma vez que a vibração tem mais impacto nessa condição. Use os valores fornecidos na especificação relativa a vibrações, para calcular a duração e frequência de uso da ferramenta.

Os níveis sonoros e de vibração da especificação são determinados de acordo com a norma EN60745, ou por padrão internacional similar. Os valores consideram o uso normal da ferramenta, sob condições de trabalho normais. Uma ferramenta montada, mantida ou usada incorretamente, poderá produzir níveis de ruído, e de vibração, superiores.

O site: www.osha.europa.eu fornece mais informações sobre níveis de vibração e ruído em locais de trabalho, e pode ser útil para usuários domésticos que usam ferramentas por longos períodos de tempo.

Segurança geral

AVISO Leia todos os avisos de segurança e todas as instruções. O descumprimento dos avisos e instruções pode resultar em choque elétrico, incêndio e/ou ferimentos graves.

AVISO: Este equipamento não foi projetado para ser usado por pessoas (inclusive crianças) com capacidade física ou mental reduzida, ou sem experiência ou conhecimento, exceto se estiverem sob supervisão ou houverem recebido instruções relativas ao uso do equipamento pela pessoa responsável por sua segurança. As crianças devem ser supervisionadas para garantir que não brinquem com o equipamento.

Guarde todos os avisos e instruções para consulta futura.

O termo "ferramenta elétrica", nos avisos, se refere a uma ferramenta elétrica que usa alimentação da rede (com cabo elétrico) ou uma bateria (sem cabo elétrico).

1) Segurança na área de trabalho

- Mantenha a área de trabalho limpa e bem iluminada. Áreas desorganizadas ou escuras facilitam os acidentes.
- Não opere ferramentas elétricas em atmosferas explosivas, como na presença de líquidos, gases ou serragens inflamáveis. Ferramentas elétricas produzem faíscas que podem inflamar a serragem ou os gases.
- Mantenha as crianças e observadores à distância, quando operar ferramentas elétricas. Distrações podem fazer você perder o controle.

2) Segurança elétrica

- O plugue de tomada da ferramenta deve ser compatível com a tomada de parede. Nunca modifique um conector, de maneira alguma. Nunca use conectores adaptadores em ferramentas elétricas com fio terra (aterradas). Conectores sem modificações e tomadas corretas reduzem o risco de choques elétricos.
- Evite o contato de seu corpo com superfícies aterradas, como tubos, radiadores, extensões e refrigeradores. Existe um risco maior de choque elétrico se o seu corpo estiver aterrado.
- Não deixe as ferramentas elétricas expostas a chuva ou condições úmidas. A água que entra em uma ferramenta elétrica, aumenta o risco de choque elétrico.
- Não abuse do cabo elétrico. Nunca use o cabo para carregar, puxar ou desconectar a ferramenta elétrica. Mantenha o cabo longe de calor, óleo, bordas afiadas ou peças móveis. Cabos danificados ou emaranhados aumentam o risco de choque elétrico.
- Quando operar uma ferramenta elétrica ao ar livre, use um cabo de extensão adequado para uso externo. A utilização de um cabo adequado para uso externo reduz o risco de choque elétrico.
- Se o uso da ferramenta elétrica em local úmido for inevitável, use uma fonte de alimentação protegida com Dispositivo de Corrente Residual (DR). O uso de um DR reduz o risco de choque elétrico.
- Quando usada na Austrália ou Nova Zelândia, recomenda-se que esta ferramenta seja SEMPRE alimentada através de um Dispositivo de Corrente Residual (DR), com corrente residual nominal de 30mA ou menos.

3) Segurança pessoal

- Mantenha-se alerta, preste atenção no que faz e use de bom senso quando operar uma ferramenta elétrica. Não use ferramentas elétricas quando estiver cansado ou sob influência de drogas, álcool ou medicamentos. Um momento de desatenção, quando se opera uma ferramenta elétrica, pode resultar em ferimentos pessoais graves.
- Use equipamentos de proteção individual. Use sempre proteção ocular. Equipamentos de proteção como máscara respiratória, calçados de proteção antiderrapantes, capacete ou protetores auditivos, usados de acordo com as condições apropriadas, reduzem a ocorrência de ferimentos.
- Evite partidas não intencionais. Certifique-se de que o interruptor esteja na posição desligada, antes de conectar a ferramenta à fonte de alimentação e/ou bateria, quando estiver pegando-a, ou quando estiver transportando-a.

Transportar ferramentas elétricas com seu dedo no interruptor ou energizar ferramentas elétricas com o interruptor na posição ligada, propicia acidentes.

- Remova todas as chaves ou ferramentas de trabalho, antes de ligar a ferramenta elétrica. Uma chave deixada em uma peça rotativa da ferramenta elétrica poderá resultar em ferimentos.
- Não se estique demais. Mantenha sempre o equilíbrio e os pés em local firme. Isto permite um melhor controle da ferramenta em situações inesperadas.
- Vista-se apropriadamente. Não use joias, nem roupas largas. Mantenha cabelos, roupas e luvas longe das peças móveis. Roupas largas, joias e cabelos longos podem ficar presos nas peças móveis
- Se for utilizar dispositivos para a aspiração e coleta de pó, assegure-se de que estejam conectados e sejam usados corretamente. O uso da coleta de pó pode reduzir os riscos associados ao excesso de pó.
- 4) Uso e cuidados com a ferramenta elétrica
 - Não force a ferramenta elétrica. Use a ferramenta correta para sua aplicação. A ferramenta correta fará o trabalho melhor e com mais segurança, com a produtividade para a qual foi projetada.
 - Não use a ferramenta elétrica se o interruptor liga/desliga não estiver funcionando. Qualquer ferramenta que não puder ser controlada com o interruptor liga/desliga é perigosa e deve ser consertada.
 - Desconecte o conector de tomada da rede elétrica e/ou a bateria da ferramenta, antes de realizar quaisquer ajustes, trocar acessórios ou de guardá-la. Estas medidas de segurança preventivas reduzem o risco de se ligar a ferramenta por acidente.

- Guarde a ferramenta elétrica fora do alcance de crianças, quando não estiver em uso, e não permita que pessoas não familiarizadas com a ferramenta, e com estas instruções, a operem. Ferramentas elétricas são perigosas nas mãos de pessoas não treinadas.
- ConsERVE as ferramentas elétricas. Verifique o alinhamento ou emperramento das peças móveis, se existem peças quebradas ou outra condição que possa afetar a operação da ferramenta. Se a ferramenta estiver danificada, providencie o conserto, antes de usá-la. Muitos acidentes são causados por ferramentas mal conservadas.
- Mantenha as ferramentas de corte limpas e afiadas. Ferramentas de corte com bordas afiadas, quando mantidas corretamente, são menos propensas a emperramentos e mais fáceis de controlar
- Use a ferramenta elétrica, seus acessórios e outros elementos de acordo com estas instruções, considerando as condições de trabalho e o serviço a ser executado. O uso da ferramenta para operações diferentes daquelas para as quais foi projetada pode resultar em uma situação de risco
- 5) Serviço
 - Entregue sua ferramenta para reparos a pessoal técnico qualificado, que use apenas peças de reposição originais. Isto garantirá que a ferramenta continuará oferecendo segurança.

Segurança da tupia de imersão



AVISO!

- Segure a ferramenta elétrica apenas pelas empunhaduras e superfícies aderentes isoladas, uma vez que o cortador poderá cortar o próprio cabo da ferramenta. O corte de um cabo eletrificado ("vivo") poderá eletrificar as partes metálicas da ferramenta, provocando um choque no operador.
- Use uma morsa ou outra forma prática de apoiar e prender a peça de trabalho a uma plataforma firme. Segurar a peça de trabalho com a mão ou contra o corpo é um arranjo instável que poderá levar à perda de controle.
- Caso seja necessário trocar o cabo de alimentação, isto deverá ser feito pelo fabricante ou seu agente autorizado, de modo a evitar riscos.
- Recomenda-se que a ferramenta seja sempre alimentada por meio de um dispositivo de corrente residual (DR) com especificação nominal de 30 mA ou menos.
- Use equipamento de segurança, incluindo óculos ou escudo de segurança, proteção auricular, máscara contra pó e roupa de proteção, incluindo luvas.
- Panos, cabos, cordões, etc nunca devem ser deixados na área de trabalho.
- Assegure-se de que a voltagem de alimentação da rede elétrica é igual à voltagem indicada na placa de identificação da ferramenta.
- Certifique-se de que todas as extensões de cabo elétrico, usadas com esta ferramenta, estão em boas condições de segurança, e possuem a capacidade de amperagem exigida pela ferramenta.
- Desenrole completamente extensões de cabo para evitar possíveis superaquecimentos.
- Use os detectores apropriados para determinar a existência de possíveis tubulações de gás, água e eletricidade, localizadas abaixo da superfície de trabalho. Consulte as empresas fornecedoras de água, gás ou eletricidade, se for o caso. O contato com tubulações elétricas poderá provocar choques elétricos e incêndios. Danificar uma tubulação de gás poderá levar a uma explosão. Similamente, o contato com tubulações de água poderá causar grandes danos na instalação.
- Assegure-se de que todos os objetos embutidos da peça de trabalho, como pregos e parafusos, foram removidos antes de começar a operação.
- Manuseie as brocas da tupa com cuidado, pois podem estar extremamente afiadas.
- Antes do uso, verifique a broca com cuidado em busca de sinais de dano ou trincas. Substitua fresas danificadas ou trincadas, imediatamente.
- Assegure-se de manter as brocas/fresas corretamente afiadas. Arestas de corte cegas poderão provocar situações de descontrolado, incluindo o travamento da ferramenta, aumento de calor e eventuais ferimentos.
- Use SEMPRE ambas as mãos e segure a tupa firmemente antes de continuar qualquer trabalho.
- Mantenha as empunhaduras e superfícies aderentes limpas, secas e livres de óleo e graxa, para garantir que a ferramenta pode ser empunhada com firmeza durante o uso.
- Antes de usar a ferramenta para fazer um corte, ligue-a e deixe-a funcionar durante um tempo. Vibração pode indicar que a broca ou fresa está instalada de forma incorreta.
- Observe o sentido de rotação da fresa e a direção de alimentação da peça de trabalho.
- Mantenha suas mãos longe da área de corte e da ferramenta de corte. Ponha sua segunda mão na empunhadura auxiliar ou em uma superfície aderente isolada.
- NUNCA ligue a tupa com a ferramenta de corte em contato com a peça de trabalho.
- Assegure-se sempre de que a mola da tupa está instalada, quando for realizar cortes segurando a tupa com as mãos.
- Assegure-se de que a ferramenta de corte parou completamente antes de colocá-la na posição travada do engaste.
- A velocidade máxima da broca/ferramenta de corte deve ser pelo menos tão elevada quanto a velocidade máxima da ferramenta elétrica.
- As brocas da tupa poderão ficar quentes durante a operação. Não as manuseie imediatamente após o uso para evitar risco de queimaduras.

PT

- u) Não permita que as peças entrem em contato com os materiais consumíveis.
- v) O tamanho da haste da broca/ferr. de corte da tupa deve corresponder exatamente ao tamanho do engaste da tupa. Ferramentas de corte/brocas instaladas incorretamente na tupa irão girar de forma irregular e produzir mais vibração, o que poderá provocar uma perda de controle.
- w) NÃO o botão de trava do mandril, nem tente colocar a ferramenta em modo de troca de broca, enquanto a ferramenta estiver ligada.
- x) mantenha a pressão constante enquanto estiver cortando a peça de trabalho, deixando que a broca dite a velocidade de corte. NÃO force a ferramenta, o que sobrecarregaria o motor.
- y) Certifique-se de que as etiquetas com as especificações da tupa podem ser lidas com facilidade e troque-as caso não possam mais ser lidas com clareza ou se danificarem.
- z) Quando operar a tupa, esteja preparado para o travamento da ferramenta de corte na peça de trabalho, que pode provocar uma perda de controle. Assegure-se sempre de que está segurando a tupa firmemente e de que solta o botão liga/desliga imediatamente, caso essa condição seja perdida.
- Após ligar a tupa, verifique se a broca da tupa está girando uniformemente (sem 'oscilar') e se não existe vibração adicional devido a instalação incorreta da broca. O uso da tupa com uma broca instalada incorretamente poderá provocar perda de controle e ferimentos graves.
- Deve ser tomado cuidado EXTREMO quando se usam ferramentas de corte com diâmetro maior do que 2" (50mm). Use taxas de alimentação muito lentas e/ou múltiplos cortes rasos, para evitar sobrecarga do motor.
- SEMPRE desligue e aguarde a ferramenta de corte parar completamente de girar, antes de retirá-la da peça de trabalho.
- Desconecte a ferramenta da alimentação elétrica, antes de realizar qualquer ajuste, manutenção ou limpeza.

AVISO: Os pó produzidos pelo uso de ferramentas elétricas podem ser tóxicos. Alguns materiais podem ter tratamento ou revestimento químico e criar um risco tóxico. Alguns materiais naturais ou compostos podem conter substâncias tóxicas. Algumas pinturas velhas poderão conter chumbo ou outras substâncias químicas. Evite a exposição prolongada ao pó produzido pela operação da tupa. NÃO permita que o pó atinja sua pele ou olhos, e não deixe que entre em sua boca, de modo a evitar a absorção de substâncias químicas nocivas. Onde possível, trabalhe em uma área bem ventilada. Use uma máscara contra poeira e um sistema de coleta de pó, sempre que possível. Onde houver uma frequência de exposição maior, é mais importante que todas as precauções de segurança sejam seguidas e que seja usado um maior nível de proteção individual.

Familiarização com o produto

1. Batentes da torre
2. Mandril
3. Batente de profundidade
4. Respiros laterais
5. Trava do batente de profundidade
6. Motor
7. Tampa retrátil do interruptor de energia
8. Interruptor de energia
9. Tampas de acesso às escovas do motor
10. Controlador de velocidade
11. Alavanca de trava de imersão
12. Protetores de segurança
13. Parafusos de fixação da base
14. Ponto de conexão do bobinador de altura da mesa
15. Bocal de extração de pó
16. Trava automática do eixo
17. Anel de engaste da manivela do bobinador
18. Botão de seleção de imersão
19. Manivela do bobinador
20. Microbobinador
21. Tampa de acesso à mola de imersão
22. Guia paralela
23. Engaste
24. Bobinador de altura da mesa
25. Chave de boca
26. Suporte pivô de corte circular
27. Base estendida

Figura II

- | | |
|----|-------------------------|
| A. | ¼ UNC x4 |
| B. | M6 x3 |
| C. | Recuo da bobina da mesa |

Uso Pretendido

Tupia de precisão manual para uso com brocas de tupa de até 1/2" e 12 mm, dependendo do engaste instalado. Usada para corte de perfis, ranhuras, bordas e furos alongados em madeira natural e composta. Também usado com escovas guia e moldes para corte de formas, uso de padrões como guias, bem como na instalação estacionária em sistemas de mesa de tupa compatíveis.

Desembalagem da sua ferramenta

- Desembale e inspecione cuidadosamente sua nova tupa de imersão. Familiarize-se com todos os seus recursos e funções.
- Certifique-se de que todas as peças do produto estão presentes e em bom estado. Caso estejam faltando peças ou existam peças danificadas, substitua-as primeiro, antes de tentar usar a ferramenta.

Antes do uso

AVISO: Assegure-se de que a ferramenta está desconectada da fonte de alimentação, antes de instalar ou trocar acessórios, ou fazer quaisquer ajustes.

Instalação do engaste e ferramenta de corte

Nota: Use luvas de proteção quando instalar e remover ferramentas de corte devido às bordas afiadas.

1. Coloque a mesa de cabeça para baixo sobre uma superfície firme e plana, com o motor (6) totalmente parado e o cabo de energia desconectado da tomada de energia.
2. Mirija a tupa até sua profundidade máxima, pressionando o Anel de engaste da manivela do bobinador (17) (figura B) para dentro, e girando a manivela do bobinador (19) no sentido horário até que o engaste (23) saia para fora da base

Nota: Assegure-se de que o batente de profundidade (3) esteja completamente retraído (ver "Batente e torre de profundidade"). O engaste deve sobressair na base, permitindo acesso fácil com uma chave.

3. Usando a chave (25) fornecida, solte o engaste, girando-o no sentido anti-horário até à remoção.
4. selecione o engaste desejado e instale-o no mandril (2), aparafusando o engaste no sentido horário.
5. Insira a ferramenta de corte no engaste , garantindo que pelo menos 20mm, ou metade do eixo (o que for maior), estão inseridos no engaste, e então use a chave para girar o engaste ligeiramente, permitindo que o engaste engaste (figura C). Uma vez engastado, gire a chave no sentido horário para apertar a ferramenta de corte.
6. Retorne a tupa para a profundidade normal de operação. Isto desengatará a trava do engaste e liberará o obturador retrátil, permitindo o acesso ao interruptor de energia Liga/Desliga (8).

Bocal de extração de pó

Nota: A tupa Triton é equipada com um bocal de coleta de pó (15) para extração das serragens por cima do corte. O bocal de coleta de pó aceita a mangueira de (1 1/2") de diâmetro externo, fornecida com o Coletor de pó Triton (DCA300).

- A mangueira de extração de pó se aparafusa na posição por meio da rosca invertida (aperta no sentido anti-horário) (figura D).

Acessório de coleta de serragem opcional

- O seu revendedor Triton tem à disposição uma calha de coleta de pó opcional que permite a coleta eficaz da serragem em toda a extensão da zona de corte. Ela pode ser conectada a qualquer mangueira de diâmetro externo de 38mm (1-1/2") (figura E).

Instalação da base expandida e da guia

1. Localize os parafusos de fixação da base (13) e solte-os completamente. Isto permitirá que os parafusos de fixação engatem nos furos de fixação da tupa na base expandida (27).
2. Vire ambas, a tupa de imersão e a base expandida, de cabeça para baixo.
3. Empurre os parafusos de fixação da base para dentro da tupa de imersão, de forma a expor as pontas dos parafusos de fixação.
4. Alinhe os parafusos de fixação com os furos de fixação da tupa na base estendida, e deslize-os para dentro das fendas (figura K).

Nota: A orientação da base estendida depende de onde se requer o suporte. Para o trabalho de borda, localize o interruptor Liga/Desliga (8) no lado curto e suspenso da base.

5. Aperte os parafusos de fixação da base da tupa de imersão, com firmeza, para prender a tupa à base expandida.
6. Para instalar a Guia (22), solte seus parafusos e deslize a Guia ao longo dos trilhos da base estendida (figura L). Trave na configuração requerida, apertando ambos os parafusos da guia.

Nota: Quando a tupa se enfiar na uma distância da borda, instale a guia na extremidade comprida da base estendida.

Nota: Quando estiver efetuando serviços em bordas com uma ferramenta de corte que não possui guias com rolamentos, encaixe a Guia na extremidade curta da base (figura J)

Nota: Se usar uma ferramenta de corte de diâmetro grande, poderá ser necessário prender blocos de madeira nas faces da guia, através dos furos dos parafusos, para garantir que a ferramenta não entre em contato com a Guia.

Operação

AVISO: Use SEMPRE proteção ocular, auricular e respiratória, bem como luvas apropriadas, quando trabalhar com esta ferramenta.

Acionamento e desligamento

Nota: Quando a tampa está conectada à fonte de energia elétrica, o interruptor Liga/Desliga (8) se acenderá em ambas as posições 'Liga' e 'Desliga'.

Nota: A tampa retrátil do interruptor de energia (7) impede que a tampa seja ligada acidentalmente. Ela deve ser retraída para que a tampa possa ser ligada. A tampa retrátil do interruptor de energia permanecerá aberta até que a tampa seja desligada.

1. Assegure-se que a tampa não tocará em nenhum objeto quando estiver ligada e no alcance máximo de seu espaço de movimentação possível.
2. Conecte o cabo de alimentação na tomada da rede elétrica e deslize a tampa retrátil do interruptor de energia para acessá-lo.
3. Pressione o interruptor de energia para a posição 'I' para ligar a tampa, (figura H). Enquanto o interruptor de energia estiver nesta posição, a tampa ficará retraída.
4. Para desligar a tampa, pressione o interruptor de energia para a posição 'O'. A tampa retrátil deslizará automaticamente para sua posição original.

Controle de velocidade variável

Nota: As configurações de velocidade da tampa não são críticas. Normalmente, deve ser usada a maior velocidade que não provoque marcas de queimadura na peça de trabalho. Siga sempre os limites de velocidade especificados pelo fabricante, quando apresentados.

- A operação em velocidades mais baixas aumenta o risco de danos à tampa devido a sobrecarga. Use taxas de alimentação da peça de trabalho muito lentas e/ou faça múltiplos cortes rasos.
- O controlador de velocidade (10) tem marcas de 1 a 5, que correspondem aproximadamente às velocidades e diâmetros de cortes mostrados abaixo. Gire o botão para selecionar a velocidade requerida

Nível de ajuste	r.p.m	Diâmetro de fresa
5	21.000	Hasta 25 mm (1")
4	18.000	De 25 a 50 mm (1" – 2")
3	14.500	De 50 a 65 mm (2" – 2½")
2	11.000	Mayor de 65 mm (2½")
1	8.000	Usar solo en caso de producirse quemaduras en la pieza de trabajo

Ajuste de profundidade de corte

Nota: Para travar a tampa em uma determinada profundidade de corte, empurre a cabeça da tampa para baixo e gire a alavanca de trava de imersão (11) para sua posição mais baixa. Isto manterá a cabeça da tampa em sua posição

- Existem três métodos de ajuste da profundidade de corte, dependendo da precisão e controle requeridos:

Imersão livre

1. Ajustes livres de profundidade podem ser efetuados com o Botão de seleção de imersão (18) engatado. Pressione o botão de seleção de imersão para dentro da manopla até que ele engate lá dentro (figura A).
2. Solte a Alavanca de trava de imersão (11) e empurre o corpo da tampa até que a profundidade desejada seja atingida. Trave novamente a Alavanca de trava de imersão

Ajuste da manivela do bobinador

1. Os ajustes de profundidade de imersão podem ser feitos girando-se a Manivela do bobinador (19)
2. Desengate o botão de seleção de imersão (18), e assegure que o botão não interfere com a manivela do bobinador.
3. Para soltar a manivela, puxe o Anel de engate da manivela do bobinador (17) para dentro (figura B).
4. Solte a Alavanca de trava de imersão (11) e gire a Manivela do bobinador até atingir a profundidade de corte desejada. Solte o Anel de engate da manivela do bobinador e trave a Alavanca da trava de imersão.

Microbobinador

Nota: Para uso apenas com o modo de imersão da Manivela do bobinador (19).

1. Desengate o botão de seleção de imersão (18) e garanta que a alavanca de trava de imersão (11) está destravada.

Nota: Se o microbobinador (20) for girado com a alavanca da trava de imersão engatada, o microbobinador emitirá o som de cliques e a profundidade de corte permanecerá inalterada.

2. Gire o microbobinador no sentido horário para aumentar a profundidade de corte e no sentido anti-horário para reduzir a profundidade de corte. Ajuste a profundidade de corte até ser alcançada a altura desejada

Nota: Quando for atingida a final da escala de ajuste de profundidade, o microbobinador oferecerá maior resistência e começará a emitir o som de cliques.

3. Engate a alavanca de trava de imersão, particularmente nos cortes pesados.

Batente de profundidade e da torre

1. O batente de profundidade (3) e os batentes da torre (1) são usados para pré-configurar três profundidades de corte diferentes.
2. Solte a Trava do batente de profundidade (5) e retraia totalmente o Batente de profundidade (3) e reaperte (figura F).
3. Ajuste os postes de torre nas profundidades de imersão requeridas, usando as escalas do poste fixo da torre (figura G).

Nota: Para alterar os postes da torre, gire todo o conjunto da torre para que fique alinhado com o Batente de profundidade.

Com a ferramenta de corte desejada instalada no engaste (23), ajuste a profundidade de imersão até que a ponta da ferramenta de corte toque na peça de trabalho.

4. Gire a torre até que o poste fixo da torre esteja alinhado com o Batente de profundidade. Solte o batente, permitindo que ele cubra o poste e, então, reaperte a Trava do batente de profundidade. A profundidade de imersão está, agora, em zero.
5. Gire os batentes da torre até o poste da torre com a profundidade de imersão desejada esteja alinhada com o Batente de profundidade.

Buchas guia modelo opcionais

Existem diversas buchas guia modelo à disposição para uso com a tampa. O seu revendedor local Triton também possui kits de acessórios à venda.

Realização de cortes

Nota: NUNCA use a tampa à mão livre sem algum tipo de guia. Podem ser usadas como guias, a broca de tampa guiada por rolamentos, as guias fornecidas ou uma borda reta (Image I).

1. Segure SEMPRE a tampa com ambas as mãos, pelas empunhaduras existentes. Garanta que a peça de trabalho não se move. Use abraçadeiras sempre que possível.
2. Deixe que o motor atinja sua velocidade de operação normal.
3. Abaixar a broca da tampa na peça de trabalho enquanto desloca a tampa lentamente, mantendo a base firme contra a peça de trabalho.
4. Caso esteja cortando uma borda, a peça de trabalho deve ficar no lado esquerdo em relação ao sentido de corte, (fig. I). Mantenha a pressão constante e deixe a ferramenta trabalhar uniformemente no material. Esteja ciente de que nós e outras variações na madeira diminuirão a taxa de progresso.

Nota: Para evitar trepidação da broca, oriente o corte no sentido anti-horário, no caso de cortes externos, e no sentido horário, no caso de corte internos.

Nota: A movimentação rápida demais da tampa poderá resultar em baixa qualidade do acabamento e sobrecarga do motor (6). Mover a tampa muito lentamente poderá resultar no superaquecimento da peça de trabalho.

Nota: Na operação normal de uma tampa, a cabeça de corte deve imergir quando a tampa é ligada.

Nota: Não use a tampa de cabeça para baixo, a menos que seja fixada firmemente em uma mesa de tampa com as devidas proteções (por ex. mesa da marca Triton).

Realização de cortes de múltiplos passes

1. O Batente da torre (1) permite que a máxima profundidade de corte seja atingida em um número de passes de corte determinado pelo operador. Cada passe de corte da torre pode ser pré-ajustado através do ajuste do seletor rotativo no poste da torre.
2. Gire o Batente da torre de modo que o Batente de profundidade entre em contato com o poste da torre que possui o ajuste mais elevado, quando a tampa é imersa. O primeiro passe de corte poderá, então, ser efetuado.
3. Continue realizando passes, girando o batente da torre e ajustando a profundidade do poste da torre a cada passo, se necessário, até que a profundidade total de corte seja atingida.

Corte em círculos

1. Encaixe a base expandida (27) na tampa, sem o acessório da guia (22).
2. Remova o Suporte pivô de corte circular (26) da base expandida e fixe-o ao centro da peça de trabalho, usando um prego ou parafuso pequeno, através de um dos furos do suporte pivô, (figura M). Deixe o parafuso do suporte pivô na posição
3. Abaixar a tampa e base sobre o suporte pivô e reinstale a arruela e a porca borboleta, (figura N).
4. Com a energia desligada, gire a tampa ao longo do trajeto desejado para verificar o círculo, e faça os ajustes necessários.
5. Corte o círculo em vários passes, abaixando a profundidade de corte em aproximadamente 2mm (1/8") a cada passe, (figura T) Não tente cortar profundamente em um único passe.

- Cortes diretos: Caso pretenda fazer um corte direto, prenda uma tábua de material descartável na parte inferior da peça de trabalho. Faça o primeiro corte circular até ao final com diâmetro bem grande e, depois, reduza o diâmetro e vá trabalhando até atingir o tamanho requerido, usando passes leves de profundidade total.

Operação em mesa

AVISO: Quando usada com o Módulo de mesa de tampa do Centro de trabalho Triton, TWX7RT001, o diâmetro máximo da ferramenta de corte é de 50 mm. Isto é definido pela especificação do Centro de trabalho.

Nota: A instalação e utilização desta tampa em uma mesa de tampa devem ser realizadas de acordo com a documentação fornecida com a mesa de tampa.

Nota: Embora este produto tenha sido concebido para operação fácil e eficiente na maioria

das mesas de tulpia, ele é particularmente adequado para uso com a mesa de tulpia RTA300 e TWX7RT001 da Triton.

Nota: Os ajustes de tulpia são extremamente fáceis devido às características exclusivas descritas anteriormente neste manual. Consultar 'Instalação e troca de ferramentas de corte' e 'Ajuste da profundidade de corte'.

Nota: A mola de imersão DEVE ser removida antes que esta tulpia seja instalada em uma mesa:

1. Ajuste a tulpia no topo de sua faixa de imersão e engate a Alavanca de trava de imersão (11).
2. Solte algumas voltas do pequeno parafuso que fica próximo à Tampa de acesso à mola de imersão (21).
3. Segurando a tampa de acesso à mola de imersão firmemente, de modo que a mola não venha para cima quando solta, gire a tampa no sentido anti-horário, para removê-la, (figura 0).
4. Remova a mola e guarde-a em um lugar seguro.
5. Substitua a tampa da mola de imersão e reaperte o parafuso.

NOTA: Certifique-se de reinstalar a mola de imersão antes de usar a tulpia em trabalhos à mão livre.

Acesso às roscas dos parafusos da base

1. Para instalar a tulpia em uma mesa de tulpia de terceiros, ou em uma mesa particular construída por você, remova os 4 parafusos da base, indicados na figura 0, e remova a base.
2. Existem 2 conjuntos de roscas de parafuso, como mostrado na figura II. Existem as roscas de 4-1/4 UNC (A), usadas para prender a base, e também adequadas para instalação em mesa e um conjunto alternativo de 3 x M6 roscas (B).

Nota: As roscas M6 não era fornecidas nas versões anteriores da tulpia TRAO01.

Acessórios

- Seu revendedor Triton possui uma ampla linha de acessórios adequados a esta ferramenta, incluindo uma grande seleção de ferramentas de corte/fresas de tulpia. Peças de reposição, incluindo buchas, buchas guia e engastes também podem ser encontradas à venda em seu revendedor Triton ou no site www.toolsparsonline.com.

Manutenção

AVISO: SEMPRE desconecte a ferramenta da alimentação elétrica, antes de realizar qualquer manutenção/limpeza.

Inspeção geral

- Verifique regularmente se todos os parafusos de fixação estão apertados.
- Inspeccione o cabo de energia da ferramenta, antes de cada utilização, em busca de desgaste ou danos. Reparos devem ser realizados por um Centro de Serviços Autorizado da Triton E isto também se aplica aos cabos de alimentação elétrica da ferramenta.

Limpeza

AVISO: Use SEMPRE equipamento de proteção, incluindo proteção ocular e luvas, quando limpar esta ferramenta.

- Mantenha sua ferramenta limpa o tempo todo. A sujeira e o pó produzem desgaste acelerado das peças internas e encurtam a vida útil da ferramenta.
- Limpe o corpo de sua ferramenta com uma escova macia e pano seco.
- Nunca use agentes cáusticos para limpar peças plásticas. Caso não seja suficiente uma limpeza seca, recomenda-se o uso de um pano úmido com detergente suave.
- Água não deve nunca entrar em contato com a ferramenta.
- Assegure-se de que a ferramenta está completamente seca, antes de usá-la.
- Se houver ar comprimido disponível, use-o para soprar a sujeira nos orifícios de ventilação (onde aplicável).

Lubrificação

- Lubrifique ligeiramente todas as peças móveis a intervalos regulares, usando um lubrificante aerossol adequado.

Escovas

- Com o tempo, as escovas de carbono do motor poderão ficar gastas.
- Escovas excessivamente gastas podem causar perda de potência, falhas intermitentes ou centelhamento visível.
- Para trocar as escovas, remova as duas Tampas de acesso às escovas (9). Remova cuidadosamente as escovas gastas (figura P) e assegure-se de que os soquetes estão limpos. Substitua as escovas com cuidado e, depois, troque as tampas de acesso.
- Após a substituição, funcione a tulpia sem carga durante 2 a 3 minutos para ajudar a assentar as escovas. O processo completo de assentamento poderá requerer várias utilizações. O centelhamento no motor poderá continuar até que as novas escovas de carbono tenham assentado.
- Alternativamente, leve a máquina a um Centro de Serviço Autorizado da Triton.

Armazenamento

- Guarde esta ferramenta com cuidado, em um lugar seco e seguro, fora do alcance de crianças.

Descarte

Cumpra sempre as leis nacionais ao descartar ferramentas elétricas que não funcionam mais e cujo reparo não é mais viável.

- Não descarte ferramentas elétricas, ou outros equipamentos elétricos e eletrônicos (WEEE), no lixo doméstico.
- Contate a autoridade local de eliminação de resíduos para saber o modo correto de descartar ferramentas elétricas.

Resolução de problemas

Problema	Possível causa	Solução
A ferramenta não funciona quando se aciona o interruptor Liga/Desliga (8).	Não há energia	Verifique a fonte de alimentação elétrica
	Interruptor de energia danificado	Troque o interruptor Liga/Desliga em um Centro de Serviços Autorizado da Triton.
Perfil de corte sem precisão	O Batente de profundidade (3) não está ajustado corretamente	Assegure-se de que o Batente de profundidade corresponde à máxima quantidade de corte permitida pelos Batentes da torre (1)
	Ferramenta de corte/Engaste instalados incorretamente ou soltos (23)	Aperte o conjunto ferramenta de corte/engaste
A tupa não funciona	A energia elétrica não está chegando à tupa	Verifique se existe energia elétrica na fonte
	Escovas gastas ou aderentes	Desconecte a energia, abra as tampas de acesso às escovas (9) e assegure-se de que as escovas não estão excessivamente gastas ou danificadas
	O interruptor está defeituoso	Leve a máquina a um Centro de Serviços Autorizado da Triton
	Componentes do motor defeituosos ou em curto-circuito	
A tupa se desloca ou corta lentamente	Ferramenta de corte cega ou danificada	Amole ou troque a ferramenta de corte
	Controlador de velocidade (10) na velocidade baixa	Aumente o ajuste de velocidade variável
	Motor sobrecarregado	Diminua a força que exerce sobre a tupa
Vibração excessiva	Ferramenta de corte solta ou instalada incorretamente	Reinstale ou aperte a ferramenta de corte
	Ferramenta de corte curvada ou danificada	Substitua a ferramenta de corte
Cantelhamento pesado dentro do alojamento do motor	As escovas não estão se movendo livremente	Desconecte a energia elétrica, remova as escovas, e limpe ou troque-as
	Motor danificado ou desgastado	Leve a máquina a um Centro de Serviços Autorizado da Triton
O microbobinador (20) produz som de "cliques" ou não se ajusta	A alavanca de trava de imersão (11) está engatada	Solte a Alavanca da trava de imersão
	Atingido o fim da faixa de ajuste	Reinicie o microbobinador e ajuste a profundidade com Batente de profundidade (3)
Faz um som incomum	Obstrução mecânica	Leve a máquina a um Centro de Serviços Autorizado da Triton
	Danos nos enrolamentos internos	

Garantia

Para registrar sua garantia, visite nosso site em www.tritontools.com* e cadastre suas informações.

Seus dados serão incluídos em nossa lista de endereços (a menos que indicado de outro modo) para que você receba informações sobre lançamentos futuros. Os dados que nos fornecer não serão repassadas a terceiros.

Registro de compra

Data de compra: ___ / ___ / ___

Modelo: TRA001 Retenha sua nota fiscal como comprovante de compra.

A Triton Precision Power Tools garante ao comprador deste produto que se qualquer peça estiver comprovadamente defeituosa devido a falhas de material ou mão de obra durante os próximos 3 anos a partir da data da compra original, Triton irá reparar ou, a seu critério, substituir a peça defeituosa sem custo.

Esta garantia não se aplica ao uso comercial nem se estende ao desgaste normal ou a danos decorrentes de acidente, abuso ou uso indevido.

* Registre-se online dentro de 30 dias após a compra.

Termos e condições aplicáveis.

Isto não afeta seus direitos legais.

Declaração de conformidade

O abaixo assinado: Sr. Darrell Morris

Conforme autorizado por: Triton Tools

Declara que o equipamento

Código de identificação: 330165

Descrição: Fresadora bi-modo 2400 W

Está em conformidade com os seguintes padrões e diretivas:

- Directiva de máquinas 2006/42/CE
- Directiva de baixa tensão 2006/95/CE
- Compatibilidade eletromagnética 2004/108/CE
- Directiva RoHS 2011/65/UE
- EN60745-1:2006+A11:2010
- EN60745-2-17:2010
- EN55014-1:2006+A1+A2
- EN55014-2:1997+A1+A2
- EN61000-3-2:2006+A1+A2
- EN61000-3-3:2013

Orgão notificado: TÜV Rheinland Co., Ltd

A documentação técnica é mantida pela: Triton Tools

Data: 24/11/2015

Assinado:



Mr Darrell Morris

Diretor Geral

Nome e endereço do fabricante:

Powerbox International Limited, Company No. 06897059. Registered address: Central House, Church Street, Yeovil, Somerset BA20 1HH, United Kingdom.

PT

Tłumaczenie oryginalnej instrukcji

Wstęp

Dziękujemy za zakup narzędzia marki TRITON. Zapoznaj się z niniejszymi instrukcjami: zawierają one informacje niezbędne dla bezpiecznej i wydajnej obsługi produktu. Produkt posiada szereg unikalnych funkcji, dlatego też, nawet, jeśli jesteś zaznajomiony z podobnymi produktami, przeczytanie instrukcji obsługi umożliwi Ci pełne wykorzystanie tego wyjątkowego projektu. Przechowuj niniejsze instrukcje w zasięgu ręki i upewnij się, że użytkownicy narzędzia przeczytali i w pełni zrozumieli wszystkie zalecenia.

Opis symboli

Tabela znamionowa zawiera symbole dotyczące narzędzia. Stanowią one istotne informacje o produkcie lub instrukcje dotyczące jego stosowania.



Należy nosić środki ochrony słuchu
Należy nosić okulary ochronne
Należy nosić środki ochrony dróg oddechowych
Należy używać kasku ochronnego



Należy nosić rękawice ochronne



Należy w całości przeczytać instrukcję obsługi



Uwaga!



Ostrzeżenie: Ostre zęby/ostrze



Należy zawsze odłączać urządzenie od zasilania elektrycznego, podczas regulacji, wymiany akcesoriów, czyszczenia, konserwacji oraz gdy nie jest w użytku!



Wymagany lub zalecany system ekstrakcji pyłu



Instrukcja klasy II (podwójnie izolowana dla dodatkowej ochrony)

Dane techniczne

Numer modelu:	TRA001
Napięcie prądu elektrycznego:	220 - 240V – 50Hz, 9,1 A
Moc :	2400 W
Prędkość bez obciążenia:	8 000 do 21 000 obr./min
Tuleje zaciskowe:	1/2" i 12 mm
Maksymalna średnica frezu:	55 mm (50 mm przy użyciu z WX7RT001)
Maksymalny rozmiar tulei zaciskowej:	1/2" (całe), 12 mm (metryczne)
Regulacja wysokości:	1) Trzpień wgłębny swobodny 2) Pokrętko regulacji wysokości stołu 3) Mikropokrętko (drobna regulacja)
Zasięg obróbki wgłębnej:	0 – 68 mm / 0 – 2 – 3/5"
Stopień ochrony:	IP20
Klasa ochrony:	
Długość przewodu zasilania:	3 m
Wymiary (dł. szer. x wys.):	180 x 300 x 310 mm
Waga:	6,3 kg / 13,9 lbs
W wyniku nieprzerwanego procesu rozwojowego produktów specyfikacje produktów Triton mogą ulec zmianie bez uprzedniego powiadomienia.	
Parametry emisji dźwięku i wibracji:	
Poziom ciśnienia akustycznego L_{pA} :	85,5 dB(A)
Poziom mocy akustycznej L_{WA} :	96,5 dB(A)
Niepewność pomiaru K:	3 dB
Wartość emisji wibracji a_{hh} :	4,795 m/s^2
Niepewność pomiaru K:	1,5 m/s^2
Poziom natężenia dźwięku dla operatora może przekroczyć 85dB(A) dlatego konieczne jest zastosowanie środków ochrony słuchu.	

OSTRZEŻENIE: Jeżeli poziom hałasu przekracza 85dB(A) należy zawsze stosować środki ochrony słuchu oraz, jeśli to konieczne, ograniczyć czas narażenia słuchu na nadmierny hałas. Jeśli poziom hałasu powoduje dyskomfort, nawet w przypadku zastosowania środków ochrony słuchu, niezwłocznie przestań korzystać z narzędzia i sprawdź czy środek ochrony słuchu jest prawidłowo zamontowany i zapewnia odpowiedni poziom tłumienia dźwięku w odniesieniu do poziomu hałasu wytwarzanego przez narzędzie.

OSTRZEŻENIE: Narażenie użytkownika na wibracje narzędzia może spowodować utratę zmysłu dotyku, drgawienie, mrowienie i zmniejszenie zdolności uchwytu. Długotrwałe narażenie może prowadzić do stanu przewlekłego. Jeśli jest to konieczne, ogranicz czas narażenia na wibracje i stosuj rękawice antywibracyjne. Nie korzystaj z urządzenia w trybie ręcznym w temperaturze niższej niż normalna komfortowa temperatura otoczenia, ponieważ zwiększy to efekt wywoływany przez wibracje. Skorzystaj z wartości liczbowych podanych w specyfikacji dotyczącej wibracji, aby obliczyć czas trwania i częstotliwość pracy z narzędziem.

Poziom hałasu i drgań w specyfikacji określone są zgodnie z normą EN60745 lub podobnymi normami międzynarodowymi. Wartości te reprezentują korzystanie z urządzenia w normalnych warunkach roboczych. Niedbala konserwacja, nieprawidłowy montaż lub nieprawidłowe użytkowanie urządzenia mogą spowodować wzrost poziomów hałasu oraz wibracji. www.osha.europa.eu dostarcza informacji na temat poziomów hałasu i wibracji w środowisku pracy, które mogą być przydatne dla użytkowników prywatnych, korzystających z urządzenia przez długi czas.

Ogólne Instrukcje dotyczące bezpieczeństwa

OSTRZEŻENIE! Przeczytaj wszystkie ostrzeżenia i instrukcje bezpieczeństwa.

Nieprzeznaczenie ostrzeżeń i instrukcji może prowadzić do porażenia prądem, pożaru i / lub poważnych obrażeń.

OSTRZEŻENIE: Urządzenie nie jest przeznaczone do użytkowania przez osoby (w tym dzieci) o ograniczonej sprawności fizycznej lub umysłowej, lub o braku doświadczenia i wiedzy, chyba, że będą one nadzorowane lub zosnągą poinstruowane na temat korzystania z urządzenia przez osobę odpowiedzialną za ich bezpieczeństwo. Należy pilnować, aby dzieci nie próbowały korzystać z urządzenia, jako zabawki.

Zachowaj wszystkie ostrzeżenia i instrukcje na przyszłość.

Termin „elektronarzędzie” odnosi się do urządzenia zasilanego sieciowo (przewodowego) lub urządzenia zasilanego za pomocą baterii (beprzewodowego).

1) Bezpieczeństwo obszaru pracy

- Zadbaj o prawidłową higienę i prawidłowe oświetlenie obszaru pracy. Zanieczyszczenie lub brak wystarczającego oświetlenia obszaru pracy mogą doprowadzić do wypadków.
- Nie należy używać elektronarzędzi w przestrzeniach zagrożonych wybuchem, np. w obecności łatwopalnych ciekłych, gazów lub pyłów. Urządzenia elektryczne wytwarzają iskry, które mogą podpaść pył lub opary.
- Nie dopuszczaj dzieci ani innych osób do obszaru pracy elektronarzędzi. Nieuwaga może spowodować utratę kontroli.

2) Bezpieczeństwo elektryczne

- Wytacza elektronarzędzia musi pasować do gniazda zasilania. Nie wolno modyfikować wtyczki w żaden sposób. W przypadku elektronarzędzi z uzziemieniem nie należy stosować przejściówek. Oryginalne wtyczki i pasujące gniazda zmniejszają ryzyko porażenia prądem.
- Unikaj dotykania uziemionych powierzchni, takich jak rury, grzejniki, piece i lodówki. Uziemienie ciała powoduje zwiększenie ryzyka porażenia prądem.
- Nie wystawiaj elektronarzędzi na działanie deszczu lub wilgoci. Przedostanie się wody do urządzenia zwiększa ryzyko porażenia prądem.
- Nie należy nadwyręzać kabla. Nigdy nie używaj go do przenoszenia, przeciągania lub odłączania elektronarzędzia. Trzymaj przewód z dala od źródeł ciepła, oleju, ostrych krawędzi lub ruchomych części urządzenia. Uszkodzone lub poplątane kable zwiększają ryzyko porażenia prądem.
- W przypadku korzystania z urządzenia na wolnym powietrzu używaj przedłużacza przystosowanego do użycia na zewnątrz. Korzystanie z przedłużacza przystosowanego do użycia na zewnątrz zmniejsza ryzyko porażenia prądem.
- W przypadku korzystania z elektronarzędzia w miejscu o dużym natężeniu wilgoci należy używać gniazda zasilania wyposażonego w wyłącznik różnicowoprądowy (RCD). Korzystanie z wyłącznika różnicowoprądowego zmniejsza ryzyko porażenia prądem.

3) Bezpieczeństwo osobiste

- Podczas korzystania z elektronarzędzi bądź czujny, uważaj, co robisz i zachowaj zdrowy rozsądek. Nie używaj ich, gdy jesteś zmęczony albo pod wpływem narkotyków, alkoholu lub leków. Chwilą nieuwagi podczas obsługi urządzenia może spowodować poważne obrażenia ciała.
- Korzystaj ze środków ochrony osobistej. Zawsze stosuj środki ochrony oczu. Wyposażenie ochronne, takie jak maska przeciwpyłkowa, obuwie robocze antypoślizgowe na szorstkiej podszewce, kask ochronny lub nasuszniki ochronne używane w odpowiednich warunkach, zmniejsza ryzyko obrażeń.
- Zapobiegaj przypadkowemu włączeniu urządzenia. Przed podłączeniem do źródła zasilania i / lub akumulatora, podnoszeniem lub przenoszeniem narzędzia, upewnij się, że przełącznik zasilania znajduje się w pozycji wyłączonej. Przenoszenie urządzenia z palcem umieszczonym na wyłączniku zasilania lub podłączenie elektronarzędzi przy włączonym przełączniku zasilania stwarza ryzyko wypadku.
- Przed włączeniem elektronarzędzia usuń z niego wszelkie klucze regulacyjne. Narzędzie lub klucz pozostawiony w obracającej się części elektronarzędzia może spowodować obrażenia ciała.
- Nie wychylaj się. W każdej chwili zachowuj odpowiednią pozycję i równowagę. Umożliwia to lepszą kontrolę nad elektronarzędziem w nieoczekiwanych sytuacjach.
- Noś odpowiednią odzież. Nie zakładaj do pracy z elektronarzędziem luźnej odzieży ani biżuterii. Trzymaj włosy, odzież i rękawice z dala od ruchomych części urządzenia. Luźne ubranie, biżuteria lub długie włosy mogą zostać wciągnięte przez ruchome części urządzenia.
- Jeśli do zestawu załączone są urządzenia do podłączenia mechanizmów odsysania i zbierania pyłu, sprawdź czy są one przyłączone i prawidłowo zamocowane. Korzystanie z urządzenia odsysającego pył może zmniejszyć zagrożenie pyłami.

4) Użytkowanie i pielęgnacja elektronarzędzia.

- Nie należy przeciążać urządzenia. Używaj narzędzi odpowiednich do danego zastosowania. *Prawidłowe narzędzie wykoną zadanie lepiej i bezpieczniej w podanym zakresie sprawności.*
- Nie należy używać urządzenia, jeśli nie można go włączyć lub wyłączyć za pomocą odpowiedniego przełącznika. *Urządzenia, które nie mogą być kontrolowane za pomocą przełącznika są niebezpieczne i muszą zostać oddane do naprawy.*
- Przed dokonaniem regulacji, wymiany akcesoriów lub przechowywaniem elektronarzędzia odłącz wtyczkę od źródła zasilania i / lub akumulator od urządzenia. *Te prewencyjne środki bezpieczeństwa zmniejszają ryzyko przypadkowego uruchomienia elektronarzędzia.*
- Nie używaj elektronarzędzie zachowuj w miejscu niedostępnym dla dzieci i nie dopuszczaj do nich osób nie znających elektronarzędzi lub ich instrukcji

obsługi. Elektronarzędzia stanowią niebezpieczeństwo w rękach niedoświadczonych użytkowników.

- Przeprowadzaj konserwacje elektronarzędzi. Sprawdź urządzenie pod kątem nieprawidłowego ustawienia lub zablokowania elementów ruchomych, krętkie części lub innych usterek, które mogą mieć negatywny wpływ na funkcjonowanie urządzenia. W przypadku usterek należy naprawić urządzenie przed ponownym użyciem. *Niewłaściwa konserwacja elektronarzędzi jest przyczyną wielu wypadków.*
- Utrzymuj narzędzia tnące w czystości i dobrze naostrzone. *Zadbane narzędzia tnące z ostrymi krawędziami tnącymi rzadziej się zacinają i łatwiej nimi sterować.*
- Używaj elektronarzędzia, akcesoria, końcówki itp. zgodnie z tymi instrukcjami, biorąc pod uwagę warunki pracy i realizowane zadania. *Używanie narzędzi do wykonywania prac niezgodnych z ich przeznaczeniem może doprowadzić do niebezpiecznych sytuacji.*

UWAGA: W przypadku korzystania z urządzenia w Australii lub Nowej Zelandii, zalecane jest zasilanie urządzenia TYLKO z wykorzystaniem wyłącznika różnicowoprądowego (RCD) o znamionowym prądzie różnicowym nie przekraczającym 30 mA

5) Serwis

- Urządzenie powinno być serwisowane przez wykwalifikowany personel naprawczy przy użyciu wyłącznie oryginalnych części zamiennech. *Zagwarantuje to bezpieczeństwo elektronarzędzia.*

Dodatkowe zasady bezpieczeństwa dotyczące korzystania z frezarek

- Należy trzymać urządzenie wyłącznie za izolowane uchwyty gdyż może dojść do nagłego kontaktu ostrzy z przewodem zasilania. *Przebiecie przewodu pod napięciem może spowodować, że odkryte metalowe elementy elektronarzędzia staną się przewodnikami prądu i mogą porazić operatora.*
 - Zaleca się korzystanie z zacisków, bądź innej podobnej metody do zabezpieczenia elementu obróbki na stabilnym podłożu. *Przytrzymanie obrabianego elementu rękoma bądź opierając go o siebie, sprawia, że jest on niestabilny i stanowi ryzyko utraty kontroli.*
 - W razie konieczności wymiany przewodu zasilania, należy jej dokonać przez producenta bądź jego powiernika, aby uniknąć ryzyka bezpieczeństwa.
 - Zalecane jest zasilanie urządzenia TYLKO z wykorzystaniem wyłącznika różnicowoprądowego (RCD) o znamionowym prądzie różnicowym nie przekraczającym 30 mA.
- Należy stosować środki ochrony osobistej, w tym okulary ochronne albo maskę, ochraniacze słuchu, maskę przeciwpyłkową oraz odzież ochronną, w tym rękawice ochronne.
 - Nie należy pozostawiać w obszarze roboczym odzieży, przewodów, sznurów itp.
 - Upewnij się, napięcie zasilania sieci jest taka samo jak napięcie określone na tabliczce znamionowej.
 - Upewnij się, że przedłużacze używane przy narzędziu są w bezpiecznym stanie elektrycznym i posiadają prawidłowy amperaż, odpowiedni dla danego narzędzia.
 - Należy całkowicie rozwijać przedłużacze bębnowe, aby uniknąć przegrzania.
 - Zawsze sprawdzaj ściany, podłogi i sufity w celu uniknięcia ukrytych kabli zasilających i rur. Skonsultuj się z przedsiębiorstwami użytkownicy publicznej o pomoc, w razie konieczności. Kontakt z przewodami będącymi pod napięciem może doprowadzić do porażenia prądem lub pożaru. Uszkodzenie rury gazowej może doprowadzić do wybuchu. Kontakt z liniami wodnymi może doprowadzić do poważnego uszkodzenia mienia.
 - Przed rozpoczęciem obróbki upewnij się, że z przedmiotu obrabianego zostały usunięte wszystkie osadzone w nim elementy, takie jak gwoździe i śruby.
 - Ostrożnie obchodź się z frezami, ponieważ mogą być one bardzo ostre.
 - Przed skorzystaniem z frezu dokładnie sprawdź go pod kątem uszkodzeń lub pęknięć. Należy niezwłocznie wymienić uszkodzone lub pęknięte frezy.
 - Upewnij się, że frezy/łyty są odpowiednio konserwowane. Zużyte krawędzie tnące mogą doprowadzić do niekontrolowanej sytuacji, jak zwiększenie ciepła i możliwe uszkodzenia.
 - ZAWSZE** Stosuj oba uchwyty frezarki i przed rozpoczęciem pracy upewnij się, że możesz dobrze i prawidłowo chwycić urządzenie.
 - Uchwyty oraz ich powierzchnia powinna być sucha, czysta bez oleju i smaru, przed uruchomieniem upewnij się, że urządzenie może być bezpiecznie trzymane podczas pracy
 - Przed rozpoczęciem cięcia na chwilę uruchom urządzenie. W przypadku nieprawidłowego zainstalowania frezu odczujesz wibracje.
 - Sprawdź kierunek obrotów frezu i kierunku posuwu
 - Trzymaj rękę z dala od obracającego się frezu. Trzymaj dodatkową ręką jeśli bądź izolowany uchwytem drugą ręką.
 - Nigdy nie uruchamiaj frezarki, jeśli frez dotyka przedmiotu obróbki
 - Przy obsłudze w trybie ręcznym, upewnij się, że zamocowana jest sprężyna trzpienia węgłowego
 - Przed wcięciem do pozycji blokady tulei zaciskowej upewnij się, że frez jest całkowicie zatrzymany
 - Maksymalna prędkość bitu/frezu musi być przynajmniej tak szybka jak maksymalna szybkość urządzenia
 - Nie dotykaj frezów bezpośrednio po zakończeniu użytkowania narzędzia - ulegają one silnemu nagrzaniu. Zażrą po zakończeniu pracy nie dotykaj akcesoriów, gdyż grozi to poparzeniem.
 - Do not allow parts to come into contact with combustible materials
 - Należy stosować wyłącznie frezy o średnicy trzonu odpowiadającej tulei lub tulejom zaciskowym dostarczonym w danej frezarce. Niepoprawnie zamontowane bity/frezy będą nierówno się obracać, co wzmoże siłę wibracji, co może być powodem utraty kontroli

PL

- w) NIE wciskaj przycisku blokady wrzeczona, bądź nie próbuj dokonać wymiany akcesoriów, kiedy frezarka znajduje się w stanie pracy
- x) Utrzymuj to samo napięcie podczas pracy w materiale, pozwalając frezowi dyktować prędkość cięcia. NIE przeciążaj urządzenia, ani silnika
- y) Upewnij się, że tabliczka znamionowa oraz inne ostrzeżenia, znajdujące się na maszynie są czyste i łatwe do odczytania, w razie zniszczenia należy je natychmiast wymienić
- z) Podczas operowania maszyną, należy być przygotowanym na zakleszczenie się frezu w materiale, a co za tym idzie utratę kontroli. Miej pewność, że maszyna jest mocno i pewnie trzymana, zaś włącznik on/off jest natychmiastowo zwolniony w podobnych okolicznościach
- Po włączeniu frezarki, należy sprawdzić, czy frez obraca się równomiernie, bez odczuwalnych wibracji, co wskazuje na niepoprawne zamontowanie bitu. Urzyskanie z frezarki z niepoprawnie zamontowanym bitem, może spowodować utratę kontroli i grozi obrażeniami
 - Podczas korzystania z frezów o średnicy większej niż 2" (50mm) należy zachować szczególną ostrożność. Stosuj bardzo powolny posuw i / lub wykonuj wiele płytkich cięć, aby uniknąć przedzielenia silnika
 - Przed zdjęciem urządzenia z przedmiotu obróbki należy wyłączyć narzędzie i zaczekać, aż frez całkowicie się zatrzyma
 - Należy odłączyć urządzenie od zasilania przed przeprowadzaniem wszelkich czynności regulacyjnych, serwisowych lub konserwacyjnych

OSTRZEŻENIE: Pył wytwarzany podczas pracy z elektronarzędziem może być toksyczny. Niektóre materiały mogą być pokryte chemicznymi substancjami, które stanowią zagrożenie toksyczne. Niektóre materiały naturalne bądź kompozytowe także mogą zawierać toksyczne substancje chemiczne. Niektóre stare farby mogą zawierać ołów bądź inne substancje chemiczne. Unikaj długotrwałego narażenia pyłu i kurzu wytwarzanych podczas pracy frezarką. NIE WOLNO pozwolić na to, aby pył/kurz dostał się do oczu, skóry, ani ust, aby zapobiec wchłanianiu szkodliwych substancji chemicznych. W miarę możliwości zaleca się pracę w dobrze wentylowanym pomieszczeniu. Należy, zatem używać maski przeciwpyłowej oraz systemu odsysania pyłu w miarę możliwości. W przypadku większej ekspozycji na kurz, wszystkie środki bezpieczeństwa muszą być przestrzegane, a wyższe środki ochrony używane.

Przedstawienie produktu

1. Ograniczniki głowicy rewolwerowej
2. Uchwyt
3. Ogranicznik głębokości
4. Odpowietrzniki boczne
5. Pokrętło blokujące ogranicznik głębokości
6. Silnik
7. Pokrywa powrotna przełącznika zasilania
8. Przełącznik zasilania On/Off
9. Osłona szczotki
10. Regulator prędkości
11. Dźwignia blokady trzpienia
12. Osłony zabezpieczające
13. Pokrętła mocujące przedłużenia prowadnicy
14. Złącze pokrętła regulacji wysokości stołu
15. Przyłącze do odsysania pyłu
16. Automatyczna blokada wrzeczona
17. Pierścien sprężła uchwytu pokrętła
18. Przycisk wyboru trybu trzpienia wężelnego
19. Rękojeść – pokrętło
20. Mikropokrętło
21. Osłona dostępu sprężyny trzpienia
22. Prowadnica
23. Tuleja zaciskowa
24. Pokrętło regulacji wysokości stołu
25. Klucz
26. Trzpień obrotowy
27. Przedłużenie prowadnicy

Rysunek II

- A. ¼ x 4
B. M6 x3
C. Wcięcie na pokrętło regulacji stołu

Zastosowanie zgodne z przeznaczeniem

Prezcyjna frezarka górnowrzeczona do zastosowania z uchwytyami zaciskowymi wielkości: ¼" i 12 mm (w zależności od zainstalowanej tulei). Przeznaczona do wycinania profilu, rowkowania krawędzi i wydłużonych otworów w drewnie naturalnym i kompozytowym. Stosowana również z pierścieniami kopiującymi oraz szablami do wycinania kształtów, wzorów oraz do stacjonarnego użytku z kompatybilnymi stolami do frezowania.

Rozpakowanie narzędzia

- Ostrożnie rozpakuj i sprawdź narzędzie. Zapoznaj się ze wszystkimi mechanizmami i funkcjami.
- Upewnij się, że narzędzie zawiera wszystkie części i są one w dobrym stanie. Jeśli brakuje pewnych części lub są one uszkodzone, należy uzupełnić lub wymienić je przed rozpoczęciem korzystania z narzędzia.

Przygotowanie do eksploatacji

▲ OSTRZEŻENIE: Upewnij się, że urządzenie jest odłączone od zasilania przed montażem, zmianą akcesoriów, bądź dokonywaniem regulacji.

Mocowanie tulei zaciskowej i frezu

Uwaga: Należy nosić rękawice ochronne podczas mocowania i wyjmowania frezu, ze względu na jego ostre krawędzie.

1. Umieść frezarkę do góry nogami na płaskiej powierzchni, z silnikiem kompletnie nieruchomym, zaś przewodem zasilania wyciągniętym ze źródła zasilania
2. Zanurz frezarkę na swoją maksymalną głębokość przez wcześniejsze pierścienia sprężła pokrętła na uchwyty (17) do środka i obróć rękojeść – pokrętła (19) w prawo do momentu kiedy tuleja zaciskowa (23) będzie wystawać z podstawy (Zdjęcie B)

Uwaga: Upewnij się, że ogranicznik głębokości (3) jest całkowicie schowany (patrz 'Ogranicznik głębokości i głowicy rewolwerowej'). Tuleja zaciskowa powinna wystawać z podstawy, umożliwiając na łatwy dostęp kluczem.

3. Przy pomocy klucza (25) dołączonego w zestawie, poluzuj tuleję zaciskową poprzez odkręcenie jej w kierunku odwrotnym do ruchu wskazówek zegara
4. Wybierz odpowiednią tuleję zaciskową i zainstaluj w uchwyty (2) poprzez skrócenie tulei w kierunku zgodnym z ruchem wskazówek zegara
5. Włóż frez w środek tulei upewniając się, że przynajmniej 20 mm bądź połowa trzpienia (w zależności, co jest większe) jest włożona w tuleję, po czym użyj klucza, aby lekko obrócić tuleję, by została poprawnie umieszczona w ruchem zegara (2), po czym użyj klucza, aby odokręcić frez w kierunku zgodnym z ruchem zegara
6. Odwróć z frezarką do normalnej pozycji. Spowoduje to zwolnienie blokady tulei i umożliwi dostęp do przelącznika zasilania (8), po tym jak pokrywa powrotna zostanie odblokowana

Przyłącze do odsysania pyłu

UWAGA: Frezarka Triton wyposażona jest w przyłącze do odsysania pyłu (15) w celu usuwania wiórów znad obszaru cięcia. Należy się ono do przyłączenia węża o średnicy zewnętrznej 38mm (1½"). Przyłącze kompatybilne z pojemnikiem i strużyną, 20 l (DCA300)

- Wąż przykrępany jest w odpowiednim miejscu za pomocą gwintu lewoskrętnego (kręcąc w lewo), (Zdjęcie D)

Opcjonalny system odsysania

- Opcjonalny wąż do odsysania umożliwia efektywną ekstrakcję pyłu wokół obszaru cięcia, produkt dostępny u dystrybutora Triton. Możliwość podłączenia do jakiegokolwiek węża 38 mm (1 ½") (zdjęcie E)

Przedłużenie prowadnicy oraz mocowanie prowadnicy

Uwaga: Podczas korzystania z frezarki z zamontowaną płytą podstawy, położyć jedną dłoń na długim końcu podstawy, przytrzymując ją do przedmiotu obróbki i chwyt uchwyty frezarki, najdalej z drugiej strony drugą ręką

1. Zlokalizuj dwa pokrętła mocujące przedłużenie prowadnicy (13) i poluzuj je całkowicie. Pozwoli to na wprowadzenie kołków montażowych w otwory frezarki na przedłużeniu do (27)
2. Odwróć frezarkę i przedłużenie prowadnicy do góry nogami
3. Weiśnij pokrętła mocujące prowadnicy, na frezarce, aby odłączył kołki montażowe
4. Wywrótnaj kołki wraz z otworami frezarki na przedłużeniu prowadnicy (24) i przesuń w otwory gniazdowe (Zdjęcie K).

Uwaga: Orientacja płyty podstawy zależy od tego gdzie jest wymagane wsparcie do pracy na krawędzi materiału, znajdź przełącznik zasilania On/Off (8), na krótkim boku wystającej podstawy

5. Przykręć pokrętła mocujące przedłużenie prowadnicy na zanurzonej frezarce solidnie, aby ją zabezpieczyć do przedłużenia prowadnicy
6. W celu zamocowania prowadnicy (22) poluzuj pokrętła blokady prowadnicy i wsuń prowadnicę wzdłuż torów na przedłużeniu prowadnicy (Zdjęcie L). Zablokuj prowadnicę w żądanym ustawieniu dokręcając oba pokrętła blokady prowadnicy.

Uwaga: W przypadku wycinania złożeń w pewnej odległości od krawędzi, zamocuj oprowadnicę na dłuższym krańcu płyty podstawy

Uwaga: W przypadku wykonywania obróbki krawędzi za pomocą naprowadzanego frezu bezłożyskowego, zamocuj kątownik na krótszym krańcu prowadnicy (Zdjęcie J)

Uwaga: W przypadku frezu o bardzo dużej średnicy możliwa jest konieczność zamocowania na bokach ogranicznika przy użyciu otworów śrubowych drewnianych klocek w celu zabezpieczenia frezu przed kontaktem z kątownikiem.

Obsługa

▲ OSTRZEŻENIE: Należy ZAWSZE nosić odpowiednie wyposażenie ochronne, w tym okulary ochronne, nauszniki przeciwhałasowe, maskę przeciwpyłową podczas pracy powyższym urządzeniem

Włączanie i wyłączanie

Uwaga: Kiedy frezarka jest podłączona do źródła zasilania, przełącznik zasilania On/Off (8) będzie świecił zarówno w pozycji 'on' jak i 'off'.

Uwaga: Pokrywa powrotna przełącznika zasilania (7) zapobiega przypadkowemu uruchomieniu frezarki. Dlatego też musi być zaciągnięta zanim frezarka zostanie uruchomiona. Osłona pozostanie otwarta dopóki frezarka nie zostanie wyłączona.

- Upewnij się, że frezarka znajduje się na maksymalnym rozszerzeniu swojego przecięcia, zaś frez nie dotyka żadnych obcych elementów, kiedy jest podłączona do zasilania
- Podłącz przewód zasilania i przesuń pokrywę powrotną przełącznika zasilania On/Off, aby odsłonił włącznik
- Wciśnij przełącznik zasilania On/Off na pozycję '1', aby uruchomić frezarkę. Kiedy przełącznik zasilania On/Off znajduje się w tej pozycji, pokrywa powrotna przełącznika zapobiegnie odsłonięciu tego przełącznika
- Aby wyłączyć frezarkę, wciśnij przełącznik On/Off, na pozycję '0'. Pokrywa powrotna przesuśnie się na swoją pierwotną pozycję.

Ustawianie wartości	obr./min.	dla danej średnicy frezu
5	21.000	Up to 25 mm (1")
4	18.000	25 a 50 mm (1" - 2")
3	14.500	50 a 65 mm (2" - 2½")
2	11.000	Powyżej de 65 mm (2½")
1	8.000	stosuj wyłącznie w przypadku wystąpienia przypalania

Kontrola prędkości zmiennej

Uwaga: Wartości prędkości frezarki nie są krytyczne - należy stosować najwyższą prędkość, przy której frezarka nie pozostawi na przedmiocie obróbki śladów przypalania. Jeśli jest to wymagane, należy zawsze przestrzegać fabrycznych ograniczeń prędkości maksymalnej.

- Obsługa przy zredukowanej prędkości zwiększa ryzyko uszkodzenia frezarki w wyniku przecięcia. Stosuj bardzo powolny posuw i / lub wykonuj wiele płytkich cięć.
- Regulator prędkości (10) posiada skalę od 1 do 5, odpowiadającą w przybliżeniu podanym poniżej prędkościom i średnicom frezów. Przekręć tarczę regulatora, aby ustawić wybraną prędkość. Regulacja głębokości cięcia

Regulacja głębokości cięcia

Uwaga: Aby zablokować frezarkę, na wymaganą głębokość cięcia, należy zanurzyć głowicę maszyny i obrócić dźwignię blokady trzpienia (11). Spowoduje to utrzymanie głowicy frezarki w takiej pozycji.

W zależności od wymaganej dokładności i kontroli dostępne są trzy metody regulacji głębokości cięcia:

Regulacja rękojści – pokrętła pień wgłębny swobodny

- Regulacja głębokości w trybie trzpienia wgłębne swobodnego może zostać przeprowadzona przy włączeniu przycisku wyboru głębokości trzpienia wgłębne (18). Naciśnij go głęboko, aż do zatrzasknięcia wewnątrz uchwytu (Zdjęcie A)
- Zwolnij dźwignię blokady trzpienia wgłębne (11) i pchnij korpus frezarki, aż do osiągnięcia żądanej głębokości. Zablokuj dźwignię blokady trzpienia wgłębne.

Regulacja rękojści - pokrętła

- Regulację głębokości zanurzenia można dokonać dzięki przekręceniu rękojści – pokrętła (19)
- Zwolnij przycisk wyboru głębokości trzpienia wgłębne (6) i upewnij się, że przycisk znajduje się na równi z rękojścią – pokrętłem
- Aby uwolnić rękojść, pociągnij pierścieni sprężyna pokrętła na uchwycie (17) do środka (Zdjęcie B)
- Odblokuj dźwignię blokady trzpienia (11) i obróć rękojść – pokrętło dopóki żądana głębokość cięcia zostanie nieosiągnięta. Zwolnij pierścieni sprężyna pokrętła na uchwycie i zablokuj dźwignię blokady trzpienia wgłębne.

Mikropokrętło

Uwaga: Do użycia wyłącznie z rękojścią - pokrętłem (19) w trybie zanurzenia wyłącznie. 1. Zwolnij przycisk wyboru głębokości trzpienia wgłębne (18), i upewnij się, że dźwignia blokady trzpienia wgłębne (11) jest odblokowana

Uwaga: Jeśli Mikropokrętło (20) jest włączone w momencie gdy dźwignia blokady trzpienia jest zablokowana, zacznie ono klikać, a głębokość cięcia nie ulegnie zmianie.

- Obróć mikropokrętło w prawo, aby zwiększyć głębokość cięcia i w lewo, aby ją zmniejszyć (zdjęcie L)

Uwaga: W momencie osiągnięcia końca zasięgu regulacji głębokości cięcia, mikropokrętło napotka większy opór i zacznie „klikać”

- Zablokuj dźwignię blokady trzpienia wgłębne, w szczególności w przypadku obróbki ciężkiej.

Ogranicznik głębokości i głowicy rewolwerowej

- Ogranicznik głębokości (3) i ograniczniki głowicy rewolwerowej (1) wykorzystywane są w celu dokładnego zaprogramowania do trzech głębokości cięcia.
- Poluzuj pokrętło blokujące ogranicznika głębokości (5) i całkowicie cofnij ogranicznik głębokości (3), a następnie dokręć pokrętło. (Zdjęcie F)
- Ustaw pokrętło tarczowe głowicy rewolwerowej na żądaną głębokość (żądaną głębokości cięcia za pomocą skali umieszczonej na trzonie głowicy. (Zdjęcie G)

Uwaga: Aby zmienić ogranicznik głowicy rewolwerowej, należy obrócić całą głowicę wyrównując wraz z ogranicznikiem głębokości

Po zamontowaniu frezu na tulei zaciskowej (23), wyreguluj głębokość cięcia, aż czubek frezu wyrówna się z Twoją podstawą odniesienia

- Obróć głowicę rewolwerową, aż zamocowany trzon głowicy wyrówna się z ogranicznikiem głębokości. Zwolnij ogranicznik umożliwiając mu zaskoczenie za trzonie, a następnie dokręć. Głębokość zanurzenia powinna być teraz ustawiona na zero
- Ponownie obróć głowicę aby śruba wybranego pokrętła tarczowego wyrównała się z ogranicznikiem

Opcjonalne użycie pierścieni kopiujących

Różne pierścienie kopiujące umożliwiają frezowanie liter i wzorów. Zestaw akcesoriów dostępny u dystrybutora narzędzi Triton.

Wykonywanie cięć

Uwaga: NIGDY nie wolno operować frezarką z wolnej ręki bez jakiegokolwiek formy przewodnika. Rodzaj takiego przewodnika może być zapewniony przez frez z łożyskiem, prowadnicą równoległą, oraz prosią krawędź (Zdjęcie I)

- Należy ZAWSZE trzymać frezarkę obiema rękoma na uchwytach. Upewnij się, że przedmiot obróbki nie przesuwa się. Skorzystaj ze ścisłości stolarkich, jeśli to możliwe
- Pozwól silnikowi na osiągnięcie maksymalnej prędkości, na którą został ustawiony
- Zanurz frez w przedmiocie obróbki podczas powolnego przesuwania frezarki, utrzymując płytę podstawy gładko naprzeciw obrabianego materiału
- W przypadku ścinania krawędzi, cięcie materiału powinno się odbywać po lewej stronie względem kierunku cięcia. (rys.I) Utrzymuj taki sam nacisk i pozwól frezowi na powolną pracę w materiale. Miej świadomość, iż sęki oraz inne sytuacje spowolnią tempo postępu

Uwaga: Aby uniknąć szarpania frezu, należy skierować cięcie w kierunku odwrotnym do ruchu wskaźówek zegara dla cięć zewnętrznych, zaś dla cięć wewnętrznych pracować zgodnie z ruchem wskaźówek zegara.

Uwaga: Zbyt szybkie przesuwanie frezarki może spowodować kiepską jakość wykończenia i przeciążenie silnika (6). Zaś zbyt wolna praca frezarką może sprawić przegrzanie materiału obróbki.

Uwaga: Normalna obsługa frezarki polega na zanurzeniu głowicy urządzenia po uruchomieniu maszyny.

Uwaga: Nie wolno obsługiwać frezarki do góry nogami, chyba, że jest bezpiecznie zamontowana na stole przeznaczonym do takiej maszyny (np. marki Triton)

Wykonywanie wielokrotnych cięć

- Ogranicznik głowicy rewolwerowej (1) pozwala na osiągnięcie maksymalnej głębokości cięcia w ilości etapów określonych przez operatora. Każdy etap może być skonfigurowany poprzez ustawienie pokrętła na słupku rewolwerowym
- Obróć głowica rewolwerową, tak, aby ogranicznik głębokości dotknął najwyżej ustawionego słupka głowicy rewolwerowej, kiedy frezarka zostanie zanurzona. Pierwsze cięcie może zostać teraz wykonane
- Kontynuuj wykonywanie cięć, obracając głowicę rewolwerową i dostosowując głębokość słupków rewolwerowych do każdego cięcia, kiedy jest to konieczne, dopóki pełna głębokość cięcia zostanie osiągnięta

Wycinanie okręgów

- Przymocuj przedłużenie prowadnicy (27), bez prowadnicy (22) zamontowanej do frezarki
 - Usuń trzpień obrotowy do cięcia okręgowego (26) z przedłużenia do prowadnicy i zamocuj go przez niewielki otwór w trzpieniu na środku elementu obróbki za pomocą małego gwoździa lub śrubki (Zdjęcie M). Zostaw mocowanie śruby w miejscu
 - Obróć frezarkę i prowadnicę frezarki na trzpień obrotowy i ponownie zamocuj podkładkę oraz nakrętkę motylkową (Zdjęcie N)
 - Przy wyłączonym zasilaniu obróć frezarkę wzdłuż planowanego toru cięcia, aby sprawdzić czy wykona okrąg i, jeśli to konieczne, dokonaj niezbędnej korekty.
 - Wycinaj okrąg poprzez wykonanie kilku cięć, za każdym razem zwiększając głębokość cięcia o około 2mm (¼"). (Zdjęcie T). Nie próbuj wycinać głębokiego okręgu za pierwszym podejściem.
- Cięcie na wylot: W przypadku przecinania materiału na wylot zamocuj pod przedmiotem obróbki płytę protektorową. Wytnij okrąg o zbyt dużym rozmiarze, a następnie, po przecięciu na wylot, zredukuj średnicę i docinaj materiał do żądanej rozmiaru wykonując delikatne cięcia na pełnej głębokości.

Obsługa urządzenia zamontowanego na stole

⚠ OSTRZEŻENIE: Przy użyciu Workcentre Modułu do frezarki marki Triton WX7RT001, maksymalna średnica frezu powinna wynosić 50 mm. Zostało to określone przez specyfikację Workcentre.

Uwaga: mocowanie i obsługa frezarki na stole frezerskim powinny być przeprowadzane zgodnie z instrukcjami złączonymi do stołu frezerskiego

Uwaga: Chociaż produkt ten został zaprojektowany do wydajnego i sprawnego działania na większości stołów frezerskich, nadaje się on do użytku szczególnie w połączeniu z Precyzyjnym panelem do frezarki górnozawieszonowej Triton RTA300 oraz TWX7RT001.

Uwaga: Regulacja frezarki jest niezwykle łatwa dzięki unikalnym funkcjom opisanym powyżej w niniejszej instrukcji obsługi. Patrz rozdziały „Mocowanie i wymiana frezów” oraz „Regulacja głębokości cięcia

UWAGA: Przed zamontowaniem frezarki na stole frezerskim NALEŻY usunąć sprężynę trzpienia:

- Ustaw frezarkę na przedziale trzpienia i zablokuj dźwignię blokady trzpienia (11).
- Poluzuj niewielką śrubkę znajdującą się obok osłony dostępu sprężyny trzpienia (21).

PL

3. Mocno przytrzymując osłonę dostępu sprężyny trzpienia, tak aby sprężyna nie wyskoczyła po jej zwolnieniu, przekreść osłonę w lewo umożliwiając jej zdjęcie. (Zdjęcie O).
4. Wyjmij sprężynę i odtóż w bezpieczne miejsce.
5. Ponownie zakłóć osłonę dostępu sprężyny trzpienia i dokręć śrubkę.

UWAGA: Pamiętaj, aby zamontować sprężynę trzpienia przed ponownym skorzystaniem z frezarki w trybie ręcznym

Dostęp do gwintów śrubowych w płycie podstawy

1. Aby zamontować frezarkę na stole innej firmy, bądź stworzonym przez siebie stole warsztatowym do frezowania, należy wyjąć 4 x wkręty z płyty podstawy, wskazanej na zdjęciu Q, po czym wyjąć płytę
2. Na rysunku widoczne są dwa zestawy gwintów do wkrętów. Są to gwinty 4-1/4 UNC (A), które zabezpieczają płytę podstawy, jak również odpowiednie do montażu montażu do stołu warsztatowego plus gwinty na śruby 3 x M6 (B)

Uwaga: Uwaga gwinty M6 nie są dostępne w wcześniejszej wersji frezarki TRA001.

Akcesoria

- Szeroki wybór akcesoriów dla tego urządzenia, w tym dużego zakresu frezów 1/4" oraz 3,1mm trzpieniem są dostępne u dystrybutora firmy GMC. Części zamienne są dostępne do nabycia u dystrybutora narzędzi GMC lub przez Internet na stronie www.toolspareonline.com.

Konserwacja

⚠ OSTRZEŻENIE: Należy zawsze odłączyć urządzenie od zasilania przed przeprowadzeniem konserwacji/czyszczenia.

Kontrola rutynowa

- Regularnie sprawdzaj, czy wszystkie śruby mocujące są odpowiednio dokręcone. Wibracje mogą powodować ich poluzowanie.
- Sprawdź przewód zasilania urządzenia pod kątem uszkodzeń i zużycia za każdym razem przed rozpoczęciem użytkowania urządzenia. Naprawy powinny być przeprowadzane przez autoryzowane centrum serwisowe GMC. Zalecenie to dotyczy również przewodów zasilania wykorzystywanych przy urządzeniu

Czyszczenie

- Należy zawsze dbać o czystość urządzenia. Brud i kurz powodują szybsze zużycie elementów wewnętrznych i skracają okres eksploatacji urządzenia. Należy czyścić korpus urządzenia miękką szczotką lub suchą ścierką. Jeśli to możliwe, przedmuchać otwory wentylacyjne czystym powietrzem sprężonym (w stosownych przypadkach).
- Do czyszczenia elementów plastikowych nie należy używać środków żrących. Jeśli czyszczenie na sucho nie przynosi wystarczających efektów, zalecane jest użycie wilgotnej szmatki i łagodnego detergentu.
- Nigdy nie należy stosować agresywnych substancji żrących

Smarowanie

- Regularnie smaruj wszystkie elementy ruchome urządzenia odpowiednim środkiem smarnym.

Szczotki

- Szczotki węglowe wewnątrz silnika mogą ulec zużyciu z biegiem czasu
- Nadmierne zużycie szczotek może powodować utratę mocy, sporadyczne awarie lub widoczne iskrzenie
- W celu wymiany szczotek, należy wykręcić osłonę dostępu do szczotek (9) z obu stron maszyny. Wyjmij szczotki zużyte (Zdjęcie P) i włóż nowe. Włóż z powrotem osłonę dostępu do szczotek.
- Po zamontowaniu szczotek uruchom frezarkę na 2 – 3 minuty, aby pomóc szczotkom zagnieździć się w urządzeniu. Pełny proces zagnieźdzenia się szczotek może wymagać kilku użyci. Może nastąpić iskrzenie silnika
- W innym przypadku przekaż urządzenie do autoryzowanego punktu serwisowego.

Przechowywanie

- Należy przechowywać narzędzie w bezpiecznym, suchym miejscu niedostępnym dla dzieci

PL

Utylizacja

Należy zawsze przestrzegać przepisów krajowych dotyczących utylizacji elektronarzędzi, które nie są już funkcjonalne i nie nadają się do naprawy.

- Nie wyrzucaj elektronarzędzi, akumulatorów lub innych odpadów elektrycznych i elektronicznych (WEEE) wraz z odpadami komunalnymi.

Rozwiązywanie problemów

Problem	Możliwa przyczyna	Rozwiązanie
Brak reakcji po wciśnięciu przełącznika zasilania (12)	Brak zasilania	Sprawdź źródło zasilania
	Uszkodzony przełącznik zasilania On/Off	Wymień przełącznik zasilania w autoryzowanym serwisie Triton
Niepoprawne cięcie	Ogranicznik głębokości (3) nie prawidłowo dostosowany	Upewnij się, że ogranicznik głębokości odpowiada maksymalnej wysokości cięcia dozwolonej przez (1) Ograniczniki głowicy rewolwerowej
	Nieprawidłowo zamontowany, bądź poluzowany frez/ tuleja zaciskowa (23)	Przykręć frez/tuleję zaciskową
Frezarka nie działa	Brak zasilania	Sprawdź źródło zasilania
	Szczotki są zużyte lub przywierają	Odcłącz zasilanie, otwórz osłonę szczotek (9) i upewnij się, że nie są uszkodzone bądź nadmiernie zużyte
	Usterka włącznika	Skontaktuj się z dystrybutorem narzędzi Triton lub autoryzowanym punktem serwisowym
	Zwarcie lub uszkodzenie obwodu komponentów silnika	
	Zużyty bądź uszkodzony frez	Wymień frez
Frezarka pracuje wolno	Regulator prędkości (10) ustawiony zbyt nisko	Zwiększ prędkość pracy
	Przeciążony silnik	Zmniejsz nacisk nakładany na urządzenie
	Zwarcie lub uszkodzenie obwodu komponentów silnika	Skontaktuj się z dystrybutorem narzędzi GMC lub autoryzowanym punktem serwisowym
	Silnik jest przeciążony	Zmniejsz nacisk zastosowany na urządzenie
Frezarka ulega nadmiernym wibracjom	Nieprawidłowo zamontowany bądź luźny frez	Wiół ponownie bądź dokręć frez
	Skrzywiony bądź uszkodzony frez	Wymień frez
Intensywne iskrzenie wewnątrz obudowy silnika	Szczotki przusają się nierówno	Sprawdź szczotki węglowe i wymień w razie konieczności w autoryzowanym serwisie Triton
	Zwarcie lub otwarcie obwodu	Skontaktuj się z dystrybutorem narzędzi Triton lub autoryzowanym punktem serwisowym
	Zanieczyszczenie komutatora	
Mikropokręto (10) "kika" i nie ulega regulacji	Dźwignia blokady trzpienia została zaciśnięta (11)	Zwolnij dźwignię blokady trzpienia
	Osiągnięto pełną wysokość regulacji	Zresetuj mikropokręto (10) i ustaw ogranicznik głębokości (3)
Frezarka wydaje nietypowe dźwięki	Przeszkoda mechaniczna	Skontaktuj się z dystrybutorem narzędzi Triton lub autoryzowanym punktem serwisowym
	Zwarcie części twornika	

Gwarancja

W celu rejestracji gwarancji odwiedź naszą stronę internetową www.tritontools.com i podaj odpowiednią dane.

Dane zostaną dodane do naszej listy wysyłkowej (chyba, że wskazano inaczej) w celu przesyłania informacji dotyczących przyszłych produktów.

Dostarczone dane nie zostaną udostępnione osobom trzecim.

Protokół zakupu

Data zakupu: ___/___/___

Model: TRA001 Należy zachować paragon jako dowód zakupu

Precyzyjne Elektronarzędzia Triton gwarantują nabywcy tego produktu pewność, iż w razie usterki bądź uszkodzenia z powodu wad materiałowych lub jakości wykonania, w ciągu 3 lat od daty zakupu, firma Triton naprawi bądź według własnego uznania bezpłatnie wymieni uszkodzoną część.

Powyższa gwarancja nie pokrywa szkód spowodowanych naturalnym zużyciem, nieprawidłowym użytkowaniem, nieprzestrzeganiem zaleceń obsługi, wypadkami lub wykorzystaniem urządzenia do celów komercyjnych.

* Zarejestruj swój produkt w ciągu 30 dni od daty zakupu.

Obowiązują zasady i warunki użytkowania.

Powyższe postanowienia nie mają wpływu na prawa ustawowe klienta.

Deklaracja Zgodności WE

Niżej podpisany: Mr Darrell Morris

upoważniony przez: Triton Tools

Oświadczają, że

Kod identyfikacyjny: 330165

Opis: Precyzyjna frezarka górnorzeźnicowa 2400 W

Produkt jest zgodny z następującymi dyrektywami oraz normami:

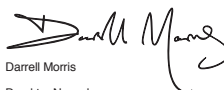
- Dyrektywa maszynowa 2006/42/EC
- Dyrektywa niskonapięciowa 2006/95/EC
- Dyrektywa kompatybilności elektromagnetycznej 2004/108/EC
- Dyrektywa RoHS 2011/65/EC
- EN60745-1:2006+A11:2010
- EN60745-2:17:2010
- EN55014-1:2006+A1+A2
- EN55014-2:1997+A1+A2
- EN61000-3-2:2006+A1+A2
- EN61000-3-3:2013

Jednostka notyfikowana: TÜV Rheinland Co., Ltd.

Dokumentacja techniczna produktu znajduje się w posiadaniu: Triton Tools

Data: 24/11/2015

Podpis:



Darrell Morris

Dyrektor Naczelny

Nazwa i adres producenta:

Powerbox International Limited, zarejestrowany pod numerem 06897059. Adres rejestracyjny firmy : Central House, Church Street, Yeovil, Somerset BA20 1HH, United Kingdom.

PL

Перевод исходных инструкций

Введение

Благодарим за выбор инструмента Triton. Прочитайте это руководство: в нем содержится информация, необходимая для безопасной и эффективной эксплуатации изделия. Этот инструмент отличается некоторыми уникальными особенностями, и даже если вы уже знакомы с аналогичными изделиями, руководство поможет вам извлечь максимальную выгоду из функциональных возможностей инструмента. Держите это руководство под рукой и добейтесь того, чтобы каждый пользователь инструмента прочитал и понял его.

Символы и обозначения

На паспортную табличку инструмента могут быть нанесены символы. Они предоставляют важную информацию об изделии или инструкции по его эксплуатации.



Пользоваться средствами защиты органов слуха
Пользоваться средствами защиты органов зрения
Пользоваться средствами защиты органов дыхания
Пользоваться средствами защиты головы



Пользоваться средствами защиты рук



Прочитайте руководство



Осторожно!



Внимание! Острые ножи или зубья!



БЕРЕЧЬ от дождя и влаги!



Перед регулировкой, сменой оснастки, чисткой, обслуживанием и хранением прибора всегда отключайте его от сети питания.



Требуется или рекомендуется вытяжка пыли.



Конструкция класса II (двойная изоляция для дополнительной защиты)



Охрана окружающей среды Утилизация электротехнических изделий с бытовым мусором запрещена. Такие изделия сдают в пункты утилизации, имеющие специальное оборудование. За рекомендациями по утилизации обращайтесь в местные органы власти или к дилеру.



Соответствует применимым законодательным актам и нормам безопасности.

Технические характеристики

Номер модели	TRA001
Напряжение:	220 - 240 В переменного тока, 50 Гц, 9,1 А
Мощность	2400 Вт
Частота вращения без нагрузки:	8000-21 000 ^{мин} -1
Цанга:	½" и 12 мм
Максимальный диаметр режущего инструмента:	55 мм (50 мм при использовании с WX7RT001)
Максимальный размер цанги:	½" (в британских единицах), 12 мм (в метрических единицах)
Регулировка по высоте:	1) Свободная 2) С помощью рукоятки регулировки вертикального положения при работе со столом 3) С помощью ручки точной регулировки вертикального положения (точная регулировка)
Диапазон регулировки глубины резания:	0-68 мм
Степень защиты оболочки:	IP20
Класс защиты:	
Длина электрического шнура:	3 м
Габаритные размеры (Д x Ш x В):	180 x 300 x 310 мм
Масса:	6,3 кг
Ввиду того, что продукция постоянно совершенствуется, технические характеристики изделий Triton могут изменяться без уведомления.	
Информация по шуму и вибрации	
Уровень звука излучения (LPA):	85,5 дБ(A)
Корректированный уровень звуковой мощности (LWA)	96,5 дБ(A)
Погрешность К:	3 дБ
Взвешенное вибрационное ускорение ah:	4,795 м/с ²
Погрешность К:	1,5 м/с ²
Уровень звука, воздействующего на оператора, может превышать 85 дБ(A). Использование средств защиты органов слуха обязательно.	

ВНИМАНИЕ! Если уровень звука превышает 85 дБ(A), то обязательно пользуйтесь средствами защиты органов слуха. При необходимости ограничьте продолжительность работы. Если шум вызывает дискомфорт даже при использовании средств защиты, немедленно выключите инструмент и убедитесь, что защита надета правильно, а ее звукоизолирующие характеристики соответствуют уровню звука, вырабатываемого инструментом.

ВНИМАНИЕ! Воздействие вибрации инструмента на человека может вызывать потерю чувствительности, онемение, покалывание и снижение способности удерживать предметы. Продолжительное воздействие чревато развитием хронических заболеваний. При необходимости ограничьте продолжительность работы и пользуйтесь антивибрационными перчатками. Не работайте в ручном режиме, если температура ниже комфортного уровня: в таких условиях вибрация оказывает более выраженное воздействие на организм. Продолжительность и периодичность работы с инструментом можно рассчитать по значениям, которые приведены в разделе «Технические характеристики».

Указанные в характеристиках уровни звука и вибраций получены в соответствии с EN60745 или аналогичными международными стандартами. Значения справедливы для инструмента в нормальном рабочем состоянии, эксплуатируемого в нормальных условиях. Нарушение регламента обслуживания, порядка сборки или эксплуатации инструмента может явиться причиной повышения уровня звука и вибраций. На сайте www.osha.europa.eu представлена информация по уровням звука и вибраций на рабочем месте, которая может оказаться полезной для пользователей, работающих с инструментом в бытовых условиях в течение продолжительного времени.

Общие правила техники безопасности

ВНИМАНИЕ! Ознакомьтесь со всеми предупреждениями и инструкциями. Пренебрежение предупреждениями и инструкциями чревато поражением электрическим током, пожаром и/или серьезными травмами.

ВНИМАНИЕ! Эксплуатация прибора детьми, лицами с ограниченными физическими или умственными возможностями и лицами, не имеющими достаточного опыта или знаний, разрешается только при условии, что они будут находиться под присмотром ответственного за их безопасность или получат от него необходимые инструкции по работе с прибором. Не оставляйте детей без присмотра и не позволяйте им играть с прибором.

Сохраните все предупреждения и инструкции на будущее.

В разделе, посвященном технике безопасности, термин «электроинструмент» относится как к проводным (работающим от сети), так и к беспроводным (работающим от аккумулятора) инструментам.

1) Безопасность на рабочем месте

- a) Следите за чистой и освещенностью рабочего места. Беспорядок или недостаточное освещение повышают вероятность несчастного случая.
- b) Не работайте с электроинструментом во взрывоопасной атмосфере (например, в присутствии воспламеняющихся жидкостей, газов или пыли). Электроинструмент выработывает искры, которые могут воспалить пыль или пар.
- в) Во время работы с электроинструментом не позволяйте детям и посторонним лицам приближаться к вам. Они будут отвлекать ваше внимание, и вы можете потерять управление.

2) Электробезопасность

- a) Вилки электроинструмента должны соответствовать розеткам. Категорически запрещается вносить какие-либо изменения в конструкцию вилки. Не разрешается подключать заземленный электроинструмент к сети через переходники. Применение стандартных вилок и соответствующих им розеток снижает риск поражения электрическим током.
- b) Не касайтесь заземленных предметов: трубопроводов, радиаторов, электрических плит и холодильников. Если ваше тело заземлено, то риск поражения электрическим током увеличивается.
- в) Берегите электроинструмент от дождя и влаги. Попадание воды внутрь электроинструмента увеличивает риск поражения электрическим током.
- г) Не допускайте повреждения электрического шнура. Запрещается переносить, тянуть или отключать электроинструмент от сети за шнур. Берегите шнур от нагрева, контакта с маслом, острыми кромками или движущимися деталями. Поврежденный или запутанный шнур увеличивает риск поражения электрическим током.
- д) При работе с электроинструментом вне помещения используйте удлинитель, пригодный для эксплуатации в таких условиях. Применение удлинителя, пригодного для эксплуатации вне помещения, снижает риск поражения электрическим током.
- e) Если работа во влажных условиях неизбежна, то электроинструмент следует подключать к источнику питания, снабженному устройством защитного отключения (УЗО). Применение УЗО снижает риск поражения электрическим током.

3) Личная безопасность

- a) Будьте внимательны, следите за тем, что делаете и руководствуйтесь здравым смыслом при работе с электроинструментом. Запрещается пользоваться электроинструментом, если вы устали или находитесь под действием алкоголя, наркотиков или лекарственных препаратов. Даже кратковременное ослабление внимания во время работы чревато тяжелой травмой.
- b) Пользуйтесь средствами индивидуальной защиты. Всегда используйте средства защиты органов зрения. Грамотное применение средств защиты (например, респиратора, нескользкой защитной обуви, каски или средств защиты органов слуха) снижает риск травм.
- в) Не допускайте непреднамеренного включения. Перед тем как подключать инструмент к розетке и/или аккумулятору, поднимите или перенесите его убедитесь, что выключатель питания находится в положении «выключено». Если держать палец на выключателе питания при переносе инструмента или заряжать инструмент с включенным выключателем питания, то риск несчастного случая увеличится.
- г) Убирайте регулировочные ключи прежде чем выключать электроинструмент. Гаечный ключ, присоединенный к вращающейся части электроинструмента, может нанести травмы.
- д) Не тянитесь за пределы комфортной зоны досягаемости. Твердо стойте на ногах и сохраняйте равновесие. Это позволит увереннее контролировать инструмент в неожиданных ситуациях.

- e) Одевайтесь надлежащим образом. Свободная одежда и украшения не допускаются. Держите волосы, одежду и перчатки подальше от движущихся частей инструмента. Свободную одежду, украшения или длинные волосы может намотать на движущиеся части.
- ж) Обязательно пользуйтесь устройствами вытяжки и сбора пыли, если конструкцией предусмотрены соединители для них. Соблюдайте правила их эксплуатации. Такие устройства снижают риски, связанные с пылью

4) Эксплуатация электроинструмента и уход за ним

- a) Не допускайте перегрузки электроинструмента. Правильно подбирайте инструмент под свои задачи. Грамотно подобранный инструмент будет работать качественнее и безопаснее без превышения номинальной нагрузки.
- b) Не работайте с электроинструментом, если выключатель питания не включается или не выключается. Любой электроинструмент с неработающим выключателем опасен и подлежит ремонту.
- в) Отсоединяйте электроинструмент от розетки или аккумулятора, прежде чем выполнять настройку, менять оснастку или укладывать его на хранение. Данная мера предосторожности исключает случайный пуск инструмента.
- г) Храните электроинструмент в местах, недоступных для детей, и не позволяйте работать с ним лицам, не знакомым с электроинструментом или не изучившим данные инструкции. Электроинструмент опасен в неумелых руках.
- д) Обслуживайте электроинструмент. Следите за тем, чтобы не было биения или заедания движущихся частей, сломанных деталей или признаков других неисправностей, способных повлиять на работу электроинструмента. Если инструмент поврежден, то эксплуатацию разрешается возобновлять только после ремонта. Причиной многих несчастных случаев становится неудовлетворительное обслуживание электроинструмента.
- e) Следите за чистой режущей инструмента и состоянием его режущих кромок. Если режущий инструмент надлежащим образом обслужен, то снижается вероятность защемления и облегчается управление.
- ж) Соблюдайте эти инструкции при эксплуатации электроинструмента, оснастки и режущего инструмента. Учитывайте условия и особенности предстоящей работы. Использование электроинструмента не по назначению может быть опасным.

ВНИМАНИЕ! При эксплуатации инструмента на территории Австралии или Новой Зеландии рекомендуется ВСЕГДА включать в цепь питания устройство защитного отключения (УЗО) с номинальным остаточным током 30 мА или меньше.

5) Ремонт

- a) Ремонт электроинструмента должен производиться квалифицированным специалистом с использованием идентичных запчастей. Только в этом случае ремонт электроинструмента не скажется на его безопасности отрицательным образом.

Дополнительные правила техники безопасности при работе с фрезерами



- Держите электроинструмент только за изолированные захватные поверхности, так как режущий инструмент может коснуться шнура питания. Надрезание находящегося под напряжением проводника может привести к тому, что неизолированные металлические детали инструмента тоже окажутся под напряжением. Это чревато поражением электрическим током.
- Крепите заготовку к устойчивой опоре с помощью струбцины или других подходящих средств. Заготовка, удерживаемая рукой или прижимаемая к телу, недостаточно хорошо зафиксирована и может выйти из-под контроля.
- Замена поврежденного электрического шнура (в случае необходимости) должна выполняться производителем, его сервисным представителем или лицами аналогичной квалификации.
- Настоятельно рекомендуется включать инструмент через устройство защитного отключения с номинальным остаточным током 30 мА или меньше.

- 1) Пользуйтесь средствами защиты: защитными очками или щитками, средствами защиты органов слуха, респиратором и защитной одеждой (включая защитные перчатки).
- 2) Следите за тем, чтобы рядом с рабочим местом не было тряпок, шнуров, веревок и подобных предметов.
- 3) Убедитесь, что напряжение питания соответствует номинальному напряжению инструмента.

RU

- 4) Убедитесь, что используемые с инструментом удлинители находятся в удовлетворительном состоянии (с точки зрения электробезопасности), а их номинальный ток соответствует инструменту.
- 5) Если удлинитель намотан на барабан, то его необходимо полностью размотать во избежание перегрева.
- 6) Определяйте наличие скрытых кабелей или трубопроводов инженерных сетей в рабочей зоне с помощью подходящих детекторов. При необходимости обратитесь в коммунальные предприятия за помощью. Контакт с электрическими кабелями может привести к поражению электрическим током и пожару. Повреждение газопровода может привести к взрыву. Контакт с водопроводными линиями может привести к серьезному материальному ущербу.
- 7) Перед началом работы следует обязательно удалить все посторонние предметы (например, гвозди и шурупы) из заготовки.
- 8) Соблюдайте осторожность при обращении с фрезами: они могут быть очень острыми.
- 9) Перед работой тщательно проверяйте фрезы на предмет повреждений или трещин. Поврежденные или растрескавшиеся фрезы подлежат немедленной замене.
- 10) Следите за остротой фрез и надлежащим образом обслуживайте их. Использование инструмента с тупыми кромками может привести к заеданию, повышению тепловыделения и травмам.
- 11) Во время работы ВСЕГДА пользуйтесь обеими рукоятками и надежно удерживайте фрезер.
- 12) Не допускайте появления влаги, грязи и смазки на рукоятках и захватных поверхностях. В противном случае хват может ухудшиться.
- 13) Перед тем как выполнить первый рабочий проход, включите инструмент и дайте ему поработать некоторое время. Вибрации могут свидетельствовать о неправильной установке режущего инструмента.
- 14) Обращайте внимание на направление вращения режущего инструмента и направление подачи.
- 15) Держите руки подальше от зоны обработки и фрезы. Держите вспомогательную рукоятку или изолированную захватную поверхность второй рукой.
- 16) ЗАПРЕЩАЕТСЯ включать фрезер, если режущий инструмент касается заготовки.
- 17) Запрещается работать в ручном режиме, если пружина механизма вертикального перемещения демонтирована.
- 18) Переводить электроинструмент в положение блокировки цанги разрешается только после полной остановки режущего инструмента.
- 19) Максимальная частота вращения фрезы/режущего инструмента должна быть не меньше максимальной частоты вращения электроинструмента.
- 20) Фрезы могут разогреваться во время работы. Во избежание ожогов не притрагивайтесь к ним сразу после обработки.
- 21) Не позволяйте фрезам контактировать с горючими материалами.
- 22) Размер хвостовика фрезы/режущего инструмента должен в точности соответствовать размеру патрона, установленного на фрезере. Неправильно установленная фреза/режущий инструмент будет вращаться неравномерно, что приведет к повышению вибрации и, как следствие, к потере управляемости.
- 23) ЗАПРЕЩАЕТСЯ нажимать кнопку блокировки шпинделя или пытаться перевести инструмент в режим замены фрез, когда шпиндель вращается.
- 24) Во время обработки поддерживайте неизменное давление; не пытайтесь влиять на естественную скорость обработки. ЗАПРЕЩАЕТСЯ прикладывать чрезмерные усилия к инструменту и перегружать электродвигатель.
- 25) Следите за тем, чтобы паспортные и предупреждающие таблички на инструменте были читаемыми. Меняйте поврежденные и запачканные таблички.
- 26) Во время работы с фрезером будьте готовы к тому, что может произойти заедание фрезы в заготовке и, как следствие, потеря управления. Всегда крепко держите фрезер и незамедлительно отпустите выключатель в указанной ситуации.
 - После включения фрезера проверяйте вращение фрезы. Оно должно быть равномерным, дополнительные вибрации (вызванные неправильной установкой фрезы) не допускаются. Работа с фрезером, инструмент которого установлен неправильно, может привести к потере управления и тяжелой травме.
 - Соблюдайте ОСОБУЮ осторожность при работе с режущим инструментом диаметром более 2" (50 мм). Во избежание

перегрузки электродвигателя следует уменьшить подачу и/или глубину резания.

- Снимайте электроинструмент с заготовки ТОЛЬКО после отключения и полной остановки режущего инструмента.
- Регулировку, ремонт или обслуживание разрешается начинать только после того, как инструмент будет отключен от питания.

ВНИМАНИЕ! Пыль, производимая во время работы электроинструмента, может быть ядовитой. Некоторые материалы могут быть обработаны химикатами или иметь покрытие. Они могут быть ядовитыми. Некоторые естественные и композитные материалы могут содержать ядовитые вещества. Некоторые старые краски могут содержать свинец и прочие химикаты. Не допускайте продолжительного воздействия пыли, образующихся при работе фрезера. НЕ ДОПУСКАЙТЕ попадания пыли на кожу или в глаза, не допускайте попадания пыли в рот, чтобы избежать проглатывания вредных химикатов. Во возможности следует работать в хорошо вентилируемой зоне. Пользуйтесь подходящим респиратором и, по возможности, системой вытяжки пыли. Если частота воздействия велика, то соблюдение всех мер предосторожности является особенно важным. Используйте средства индивидуальной защиты более высокого уровня.

Знакомство с изделием

1. Поворотный ограничитель
2. Патрон
3. Ограничитель глубины
4. Боковые воздушники
5. Ручка фиксации упора
6. Электродвигатель
7. Выдвижная шторка выключателя питания
8. Выключатель питания
9. Крышки щеток
10. Регулятор частоты вращения
11. Рычаг фиксации вертикального положения
12. Защитные ограждения
13. Ручки крепления подошвы
14. Соединитель для рукоятки регулировки вертикального положения
15. Соединение для отвода пыли
16. Автоматический фиксатор шпинделя
17. Кольцо муфты ручки регулировки вертикального положения
18. Кнопка выбора режима регулировки вертикального положения
19. Рукоятка регулировки глубины резания
20. Ручка точной регулировки вертикального положения
21. Крышка пружины механизма вертикального перемещения
22. Направляющая
23. Цанга
24. Рукоятка регулировки вертикального положения при работе со столом
25. Гаечный ключ
26. Поворотное крепление для обработки по круговой траектории
27. Увеличенная подошва

Рисунок II

A. ¼ UNC x4
B. M6 x3

C. Отверстие под рукоятку регулировки вертикального положения

Назначение

Ручной высокоточный погружной фрезер, рассчитанный на инструменты с хвостовиком до ½" и 12 мм (в зависимости от установленной цанги). Применяют для вырезания профилей, формирования канавок и пазов, обработки кромок в заготовках из натуральной и композитной древесины. Кроме того, фрезер может применяться в стационарных системах с совместимым столом.

Распаковывание инструмента

- Аккуратно распакуйте и осмотрите инструмент.ознакомьтесь со всеми его характеристиками и функциями.
- Убедитесь, что все детали инструмента находятся в хорошем состоянии. Если какие-либо детали отсутствуют или повреждены, то эксплуатация инструмента разрешается только после замены таких деталей.

Перед эксплуатацией

⚠ ВНИМАНИЕ! Прежде чем устанавливать или менять какую-либо оснастку или выполнять регулировку, отключите инструмент от сети питания.

Установка цанги и режущего инструмента

Примечание. При установке и снятии фрез используйте защитными перчатками. Кромки фрез острые!

1. Проверните фрезер и установите его на устойчивую плоскую поверхность. Электродвигатель (6) должен быть неподвижным. Шнур питания должен быть отсоединен от сети.
2. Установите максимальную глубину, нажав кольцо муфты ручки регулировки вертикального положения (17) (рисунок В) внутрь и повернув рукоятку регулировки глубины резания (19) по часовой стрелке так, чтобы цанга (23) начала выступать за основание.

Примечание. Упор (3) должен быть полностью втянут (смотрите раздел «Упор и поворотный ограничитель»). Цанга должна выступать за основание так, чтобы ее удобно было затягивать ключом.

3. Снимите цангу, поворачивая ее комплектым гаечным ключом (25) против часовой стрелки.
4. Выберите нужную цангу и установите ее в патрон (2), закручивая по часовой стрелке.
5. Вставьте фрез в цангу. Длина вставленной части должна быть не менее 20 мм или половины хвостовика (берут большее из значений). Слегка затяните цангу ключом, чтобы сработал фиксатор цанги (рисунок С), а затем затяните режущий инструмент, поворачивая ключ по часовой стрелке.
6. Верните фрезер в нормальное рабочее положение. Устройства блокировки патрона и шторки выключателя отключаются, что обеспечит доступ к выключателю питания (8).

Соединение для отвода пыли

Примечание. Фрезер Tiplon оснащен соединением (15) для отвода стружки из зоны, расположенной над зоной резания. К нему присоединяется комплектный шланг пылесоса Tiplon (DCA300) с наружным диаметром 38 мм (1½").

- который фиксируется с помощью левосторонней резьбы (закручивать против часовой стрелки) (рисунок D).

Дополнительный стружкосборник

- Местные дилеры Tiplon могут предложить вам дополнительный стружкосборник, который обеспечивает эффективное удаление отходов вдоль зоны резания. Он может присоединяться к любому шлангу с наружным диаметром 38 мм (1½") (рисунок E).

Установка увеличенной подошвы и параллельной направляющей

1. Найдите две ручки крепления подошвы и полностью ослабьте их. Это позволит продеть крепежные шпильки в отверстия крепления фрезера в увеличенной подошве (27).
2. Проверните фрезер вместе с подошвой.
3. Нащите на ручки крепления подошвы фрезера, чтобы обнажить крепежные шпильки.
4. Совместите шпильки с отверстиями для крепления фрезера в увеличенной подошве, и введите шпильки в пазы (рисунок К).

Примечание. Ориентация внешней части подошвы зависит от того, где требуется опора. Для обработки кромок короткую часть подошвы рекомендуется располагать со стороны выключателя питания (8).

5. Закрепите фрезер на увеличенной подошве, надежно затянув ручки крепления подошвы на фрезере.
6. Чтобы установить параллельную направляющую (22), ослабьте ручки параллельной направляющей и вставьте ее в направляющие увеличенной подошвы (рисунок I). Переместите направляющую в нужное положение и зафиксируйте ее, затянув обе ручки крепления.

Примечание. Если фрезеруемые пазы располагаются на расстоянии от края заготовки, то параллельную направляющую устанавливают на длинной стороне подошвы.

Примечание. Если необходимо обработать кромку инструментом без подшипника, то параллельную направляющую устанавливают на короткой стороне подошвы (рисунок J).

Примечание. Фрезы очень большого диаметра могут касаться параллельной направляющей. Во избежание этого к рабочим поверхностям направляющей можно прикрепить **деревянные подкладки (с помощью крепежных отверстий)**.

Эксплуатация

⚠ ВНИМАНИЕ! При работе с этим инструментом ВСЕГДА пользуйтесь подходящими средствами защиты органов зрения, дыхания и слуха. Пользуйтесь подходящими перчатками.

Включение и выключение

Примечание. Если фрезер подключен к источнику питания, то подсветка выключателя (6) будет гореть (как в положении «включено», так и в положении «выключено»).

Примечание. Для защиты от случайного пуска предусмотрена выдвижная шторка выключателя (7). Фрезер нельзя будет включить до тех пор, пока шторка не будет задвинута. Шторка остается в открытом положении до отключения инструмента.

1. Убедитесь, что фрезер находится в крайней точке хода, и что режущий инструмент не касается никаких посторонних предметов при включении фрезера.
2. Подключите шнур питания к сети и отведите шторку, чтобы обнажить выключатель питания.

3. Переведите выключатель питания в положение «I», чтобы включить фрезер. Когда выключатель питания находится в этом положении, шторка не сможет закрыть его.
4. Чтобы выключить инструмент, переведите выключатель питания в положение «O». Шторка выключателя сместится в исходное положение.

Регулятор частоты вращения

Примечание. Настройка скорости фрезера не имеет решающего значения. В целом следует работать на максимальной скорости, при которой на заготовке не возникают прижоги. Не нарушайте ограничений по максимальной частоте вращения, если таковые установлены производителем режущего инструмента.

- Работа на пониженных оборотах чревата повреждением фрезера из-за перегрева. В таком режиме необходимо уменьшить подачу и/или уменьшить глубину резания, увеличив число проходов при обработке.
- На регуляторе частоты вращения (10) нанесены метки (от «1» до «5»), которые приблизительно соответствуют следующим частотам вращения и диаметрам режущего инструмента. Частота вращения выбирается поворотом регулятора.

Положение	Частота вращения, об/мин	Диаметр режущего инструмента
5	21 000	До 25 мм (1")
4	18 000	25 - 50 мм (1" - 2")
3	14 500	50 - 65 мм (2" - 2-1/2")
2	11 000	Свыше 65 мм (2-1/2")
1	8 000	Использовать только в случае, если на заготовке возникают прижоги

Регулировка глубины резания

Примечание. Чтобы зафиксировать определенную глубину резания, опустите головку фрезера и поверните рычаг фиксации вертикального положения (11) в нижнее положение. В результате головка фрезера будет удерживаться в заданном положении.

- Существуют три метода регулировки глубины резания, различающиеся по точности позиционирования и контролируемости:

Свободная регулировка глубины резания

1. Свободная регулировка глубины резания выполняется при нажатой кнопке выбора режима регулировки вертикального положения (18). Нажмите кнопку выбора режима регулировки вертикального положения до фиксации в нажатом положении (рисунок А).
2. Отключите фиксацию вертикального положения рычагом (11) и переведите корпус фрезера в нужное положение. Включите фиксацию вертикального положения.

Регулировка глубины резания с помощью рукоятки

1. Регулировку глубины резания можно осуществлять с помощью рукоятки (19).
2. Отключите кнопку выбора режима регулировки вертикального положения (18) и проследите за тем, чтобы она была на одном уровне с рукояткой регулировки глубины резания.
3. Чтобы освободить рукоятку, втяните кольцо муфты рукоятки регулировки глубины резания (17) внутрь (рисунок В).
4. Отключите фиксацию вертикального положения рычагом (11) и поверните рукоятку регулировки глубины резания до достижения требуемой глубины резания. Отпустите кольцо муфты рукоятки регулировки глубины резания и зафиксируйте рычаг фиксации вертикального положения.

Ручка точной регулировки вертикального положения

Примечание. Пользоваться только в режиме регулировки с помощью ручки (19).

1. Выключите кнопку выбора режима регулировки (18) и отключите фиксацию вертикального положения рычагом (11).

Примечание. Если повернуть ручку точной регулировки (20), не отключив фиксацию, то сработает защелка, а глубина резания не изменится.

2. Чтобы увеличить глубину резания, поворачивайте ручку точной регулировки по часовой стрелке, а чтобы уменьшить глубину – против часовой стрелки. Продолжайте регулировку до достижения требуемого вертикального положения.

Примечание. По достижении конечной точки диапазона регулировки ручка точной регулировки начнет вращаться с трудом, издавая щелкающие звуки.

3. Включите фиксацию вертикального положения рычагом (11) особенно важно, если силы резания велики).

Упор и поворотный ограничитель

1. Упор (3) и поворотный ограничитель (1) позволяют заблаговременно задать до трех высокоточных настроек глубины резания.
2. Ослабьте фиксатор упора ручкой (5), полностью втяните упор (3) и затяните ручку (рисунок F).

3. Задайте нужные глубины резания, пользуясь шкалами на поворотном ограничителе (рисунок G).

Примечание. Чтобы сменить контактную поверхность ограничителя, поверните весь ограничитель так, чтобы контактная поверхность попала под упор.

Установите требуемый режущий инструмент в чашу (23) и отрегулируйте вертикальное положение так, чтобы кончик инструмента касался заготовки.

4. Поверните ограничитель так, чтобы его тело оказалось на одной оси с упором. Ослабьте фиксатор упора, доведите упор до контакта с ограничителем и затяните ручку фиксации упора. Теперь глубина резания настроена на ноль
5. Поверните поворотный ограничитель так, чтобы контактная поверхность, соответствующая желаемой глубине резания, совместилась с упором.

Дополнительные копируемые втулки

Для фрезерования по шаблону предлагаются различные копируемые втулки. Комплекты оснастки можно приобрести у местного дилера Triton.

Обработка

Примечание. ЗАПРЕЩАЕТСЯ работать в ручном режиме без направляющей, в качестве которой может служить инструмент с подшипником, комплектные направляющие или рейка (рисунок I).

1. ВСЕГДА держите фрезер обеими руками за имеющиеся рукоятки. Добейтесь того, чтобы заготовка не могла сместиться. По возможности применяйте струбцины.
2. Дайте электродвигателю разогнаться до полных рабочих оборотов.
3. Опустите режущий инструмент фрезера на заготовку, медленно перемещая фрезер. Подошва должна стоять на заготовке ровной.
4. При обработке кромок фрезерование осуществляется по левой стороне относительно направления обработки (рисунок I). Поддерживайте неизменное давление, и пусть режущий инструмент непрерывно проходит через материал. Помните, что узлы и прочие изменения структуры замедлят ход инструмента.

Примечание. Во избежание дребезга режущего инструмента, направление резания должно быть против часовой стрелки при обработке наружных поверхностей, и по часовой – при обработке внутренних поверхностей.

Примечание. Слишком быстрая подача фрезера может ухудшить качество обработанной поверхности и привести к перегузу электродвигателя (6). Слишком медленная подача фрезера может привести к перегреву заготовки.

Примечание. В нормальном режиме работы перемещение головки вниз осуществляют после включения фрезера.

Примечание. Работа фрезера в перевернутом состоянии разрешается только при условии, что он надежно закреплен на специальном столе с ограждениями (например, на столе производства Triton).

Обработка в несколько проходов

1. Поворотный ограничитель (1) позволяет выдерживать максимальную глубину резания за несколько проходов, количество которых определяет оператор. Каждое положение ограничителя можно настроить с помощью маховика на контактной части.
2. Поверните поворотный ограничитель так, чтобы упор касался самой высокой заданной контактной поверхности при опускании фрезера. Теперь можно выполнять первый проход.
3. Продолжайте выполнять проходы, поворачивая ограничитель и настраивая глубину контактной поверхности для каждого прохода (при необходимости) до тех пор, пока не будет достигнута полная глубина резания.

Обработка по круговой траектории

1. Установите увеличенную подошву (27) без параллельной направляющей (22).
2. Снимите поворотное крепление (26) с увеличенной подошвы и закрепите его в центре заготовки небольшим гвоздем или винтом через отверстие (рисунок M). Не снимайте болт крепления.
3. Опустите фрезер с подошвой на поворотное крепление и установите шайбу и гайку-барашек на место (рисунок N).
4. Не включая питание, проведите фрезер по желаемой траектории и внесите необходимые изменения.
5. Выполните обработку по круговой траектории в несколько проходов, увеличивая глубину резания примерно на 2 мм (1/16") на каждом проходе (рисунок T). Не пытайтесь выполнить обработку на большую глубину за один проход.
- Сквозная обработка. Если материал прорезается насквозь, подложите расدونую доску под заготовку. Сначала вырезают круг с припуском по диаметру, после чего диаметр приводит к номиналу путем обработки торца по всей толщине в несколько проходов с небольшой глубиной резания.

Работа в стационарном режиме

ВНИМАНИЕ! При использовании фрезера с модулем фрезерного стола для обрабатываемых центров Triton TWX7RT001 максимальный диаметр режущего инструмента составляет 50 мм. Эта особенность продиктована характеристиками обрабатываемого центра.

Примечание. Установка и эксплуатация фрезера на столе для фрезеров выполняется в соответствии с документацией, которая поставляется в комплекте со столом.

Примечание. Хотя данное изделие можно эффективно и удобно эксплуатировать практически с любым столом для фрезера, рекомендуется использовать стол Triton RTA300 и TWX7RT001.

Примечание. Благодаря уникальным особенностям этого фрезера, описанным выше, его настройка не представляет никаких трудностей. Смотрите разделы

«Установка и смена режущего инструмента» и «Регулировка глубины резания».

Примечание. Перед установкой фрезера на стол необходимо ОБЯЗАТЕЛЬНО демонтировать пружину. Для этого:

1. Переведите бабку фрезера в крайнее верхнее положение и включите фиксацию положения рычагом (11).
2. Выкрутите на несколько оборотов маленький винт, который находится рядом с крышкой пружины механизма вертикального перемещения (21).
3. Крепко удерживая крышку пружины (во избежание вылета пружины), поверните ее против часовой стрелки и снимите (рисунок O).
4. Вытащите пружину и сохраните ее в безопасном месте.
5. Установите крышку на место и затяните винт.

ПРИМЕЧАНИЕ. Перед использованием фрезера в ручном режиме обязательно установите пружину механизма вертикального перемещения обратно на место.

Доступ к винтам в подошве

1. Для установки фрезера на стол стороннего производителя или стол собственной конструкции необходимо выкрутить 4 винта в подошве, показанные на рисунке Q и снять подошву.
2. Имеются 2 вида резьбы (смочите рисунок II). Есть винты с резьбой 4-1/8 (A), которые используются для крепления подошвы и монтажа на стол, и есть альтернативный набор из 3 винтов с резьбой (B)

Примечание. Винты с резьбой M6 отсутствуют в ранних исполнениях фрезера TRA001.

Оснастка

- Местный дилер Triton предлагает широкий выбор оснастки к этому инструменту, включая самые различные фрезы/режущие инструменты. Кроме того, у дилера Triton или на сайте www.toolsparesonline.com можно заказать запчасти: графитовые щетки, направляющие втулки и канги.

Техническое обслуживание

ВНИМАНИЕ! Осмотр, обслуживание или очистку разрешается начинать ТОЛЬКО после того, как инструмент будет отключен от источника питания.

Общий осмотр

- Регулярно проверяйте затяжку всех крепежных винтов.
- Перед каждым использованием инструмента осматривайте шнур питания на предмет повреждений или износа. Ремонтные операции должны проводиться только официальным сервисным центром Triton. Эта рекомендация распространяется и на шнуры-удлинители, используемые с инструментом.

Очистка

ВНИМАНИЕ! При очистке этого инструмента ВСЕГДА пользуйтесь средствами защиты, включая средства защиты глаз и перчатки.

- Всегда держите инструмент в чистоте. Пыль и грязь ускоряют износ внутренних деталей и сокращают срок службы устройства.
- Для чистки корпуса используйте мягкую щетку или сухую тряпку.
- Запрещается использовать щелочные вещества для очистки пластиковых деталей. Если сухая чистка не дает желаемого результата, рекомендуется протереть инструмент влажной тряпкой с мягким моющим средством.
- Не допускайте контакта инструмента с водой.
- Тщательно высушите инструмент перед использованием.
- По возможности рекомендуется продувать вентиляционные отверстия сухим и чистым сжатым воздухом (при необходимости).

Смазка

- Регулярно смазывайте все движущиеся детали подходящей распыляемой смазкой.

Щетки

- Со временем угольные щетки внутри электродвигателя (6) изнашиваются.
- Если щетки изношены слишком сильно, то возможна потеря мощности, прерывистая работа электродвигателя или видимое искрение.
- Чтобы заменить щетки, снимите две крышки (9). Аккуратно вытащите изношенные щетки (рисунок P) и очистите гнезда. Аккуратно вставьте новые щетки и установите крышки.
- После установки дайте фрезеру поработать 2-3 минуты без нагрузки, чтобы щетки приработались. Для полной приработки щеток могут потребоваться несколько включений. Искрение электродвигателя может продолжаться до тех пор, пока щетки не приработаются.
- Также можно сдать инструмент на обслуживание в официальный сервисный центр.

Хранение

- Инструмент должен храниться в надежном, сухом и недоступном для детей месте.

Утилизация

Утилизация неработающего и не подлежащего ремонту электроинструмента должна выполняться в строгом соответствии с государственными нормативами.

- Запрещается утилизировать электроинструмент или иной лом электрического и электронного оборудования с бытовым мусором.
- Обратитесь в местное управление по утилизации отходов за информацией о правильных методах утилизации электроинструмента.

Поиск и устранение неисправностей

Неисправность	Возможная причина	Метод устранения
Не срабатывает выключатель (8).	Отсутствует питание.	Проверьте источник питания.
	Неисправен выключатель питания.	Сдайте инструмент в официальный сервисный центр Triton на замену выключателя.
Неточный профиль обработки.	Неправильно настроен упор (3).	Убедитесь, что положение упора соответствует максимальной величине припуска, на которую настроены поворотные ограничители (1).
	Фреза/режущий инструмент (23) неправильно установлен или не затянут.	Затяните фрезу/цангу и режущий инструмент.
Фрезер не запускается	Питание не подается.	Убедитесь, что в источнике питания есть напряжение.
	Залипли или изношены щетки.	Отключите питание, снимите крышки щеток (9) и убедитесь, что щетки не повреждены и не изношены слишком сильно.
	Неисправен выключатель.	Сдайте инструмент на обслуживание в официальный сервисный центр Triton.
	Неисправность или короткое замыкание деталей электродвигателя.	
Фрезер работает или режет слишком медленно.	Затуплен или поврежден режущий инструмент.	Заточите или замените режущий инструмент.
	Регулятор частоты вращения (10) настроен на низкую частоту вращения.	Увеличьте частоту вращения.
	Электродвигатель перегружен.	Снизьте усилие подачи фрезера.
Чрезмерная вибрация.	Фреза неправильно установлена или не затянута.	Переустановите или подтяните фрезу.
	Фреза изогнута или повреждена.	Замените фрезу.
Сильное искрение внутри корпуса электродвигателя.	Щетки заедают.	Отключите питание, снимите щетки, очистите или замените их.
	Электродвигатель поврежден или изношен.	Сдайте инструмент на обслуживание в официальный сервисный центр Triton.
Ручка точной регулировки (20) «щелкает» или не выполняет регулировку.	Включена фиксация вертикального положения рычагом (11).	Отключите фиксацию вертикального положения рычагом.
	Достигнут предел диапазона регулирования.	Переустановите ручку точной регулировки и задайте глубину с помощью упора (3).
Инструмент издает посторонний шум.	Заведание механизма.	Сдайте инструмент на обслуживание в официальный сервисный центр Triton.
	Повреждение внутренних обмоток.	

Декларация соответствия CE

Нижеподписавшийся: Господин Дэррел Моррис (Darrell Morris)

уполномоченный компанией: Triton Tools

Заявляет, что

Идентификационный код: 330165

Описание: Двухрежимный прецизионный фрезер мощностью 2400 Вт

Соответствует следующим директивам и стандартам:

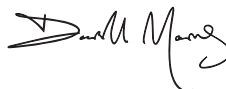
- Директива по машинам 2006/42/EC
- Директива по низковольтному оборудованию 2006/95/EC
- Директива по электромагнитной совместимости 2004/108/EC
- Директива об ограничении использования вредных веществ 2011/65/EU
- EN60745-1:2006+A11:2010
- EN60745-2-17:2010
- EN55014-1:2006+A1+A2
- EN55014-2:1997+A1+A2
- EN61000-3-2:2006+A1+A2
- EN61000-3-3:2013

Уполномоченный орган: TÜV Rheinland Co., Ltd.

Владелец технической документации: Triton Tools

Дата: 24/11/2015

Подпись:



Господин Дэррел Моррис (Darrell Morris)

Директор

Название и адрес производителя:

Powerbox International Limited, Company No. 06897059. Юридический адрес: Central House, Church Street, Yeovil, Somerset BA20 1HN, United Kingdom (Великобритания).

RU

Az eredeti utasítások fordítása

Bevezetés

Köszönjük, hogy megvásárolta ezt a Triton szerszámot! Kérjük, hogy olvassa el az alábbi útmutatót; ez a termék biztonságos és hatékony üzemeltetéséhez szükséges információkat tartalmazza. A termék számos különleges funkcióval rendelkezik, és még ha ismeri is a hasonló termékeket, a jelen útmutatót elolvasása segítségére lesz abban, hogy a termék különleges kialakításából származó összes előnyt kiaknázhassa. Tartsa ezt az útmutatót könnyen elérhető helyen, és ügyeljen arra, hogy a kéziszerszámot használó minden személy elolvassa és teljesen megértse a tartalmát.

A szimbólumok leírása

A készülék adattábláján jelölések találhatók. Ezek fontos információkat tartalmaznak a termékről vagy annak használatáról.



Viseljen fülvédőt.
Viseljen védőszemüveget.
Viseljen védőmaszkot.
Viseljen fejdédőt.



Viseljen védőkesztyűt.



Olvassa el a kezelési útmutatót.



Vigyázzat!



Figyelem! Éles pengék vagy fogak!



Ne használja esőben vagy nedves környezetben!



Mindig válassza le a gépet a hálózati feszültségről, ha nem használja, vagy mielőtt bármilyen beállítási, tartozékcserélési, karbantartási vagy tisztítási műveletet végez.



Porelszívás szükséges/javasolt.



II. érintésvédelmi osztály (kettős szigetelés a nagyobb védetség érdekében)



Környezetvédelem A leselejtezett elektromos termékeket nem szabad a háztartási hulladékba dobni. Kérjük, vigye el a megfelelő újrafelhasználási helyre, ha létezik ilyen. Keresse meg a helyileg illetékes hatóságokat vagy a forgalmazót az újrafelhasználásra vonatkozó tanácsokért.



A készülék megfelel a vonatkozó jogszabályoknak és biztonsági szabványoknak.

Műszaki adatok

Típuszám:	TRA001
Feszültség:	EU – 220 - 240 V~ 50 Hz
Teljesítmény:	2400 W
Üresjárat fordulatszám:	8000 -21 000 f/perc
Befogópatron:	½" & 12 mm
Vágófej maximális átmérője:	55 mm (50 mm WX7RT001 munkaállomás esetén)
Befogópatron maximális mérete:	½" (angolszász), 12 mm (metrikus)
Magasságállítás:	1) Szabad marási mélység 2) Asztalmagasság-állító hajtókar 3) Finombeállító forgatógomb
Marásmélység tartománya:	0-68 mm
Víz elleni védeettségi osztály:	IP20
Érintésvédelmi osztály:	□
Hálózati vezeték hossza:	3 m
Méret (M x Sz x H):	180 x 300 x 310 mm
Tömeg:	6,3 kg
A folyamatos termékfejlesztés részeként a Triton termékek műszaki adatai értesítés nélkül megváltozhatnak.	
Zajra és rezgésre vonatkozó adatok:	
Hangnyomás (LPA):	85,5 dB(A)
Hangteljesítmény (LWA):	96,5 dB(A)
Tűrés, K:	3 dB
Súlyozott vibráció, ah:	4,795 m/s ²
Tűrés, K:	1,5 m/s ²
A kezelő számára a zajszint meghaladhatja a 85 dB(A) értéket, és szükséges lehet a hallásvédő eszközök alkalmazása.	

FIGYELEM: Mindig viseljen hallásvédő eszközt, ha a zajszint meghaladja a 85 dB(A) értéket, és korlátozza a zajnak való kitettség időtartamát, amennyiben szükséges. Ha a zajszint még fülvédővel is kényelmetlen, azonnal hagyja abba a szerszám használatát, és ellenőrizze, hogy a fülvédő megfelelően illeszkedik-e, és biztosítja-e a szerszám által keltett hangszint megfelelő csökkentését.

FIGYELEM: A szerszám vibrációja a felhasználónál a tapintásérzék elvesztését, zsibbadást, bizsergő érzést és csökkent fogási készséget eredményezhet. A hosszú távú kitettség krónikus betegséget okozhat. Szükség esetén korlátozza a rezgésnek kitettség időtartamát, és használjon rezgéscsillapító kesztyűt. Ne használja a szerszámot csupasz kézzel a normál, kellemes hőmérséklet alatti, mivel ekkor a rezgésnek erősebb lesz a hatása. A műszaki adatokban megadott vibrációs számadatokból kiszámítható a szerszám használatának időtartama és gyakorisága.

A műszaki adatokban megadott hang- és vibrációs szintek az EN60745 vagy hasonló nemzetközi szabványoknak megfelelően vannak meghatározva. A számadatok a szerszám szokásos működési körülmények között történő normál használatát jelzik. A hanyagol karbantartott, helytelenül összeszerelt, vagy nem megfelelő módon használt szerszámnál a zajszint és a rezgésszint megemelkedhet. A www.osha.europa.eu weboldal tájékoztatást nyújt a munkahelyi hang-és vibrációs szintekről. Ez hasznos lehet az otthoni felhasználók számára, akik a szerszámokat hosszú időn át használják.

Általános munkavédelmi tudnivalók

FIGYELEM! Olvassa el az összes munkavédelmi figyelmeztetést és utasítást.
Amennyiben nem veszi figyelembe a figyelmeztetéseket, és nem tartja be az utasításokat, súlyos sérülések következhetnek be.

FIGYELEM: Ezt a készüléket nem használhatják csökkent fizikai vagy érzelmi képességekkel rendelkező személyek (beleértve ebbe a gyermekeket is), vagy tapasztalat és ismeretek nélküli rendelkező emberek, hacsak nem állnak a biztonságért felelős személy felügyelete alatt, illetve nem követik annak utasításait. A gyermekeket felügyelet alatt kell tartani, hogy ne jusszanak a készülékkel.
Olvassa meg minden figyelmeztetést és utasítást a későbbi tájékoztató érdekében. A figyelmeztetéseken emellett „szerszámegpé” kifejezés az összes alábbi figyelmeztetés esetén a biztonságos hálózatról üzemelő (vezetékes) szerszámegpére és az akkumulátorról üzemelő (vezeték nélküli) szerszámegpére is vonatkozik.

1) Munkaterület biztonsága

- a) **Tartsa tisztán és jól megvilágítva a munkaterületet.** A rendezetlen és sötét területek vonzzák a baleseteket.
- b) **Ne működtesse az elektromos kéziszerszámokat robbanásveszélyes folyadékok, gázok vagy por jelenlétében.** Az elektromos kéziszerszámok szikrákat bocsátanak ki, amelyek meggyújthatják a port vagy a gázokat.
- c) **Az elektromos kéziszerszám használata közben a gyermekeket és a környezetben tartózkodókat tartsa távol!** A figyelemelvonnás miatt elvesztheti ellenőrzését a munka felett.

2) Elektromos biztonság

- a) **A szerszám csatlakozódugója illeszkedjen az aljzathoz!** Soha, semmilyen módon ne alakítsa át a dugaszt. *Semmilyen csatlakozódugóadaptert ne használjon védővezetékekkel ellátott („földelt”) szerszámegpéhez. A nem módosított, és az aljzatba illeszkedő csatlakozódugók csökkentik az áramütés veszélyét.*
- b) **Kerülje a fizikai érintkezést földelt vagy testelt felületekkel (pl. csövek, radiátorok, tűzhelyek, hűtőszekrények). Nő az áramütés veszélye, ha a felhasznált teste földelve van.**
- c) **Ne tegye ki a szerszámegpéket esőnek vagy vízes környezetnek. A szerszámegpébe kerülő víz növeli az áramütés kockázatát.**

Az erős sértés meg a tápkábelt. Soha ne vigye, húzza vagy távolítsa el az aljzattól a szerszámegpét a vezeték nélküli fogva. A kábeli társítás távol a hőforrásoktól, olajtól, éles peremekről vagy mozgó alkatrészekről. A megrongálódott vagy összekuszálódott kábelek növelik az áramütés veszélyét.

- Ha az elektromos kéziszerszámot kültéri környezetben használja, használjon a kültérben alkalmazható hosszabbító kábelt. A kültéri alkalmazásra megfelelő hosszabbító használata csökkenti az áramütés veszélyét.
- f) **Ha az elektromos kéziszerszám nedves környezetben történő működtetése elkerülhetetlen, használjon lekapcsoló áramvédő eszközt (RCD) védett áramforrást. A FI-rele használata csökkenti az áramütés veszélyét.**

3) Személyi biztonság

- a) **Legyen figyelmes, ügyeljen arra, amit tesz, és őrizze meg a józan ítélőképességet az elektromos kéziszerszám működtetése közben. Ne használja az elektromos kéziszerszámot, ha fáradt, vagy amennyiben kábítószerek, alkoholi vagy gyógyszeres hatása alatt áll. Az elektromos kéziszerszám működtetése során előforduló pillanatnyi figyelmetlenség súlyos személyi sérülést eredményezhet.**
- b) **Használjon személyi védőfelszerelést. Mindig használjon védőeszközöket. Az adott körülményekre alkalmazott olyan biztonsági felszerelések, mint például porvédő maszk, csúszásmentes biztonsági lábbeli vagy tűvédő csökkenti a személyi sérülések veszélyét.**

- c) **Kerülje el a véletlenszerű elindítást. Az áramforráshoz és/vagy az akkumulátorhoz történő csatlakoztatás előtt, vagy az eszköz felemelésekor vagy szállításakor, győződjön meg róla, hogy a BE/KI kapcsoló az OFF (KI) helyzetben van-e. Baleset forrása lehet, ha a szerszámegpét úgy szállítja, hogy közben az újrat a BE/KI kapcsolón tartja, vagy áram alá helyezi a szerszámegpét úgy, hogy a kapcsolója bekapcsolt (ON) helyzetben van.**
- d) **Az elektromos kéziszerszám bekapcsolása előtt távolítsa el minden beállítókulcsot vagy fogót. Az elektromos kéziszerszám valamilyen mozgó alkatrészén hagyott villáskulcs vagy állítókulcs személyi sérülést okozhat.**

- e) **Kerülje a rendellenes tesztartást. Mindig biztonságot alján a lábán, és őrizze meg az egyensúlyát. Ez az elektromos kéziszerszám biztosabb irányítást teszi lehetővé váratlan helyzetekben.**
- f) **Ötözön megfelelően. Ne viseljen bő ruhákat vagy ékszereket. A haját, a ruháját és a kesztyűjét tartsa távol a mozgó alkatrészekről. A bő ruhák, ékszerek vagy a hosszú haj beleakadhatnak a mozgó alkatrészekbe.**

- g) **Ha rendelkezésre állnak a megelőző készülékek és a gyújtótartályok, győződjön meg róla, hogy csatlakoztatták és megfelelően használják őket. Ezeknek a készülékeknek a használata csökkenti a porral járó veszélyeket.**
- 4) **Az elektromos kéziszerszám használata és karbantartása**
- a) **Ne erőltesse az elektromos kéziszerszámot. A célnak megfelelő elektromos kéziszerszámot használja. A megfelelő elektromos kéziszerszám jobban és biztonságosabban végzi el azt a feladatot, amelyre tervezték.**
- b) **Az elektromos kéziszerszámot ne használja akkor, ha a BE/KI kapcsoló nem működik megfelelően (nem kapcsolja ki vagy be a készüléket). A BE/KI kapcsolójával nem vezérelhető elektromos kéziszerszám veszélyes, ezért meg kell javítani.**

- c) **Húzza ki a csatlakozót a táplálásból, és/vagy vegye ki az akkumulátort az elektromos kéziszerszámából, mielőtt bármilyen beállítást vagy tartozékcsere-t hajtana létre, illetve eltávolítja a szerszámot. Az ehhez hasonló meglező intézkedések csökkentik a véletlenszerű bekapcsolás kockázatát.**
- d) **A használaton kívüli elektromos kéziszerszámot tartsa távol a gyermekektől, és ne engedje, hogy a szerszám használatát vagy a jelen kézikönyvet nem ismerő személyi működtetése az elektromos kéziszerszámot. Az elektromos kéziszerszámok veszélyesek lehetnek a gyakorlati nem rendelkező felhasználók kezében.**

e) **Tartsa karban az elektromos kéziszerszámot. Ellenőrizze, hogy a mozgó alkatrészek illeszkedése és beállítása megfelelő-e, nincs-e rajtuk meghibásodott elem, vagy nem áll-e fenn olyan körülmény, amely hatással lehet az elektromos kéziszerszám működésére. Használat előtt javítsa meg az elektromos kéziszerszámot, amennyiben az sérült. A nem megfelelően karbantartott elektromos kéziszerszámok sok balesetet okoznak.**

- f) **A vágóeszközök tartása élesen és tisztán. A megfelelően karbantartott, éles vágóélekkel rendelkező vágóeszközöknel kevésbé valószínű a beszorulás, és a szerszám irányítása is könnyebb.**
- g) **Az elektromos kéziszerszámokat, a kiegészítőket, a betétekeket stb. a jelen utasításoknak megfelelően használja, figyelembe véve a munkadarabjainyekt és a végrehajtandó munkát. Az elektromos kéziszerszám rendeltetéstől eltérő használata veszélyes helyzetet okozhat.**

5) Szerviz

- a) **Az elektromos kéziszerszám szerelését bizza szakképzett szerelőre, aki az eredetivel megegyező alkatrészekkel végezze a javítást. Ez biztosítja az elektromos kéziszerszám biztonságos működésének fenntartását.**

A felsőmarókra vonatkozó további munkavédelmi tudnivalók



FIGYELEM:

- **Az elektromos szerszámot kizárólag a szigetelt markolatainál fogja meg, mivel a vágófej véletlenül hozzérheti a saját tápkábeléhez. A feszültség alatt álló vezeték elvágása miatt a szerszám fém alkatrészei is áram alá kerülhetnek, és a kezelő áramütés érheti.**
- **Használjon pillanatsszorított vagy más eszközt a munkadarab stabil felülethez való rögzítéséhez és átáramtásához. A munkadarab kézben tartása vagy az emberi testhez szorítása instabilitást eredményez, és az uralom elvesztéséhez vezethet.**
- **Ha a tápkábel cseréje szükséges, a kockázatok elkerülése végett azt a gyártónak vagy a szervizképviselőnek kell elvégeznie.**
- **Nyomatékosan javasoljuk, hogy az áramlétást mindig érintésvédelmi, áramvédő kapcsolón (FI-rel) keresztül biztosítsa, amelynek az érzékenysége nem haladhatja meg a 30 mA értéket.**
- a) **Használjon védőfelszerelést, például védőeszköveget vagy pajzsot, fűlvédőt, porvédő maszkot és védőruházatot, ideértve a védőkesztyűt.**
- b) **A munkaterület körül soha ne hagyjon ruhát, kábel, drótot stb.**
- c) **Ellenőrizze, hogy a hálózati feszültség értéke megegyezik-e a szerszám adatlapjában feltüntetett feszültséggel.**
- d) **Ellenőrizze, hogy a szerszámegpéhez használt kábelhosszabbítók jó állapotban vannak-e és a gépnak megfelelő áramerősségre készültek-e.**
- e) **A túlmelegedés elkerülése érdekében teljesen csévélje le a kábelt a kábeldobról.**
- f) **Használjon megfelelő detektorokat annak meghatározására, hogy vannak-e rejtett vezeték a megmunkálandó felület alatt. Szükség esetén vegye fel a közüzőszolgáltatókkal a kapcsolatot. Az elektromos vezetékkel való érintkezés áramütéshez és tűzhoz vezethet. A gázvezetékek megsértése robbanásához vezethet. A vízvezetékkel való érintkezés nagyobb mérvű áramú károhoz vezethet.**
- g) **A munka megkezdése előtt távolítsa el a munkadarabok az idegen tárgyakat, pl. szegeket és csavarokat.**
- h) **A gép marófejét kezelje óvatosan, mert ezek rendkívül élesek lehetnek.**
- i) **Használat előtt ellenőrizze gondosan a marófejen a károsodás jeleit vagy a repedéseket. Azonnali cserélje ki a sérült vagy repedt marófejet.**
- j) **Ügyeljen arra, hogy a gép marófeje élesek legyenek, és gondoskodjon megfelelő karbantartásokról. A tempa élek helyzetellen helyzeteket, például megállást, fokozott hőterhelődést és sérülést okozhatnak.**
- k) **MINDIG használja mindkét fogantyút, és bármilyen munka folyamán tartsa szilárdan a felsőmarót.**
- l) **A használat közben való biztonságos kézben tartás érdekében a markolatokat tartsa szárazon, tisztán, olaj- és zsírmentesen.**
- m) **Mielőtt a géppel egy vágást ejtne, kapcsolja be a szerszámegpét, és hagyja működni egy ideig. A rezgés a rosszul behelyezett marófej jele lehet.**
- n) **Figyelje meg a marófej forgási irányát és az előtöltési irányt.**
- o) **Ne nyúljon kézzel a vágási terület és a felsőmaró marófeje közelébe. Szabad kezét tartsa a segédmarkolaton vagy a szerszám szigetelt markolatfelületén.**
- p) **SOHA ne indítsa el a felsőmarót, ha a marófej érintkezik a munkadarabbal.**
- q) **Ha kézben tartva használja a szerszámegpét, győződjön meg arról, hogy a mélyégtartó rugó fel van szerelve.**
- r) **A befogopatron záró pozíciójáig való lezúrás előtt győződjön meg róla, hogy a megmunkált fej teljesen leállt.**
- s) **Kizárólag olyan maró-vágófejeket használjon, melynek maximális fordulatszámá magasabb vagy egyenlő az elektromos kéziszerszám legnagyobb jelzett fordulatszámával.**
- t) **Használat közben a marófejek felforrósodhatnak. Használat után közvetlenül ne vegye kézbe a marófejeket az égési sérülés elkerüléséért.**
- u) **Ügyeljen arra, hogy ezek az alkatrészek ne kerüljenek érintkezésbe tűveszélyes anyagokkal.**
- v) **A felsőmaróra szerelt befogopatron méretével teljesen megegyező méretű marófej szarát használjon. A helytelenül felszerelt marófejek rendellenesen fognak forogni, ami megnövekedett rezgést eredményez, és a gép felületi uralom elvesztését okozhatja.**
- w) **A felsőmaró működése közben NE nyomja be a tengelyreterelő gombot, illetve ne próbálja a szerszámot átkapcsolni fejcsereiről üzemeltetésbe.**
- x) **A munkadarabra való bevágáskor egyenletes nyomást fejtson ki, és hagyja,**

HU

hogy a marófej határozza meg a marás sebességét. *NE erőltesse a szerszámot, és ne terhelje túl a motort.*

- y) **Ügyeljen arra, hogy a készüléken elhelyezett adattábla és a figyelmeztető címkek jól olvashatóak maradiának, és cserélje azokat elszennyeződésük vagy sérülésük esetén.**
- z) **A felsőmaró használata közben legyen tudatában annak, hogy a marófej megszorulhat a munkadarabban, és a gép feletti uralom elvesztését okozhatja. A felsőmarót mindig tartsa erősen, és azonnal engedje el a be/ki kapcsolót az ilyen esetekben.**
- **A felsőmaró bekapcsolása után ellenőrizze, hogy a marófej egyenletesen forog-e (nem imbolyog-e), és hogy nem lépett-e fel rendellenes rezgés a marófej esetleges helytelen beszerelése következtében. A helytelenül felszerelt marófej a gép feletti uralom elvesztéséhez és súlyos sérüléshez vezethet.**
 - **RENDKÍVÜLI odafigyelést igényel az 50 mm-nél (2 coll) nagyobb átmérőjű marófejek használata. Használjon nagyon lassú előtolást és/vagy több sekély vágást a motor túlterhelésének elkerüléséhez.**
 - **A gépnek a munkadarabból való eltávolítása előtt MINDIG kapcsolja ki a gépet, és várja meg, hogy a marófej teljesen leálljon.**
 - **Mielőtt bármilyen beállítást, szervizelést vagy karbantartást végezne, válassza le a gépet a hálózati feszültségről.**

FIGYELEM: Az elektromos szerszámok használatakor keletkezett por mérgező hatású lehet. A vegyszerekkel kezelt vagy bevonttal rendelkező munkadarabok mérgezőt okozhatnak. Bizonyos természetes és mesterséges anyagok mérgező vegyületeket is tartalmazhatnak. Egyes régebbi festékek ólmot és egyéb vegyi anyagokat tartalmazhatnak. Kerülje a felsőmaró használata közben keletkezett porral való hosszan tartó érintkezést. *Ügyeljen arra, hogy a por ne kerüljön a bőrére és a szemébe, illetve ne jusson a szájába, hogy megelőzze a káros vegyületeknek a szervezetbe jutását. Ahol lehetséges, a munkát jól szellőző területen kell végezni. Viseljen megfelelő porvédő maszkot, és használjon porszívó rendszert, ahol lehetséges. Ahol a pornak való kitettség gyakoribb, még fontosabb az összes munkavédelmi szabály betartása és a magasabb besorolású személyi védőeszközök használata.*

A termék ismertetése

1. Torony ütköző
2. Tokmány
3. Mélységi ütköző
4. Oldalsó szellőzőnyílások
5. Mélységi ütköző rögzítógombja
6. Motor
7. BE/KI kapcsoló biztonsági fedele
8. Be-/ki kapcsoló
9. Széneketartó-fedél
10. Fordulatszám-szabályozó
11. Mélységrögzítő kar
12. Védoelemek
13. Talplemez rögzítógombjai
14. Asztalmagasság-állító hajtókár csatlakozópontja
15. Porelvezető csont
16. Automatikus tengelyreteszelés
17. Mélységbeállító fogantyú kapcsológyűrűje
18. Marásválasztó gomb
19. Mélységbeállító fogantyú
20. Finombeállító gomb
21. Mélységértető rugó sapkája
22. Vezetőlemez
23. Befogópatron
24. Asztalmagasság-állító hajtókár
25. Villáskulcs
26. Körmarás elforgó rögzítése
27. Kiegészítő talplemez

II. ábra

- A. ¼ UNC x4
B. M6 x3
C. Mélyedés az asztalmagasság-állító hajtókár számára

Rendeltetészerű használat

Precíziós, kézi felsőmaró legfeljebb 12 mm (½) átmérőjű szárral rendelkező marófejek számára (a felszerelt befogópatronról függően). Profilok, hornyok, élék és nyújtott furatok természetes és mesterséges faanyagban való elkészítéséhez használható. Vezetőhüvelyekkel és sablonokkal is használható alakzatok, minták kivágására, valamint álló gépként is használható a megfelelő felsőmaró asztalokban.

A szerszám kicsomogolása

- Óvatosan csomagolja ki és ellenőrizze a szerszámot. Alaposan ismerkedjen meg az összes kezelőszerveivel és funkcióival.
- Ellenőrizze, hogy a szerszám minden alkatrésze a helyén van és jó állapotú-e. Ha bármelyik alkatrész hiányzik vagy sérült, cseréltesse ki, mielőtt használni kezdi a szerszámot.

Használat előtt

⚠ FIGYELEM: Bármely tartozék felszerelése vagy cseréje, valamint beállítások elvégzése előtt mindig húzza ki a szerszám dugvilláját a hálózati aljzatból.

Befogópatron és marófej felszerelése

Megjegyzés: A marófejek be- és kiszárazásokkor mindig viseljen védőkesztyűt, mert a fejek megmunkáló felületei nagyon élesek.

1. Teljesen álló motornál (6) és a hálózati aljzatból kihúzott dugvillával helyezze a felsőmarót fejfelé lefele egy sik felületre.
2. Süllyesztesse a felsőmarót a maximális mélységig a mélységbeállító fogantyú kapcsológyűrűjének (17) („B” kép) benyomásával, majd a mélységbeállító fogantyú (19) óramutató járásának irányával megegyező elforgatásával addig, míg a befogópatron (23) túl nem nyúlik a talpon.

Megjegyzés: Ügyeljen arra, hogy a mélységi ütköző (3) teljesen vissza legyen húzva (lásd a Mélységi ütköző és a torony ütköző c. részt). A befogópatronnak ki kell nyúlnia a talpból, hogy kulccsal könnyen hozzá lehessen férni.

3. A mellékelt villáskulccsal (25) addig lazítsa a befogópatront az óramutató járásával ellentétes irányba forgatással, míg az eltávolíthatóvá nem válik.
4. Válassza ki a megfelelő befogópatron, majd szerelje a tokmányba (2) a befogópatron óramutató járásával megegyező becsavarásával.
5. Helyezze a marófejet a befogópatronba, ügyeljen arra, hogy legalább 20 mm legyen a zár felé (attól függően, hogy merly érték a nagyobb) a befogópatronban helyezkedjen el, majd a villáskulccsal enyhén fordítsa el a befogópatron a befogópatron reteszeldőjén („C” kép). Amint ez megtörtént, fordítsa el a villáskulcsot az óra járásával egyező irányba, a marófej megszorításához.
6. Állítsa vissza a felsőmarót normál működési mélységre. Ezzel kiodlja a befogópatron zárását, és feloldja a Be/Ki kapcsoló biztonsági fedelet, így hozzáférhetővé válik a kapcsoló (8).

Porelvezető csont

Megjegyzés: A Triton felsőmaró porelvezető csonttal (15) rendelkezik a marás feletti forgácsevezetés érdekében. A porelvezető csontokhoz 38 mm-es (1½) külső átmérőjű tömlő csatlakoztatható, amelyet a Triton porgyűjtőhöz (DCA300) mellékelnek.

- A porelvezető tömlő balmenetes (az óramutató járásával ellentétes irányú) elforgatással rögzíthető a helyére („D” kép).

Opcionális forgácsgyűjtő tartozék

- A helyi Triton kiskereskedőkön keresztül kapható egy opcionális porcsúszda is a vágási zónából történő hatékony forgácseltávolításhoz. Ez bármilyen 38 mm-es (1½) külső átmérőjű tömlőhöz csatlakoztatható („E” kép).

Kiegészítő talplemez és vezetőlemez felszerelése

1. Keresse meg a talplemez két rögzítógombját (13), majd lazítsa meg azokat teljesen. Ez lehetővé teszi, hogy a felsőmaró illesztőcsapjai beakadhasanak a kiegészítő talplemez rögzítőnyílásaiba (27).
 2. Fordítsa fejfelé lefele a felsőmarót és a kiegészítő talplemezt.
 3. Nyomja be a talplemezt rögzítő gombokat a felsőmarón, hogy az illesztőcsapok megjelenjenek.
 4. Állítsa egy vonalba a felsőmaró illesztőcsapjait a kiegészítő talplemezen lévő rögzítőnyílásokkal, majd csúsztassa a csapokat a kulcsnyílásokba („K” kép).
- Megjegyzés:** A kiegészítő talplemez elhelyezkedése attól függ, hogy hol szükséges az alátámasztás. Élezési munkák végzéséhez keresse meg a BE/KI kapcsolót (8) a talp rövidebbik túlnyúló részén.
5. Húzza meg szilárdan a talplemez rögzítógombjait a felsőmarón, hogy a felsőmaróhoz rögzítse a kiegészítő talplemezt.
 6. A vezetőlemez (22) felszereléséhez lazítsa ki a vezetőlemez forgatógombjait, majd csúsztassa végig a vezetőlemez a kiegészítő talplemezen lévő pályákra („L”) kép. Rögzítse a megfelelő beállításnál a vezetőlemezt a két gombjának meghúzásával.

Megjegyzés: Egy éltől bizonyos távolságra elhelyezkedő árkok marásakor illesse a vezetőlemez a kiegészítő talplemez hosszabb éléhez.

Megjegyzés: Nem görgővel vezetett marófejjel végzett ékialakított munkánál illesse a vezetőlemez a talplemez rövidebb éléhez („J” kép).

Megjegyzés: Nagyméretű marófej használatakor szükségessé válhat fa tusok rögzítése a vezetőlemez homloklapjához a csavarnyílások segítségével, annak biztosítására, hogy a marófej ne érjen hozzá a vezetőlemezhez.

Használat

⚠ FIGYELEM: MINDIG viseljen védőszemüveget, megfelelő pormaszkot, fülvédőt és munkavédelmi kesztyűt, amikor a géppel dolgozik.

Be- és kikapcsolás

Megjegyzés: Amikor a felsőmaró a hálózati feszültséghez van csatlakoztatva, a BE/KI kapcsoló (8) Be és Ki állapotban is világít.

Megjegyzés: A BE/KI kapcsoló visszahúzódo felele (7) megakadályozza a felsőmaró elvittetését indítását. Ezt a felsőmaró elvittetéséhez el kell húzni. A BE/KI kapcsoló visszahúzódo felele nyitva marad a felsőmaró kikapcsolásához.

1. Ügyeljen arra, hogy a felsőmaró a meghosszabbított pályájának maximális kiterjedésénél legyen, és hogy a marófej ne érjen idegen tárgyhoz a bekapcsolásakor.

2. Csatlakoztassa a szerszám dugvilláját a hálózati konnektorhoz, majd csúsztassa hátra a BE/KI kapcsoló visszahúzódo fedelét, hogy hozzáférjen a kapcsolóhoz.

3. A felsőmaró bekapcsolásához tolja a BE/KI kapcsolót „I” helyzetbe. Miközben a BE/KI kapcsoló ebben a helyzetben van, a visszahúzódo felele reteszelt állapotú, és nem tud visszahúzódozni, hogy elfedje a kapcsolót.

4. Kikapcsoláshoz tolja a BE/KI kapcsolót „O” helyzetbe. A BE/KI kapcsoló visszahúzódo fedele visszacsúszik az eredeti helyzetébe.

Fordulatszám-szabályozás

Megjegyzés: A felsőmaró fordulatszámának beállítása nem döntő fontosságú. Általában azt a legmagasabb fordulatszámot kell használni, amely nem okoz égési sérüléseket a munkadarabon. Ahol ez meg van adva, kövesse a marófeje gyártójának útmutatásait a maximális fordulatszámra vonatkozóan.

- Alacsonyabb fordulatszámra történő üzemeltetés esetén megnöveked a felsőmaró károsodásának veszélye a túlterhelés következtében. Használjon nagyon lassú előtöltést és/vagy több sekély vágást.
- A fordulatszám-szabályozó (10) 1 és 5 közötti jelzésekkel rendelkezik, melyek körülbelül az alábbi fordulatszámoknak és marófeje-átmérőknek felelnek meg. Forgassa el a tárcsát a megfelelő fordulatszám kiválasztásához.

Beállítás	Fordulatsz.	Marófeje Ø
5	21 000	Max. 25 mm (1")
4	18 000	25-50 mm (1"-2")
3	14 500	50-65 mm (2"-2 1/2")
2	11 000	65 mm felett (2 1/2")
1	8000	Csak égetés esetén használja

Marásmélység beállítása

Megjegyzés: A felsőmaró adott marásmélységben való rögzítéséhez sülyessze le a marófejet, majd rögzítéshez fordítsa a mélységrogzítót kart (11) az alsó helyzetébe. Ekkor a marófeje a beállított helyzetben marad.

- Három módszer áll rendelkezésre a marásmélység beállítására a szükséges pontosságtól és vezérléstől függően:

Szabad marásmélység

- A szabad marásmélység beállítása bekapcsolt Marásválasztó gombbal (18) lehetséges. Nyomja mélyen a marásválasztó gombot a markolatba, míg nem rezeszelődik bent („A” kép).
- Oldja fel a mélységrogzítőt kart (11), majd addig nyomja a felsőmaró testét, míg a kívánt mélységet el nem éri. Zárja vissza a mélységrogzítőt kart.

Mélységbeállítás fogantyúval

- A marásmélység beállítása a mélységbeállító fogantyú elforgatásával (19) lehetséges.
- Oldja ki a Marásválasztó gombot (18), és ügyeljen arra, hogy a gomb szintben legyen a mélységbeállító fogantyúval.
- A mélységbeállító fogantyú kioldásához húzza be a fogantyú kapcsolóürrőjét (17) („B” kép).
- Oldja fel a mélységrogzítőt kart (11), majd addig forgassa el a mélységbeállító fogantyút, míg a kívánt mélységet el nem éri. Engedje el a mélységbeállító fogantyú kapcsolóürrőjét, majd zárja a mélységrogzítőt kart.

Finombeállító gomb

Megjegyzés: Kizárólag mélységbeállító fogantyú (19) marási üzemmód esetén használható.

- Oldja ki a Marásválasztó gombot (18), és ügyeljen arra, hogy a mélységrogzítőt kar (11) ne legyen lezárt állapotú.

Megjegyzés: Amennyiben a finombeállító gombot (20) lezárt mélységrogzítőt kar mellett forgatja, a finombeállító forgatógomb elkezd kattogni, és a marásmélység változatlan marad.

- Forgassa a finombeállító forgatógombot az óramutató járásával megegyezően a marásmélység növeléséhez és ellentétesen a csökkentéséhez. A marásmélység beállítását a kívánt érték eléréseig folytassa.

Megjegyzés: Amikor elérli a mélységállítás tartományának végét, a finombeállító forgatógomb elforgatása nehezebbé válik, és forgatáskor elkezd kattogni.

- Zárja a mélységrogzítőt kart, különösen a nagy terhelést jelentő marások esetén.

Mélységi ütköző és a torony ütközői

A mélységi ütköző (3) és a torony ütközői (1) lehetővé teszik három különböző marási mélység pontos, előzetes beállítását.

- Lazítsa meg a mélységi ütköző rögzítógombját (5), majd teljesen húzza vissza a mélységi ütközőt (3), végül szorítsa meg ismét („F” kép).
- Állítsa a torony ütközőt a kívánt marási mélységekbe a torony álló ütközőtömbjén lévő skálák segítségével („G” kép).
- Megjegyzés:** A torony ütközőinek váltásához fordítsa el a teljes ütközőtömböt addig, míg a következő rögzített ütköző a mélységi ütközővel egy vonalba nem kerül. Illesse a szükséges marófejet a befogópatronba (23), majd addig állítsa a merülési mélységet, míg a marófeje csúcsa hozzá nem ér a munkadarabhoz.
- Addig fordítsa el az ütközőtömböt, amíg a tömb rögzített ütközője a mélységi ütközővel egy vonalba nem kerül. Oldja fel az ütközőt, és hagyja, hogy kirugózzon a torony ütközőjére, majd húzza meg ismét a mélységi ütköző rögzítógombját. A marásmélység beállított értéke ekkor nulla.
- Addig fordítsa el az ütközőtömböt, amíg a megfelelő marásmélységű ütköző a mélységi ütközővel egy vonalba nem kerül.

Opcionális másolóhüvelyek

A sablonnal történő felsőmaráshoz különböző másolóhüvelyek állnak rendelkezésre. A kiegészítő készletek a helyi Triton kiskereskedőn keresztül érhetőek el.

Marás elvégzése

Megjegyzés: SOHA ne használja a marófejet a marófejet szabad kézzel, valamilyen vezetőelem nélkül. Vezetés biztosítható egy görgővel vezetett marófejjel, a mellékelt vezetőelemekkel vagy egy egyes peremmel („I” kép).

- A felsőmarót MINDIG tartsa két kézzel, a fogantyújánál fogva. Ügyeljen arra, hogy a munkadarab ne tudjon elmozdulni. Használjon pillanatsszorított, ahol csak lehetséges.
- Hagyja, hogy a motor elérje a teljes üzemi fordulatszámát.
- Engedje le a marófejet a munkadarabra, majd lassan mozgassa a felsőmarót úgy, hogy a talpa felfeküdjön a munkadarabon.
- Elmaráskor a marást a marási irányhoz viszonyítva a bal oldalán kell végezni (l. ábra). Egyenes nyomást fejtessen ki, és hagyja, hogy a marófeje egyenesen munkálja meg az anyagot. Ne felejtse, hogy a csomók és a munkadarab anyagában levő egyéb eltérések lassítják a megmunkálás sebességét.

Megjegyzés: A marófeje csatlóágának elkerülésére a marást külső marás esetén az óramutató járáásával ellentétes irányban, míg belső marás esetén az óramutató járáásával megegyezően végezze.

Megjegyzés: A felsőmaró túl gyors mozgatása gyenge minőségű felületmegmunkálást eredményezhet, valamint túlterhelheti a motort (6). A felsőmaró túl lassú mozgatása a munkadarab túlhevülését eredményezheti.

Megjegyzés: A felsőmaró normál használatá során a marófejet a felsőmaró bekapcsolása után kell a munkadarabra sülyeszteni.

Megjegyzés: Ne működtesse a marófejet fejjel lefelé, kivéve, ha az biztonságosan rögzítve van egy jól védett felsőmaró asztalhoz (pl. Triton márkájúhoz).

Vágás több menetben

- Az ütközőtömb (1) segítségével maximális vágási mélység érhető el a kezelő által meghatározott számú vágási menet során. A toronyvágást minden lépés előre beállítható a torony ütközőtömbjén lévő görgötkerék segítségével.
- Úgy forgassa el a torony ütközőtömböt, hogy a mélységi ütköző a torony előre beállított, legmagasabb ütközőjével érintkezzen a felsőmaró lesüllyesztésekor. Ekkor a vágás első menete elvégezhető.
- Folytassa a vágási menetek végzését, míg a teljes vágási mélységet el nem érte. Minden egyes menet előtt forgassa el a torony ütközőtömbjét, és szükség szerint állítsa a torony ütközőjének mélységén.

Körvágás

- Szerelje fel a kiegészítő talplemezt (27) vezetőlemez (22) nélkül a felsőmaróra.
- Vegye ki a körmaráshoz szükséges elforgó rögzítést (26) a kiegészítő talplemezből, és rögzítse azt a munkadarab középhez egy kis szög vagy csavar segítségével, az elforgó rögzítés egyik nyílásán keresztül („M” kép). Hagyja az elforgó rögzítés csavarját a helyén.
- Engedje rá a felsőmarót és a talpat az elforgó rögzítésre, majd helyezze vissza az alátétet és a szárnyas anyát („N” kép).
- Míg a BE/KI kapcsoló „K” állásban van, fordítsa el a felsőmarót a szándék szerinti útvonalon, hogy ellenőrizze a kört, és megtegye a szükséges beállításokat.
- Több menetben vágja ki a kört, a vágási mélységet kb. 2 mm (1/13") lépésben növelve minden menetben („T” kép). Ne próbáljon meg mélyre vágni egy menetben.
- Átmenő vágás: Ha a vágás áthalat az anyagon, rögzítsen egy feláldozható lapot a munkadarab alá. Vágja túlméretezve a kört, majd amikor a vágás teljesen átért, csökkentse az átmérőt, és dolgozza vissza a kívánt méretre könnyű, teljes mélységű menetekben.

Működtetés asztralra szerelve

FIGYELEM: A TWX7RT001 típusú Triton Workcentre felsőmarásszal való használatkor a maximális vágási átmérő 50 mm. Ezt azonban felülírhatja a Workcentre felsőmaróasztal műszaki adatai.

Megjegyzés: A felsőmaró asztralra szerelésének és az asztral való működtetésének a maróasztalhoz kapott ismertetők szerint kell történnie.

Megjegyzés: Bár a terméket úgy tervezték, hogy biztosítsa a hatékony és kényelmes kezelhetőséget a legtöbb felsőmaróasztalon, elsősorban az RTA300 és TWX7RT001 Triton felsőmaróasztallal való használatra felel meg.

Megjegyzés: A felsőmaró beállításait nagyon könnyen el lehet végezni a kényelmes kezelhetőséget a legtöbb felsőmaróasztalon, elsősorban az RTA300 és TWX7RT001 Triton felsőmaróasztallal való használatra felel meg.

Megjegyzés: A felsőmaró maróasztalra szerelése előtt el kell távolítani a mélységtartó rugót.

- Állítsa a felsőmarót a marási mélység felső értékére, és aktiválja a mélységtartó kart (11).
- Lazítsa meg néhány fordulattal a kis csavart a mélységtartó rugó sapkájá (21) mellett.
- A mélységtartó rugó sapkáját szorosra fogja meg az eltávolításhoz (hogy a rugó ne ugorjon ki), majd fordítsa el a sapkát az óramutató járásával ellentétesen („O” kép).
- Vegye ki a rugót, és tárolja biztonságos helyen.
- Helyezze vissza a mélységtartó rugó sapkáját, és húzza meg újra a csavart.

MEGJEGYZÉS: Mielőtt a felsőmarót szabad kézzel használná, szerelje vissza a mélységtartó rugót.

HU

Hozzáférés a talplemez menetes furataihoz

1. Ha a felsőmarót más gyártmányú vagy saját készítésű felsőmarószalhoz kívánja rögzíteni, távolítsa el a talplemez 4 db csavarját, amint azt a „Q” kép mutatja, és távolítsa el a talplemezt.

2. Két menetes furatsoprot található, ahogy ezt a II. ábra mutatja. A 4 db 1/4"-os UNC menetes furat (A) segítségével rögzíthető a talplemez, valamint lehetővé teszik az asztalra szerelést, továbbá 3 db M6 méretű menetes furat (B) is található.

Megjegyzés: A TRA001 felsőmaró korábbi verziói nem rendelkeznek M6 méretű menetes furatokkal.

Tartozékok

- A jelen elektromos kéziszerszámhoz a Triton forgalmazóknál a tartozékok széles választéka, többek között vágó-/marófejek vásárolhatók meg. A cserealkatrészek, mint pl. a szénkefék, másolóhüvelyek és befogópatronok a Triton forgalmazóknál vagy a www.toolsparsonline.com weboldalon szerezhetőek be.

Karbantartás

⚠ FIGYELEM: MINDIG válassza le a gépet a hálózati feszültségről, mielőtt bármilyen ellenőrzési, karbantartási vagy tisztítási műveletet végez.

Általános átvizsgálás

- Rendszeresen ellenőrizze, hogy minden rögzítősavarr kellően meg van-e húzva.
- Minden egyes használat előtt ellenőrizze, hogy a hálózati kábel nem sérült vagy kopott-e. A javítást egy hivatalos Triton szervizben kell elvégeztetni. Ez a tanács a százzal használt hosszabbító kábelekre is érvényes.

Tisztítás

⚠ FIGYELEM: MINDIG viseljen megfelelő személyi védőfelszerelést, többek között védőszemüveget és kesztyűt a szerszám tisztítása közben.

- Tartsa a szerszámot mindig tisztán. Szennyeződés és por hatására a belső alkatrészek kopása gyorsabb lesz, és lerövidül a szerszám élettartama.
- Tisztítsa meg a gép testét egy puha kefével vagy száraz ronggyal.
- A műanyag részek tisztításához soha ne használjon maró anyagot. Amennyiben a száraz tisztítás nem elegendő, enyhén mosogatószeres rongy használatát javasolt.
- A szerszám soha nem érintkezhet vízzel.
- A szerszámot használat előtt alaposan szárítsa meg.
- Ha lehetséges, használjon tiszta, száraz, sürtött levegőt a szellőzőnyílások áttűvítéséhez (ahol szükséges).

Kenés

- Megfelelő kenő aeroszollal rendszeres időközönként finoman kenje meg az összes mozgó alkatrészt.

Szénkefék

- Idővel a motorban (6) levő szénkefék elkophatnak.
- A túlzottan kopott szénkefék teljesítménycsökkenést, szakaszos működést vagy látható szikrázást okozhatnak.
- A szénkefék cseréjéhez távolítsa el a szénkefetartó két záródugóját (9). A kopott szénkeféket („P” kép) óvatosan távolítsa el, és ellenőrizze, hogy tartóhüvelyeik tiszták-e. Óvatosan helyezze be az új szénkeféket, majd szerelje vissza a szénkefetartó két záródugóját.
- Szerelés után járassa a felsőmarót terhelés nélkül 2-3 percig, hogy a szénkefék bekopjanak. A szénkefék tökéletes bekopása többszöri használat után történik meg. A motor továbbra is szikrázhat, míg az új szénkefék be nem kopnak.
- Másik lehetőségként ezt a műveletet végeztesse el hivatalos szervizzel.

Tárolás

- Tárolja ezt a szerszámot körültekintően, egy biztonságos, száraz, gyermekek által nem elérhető helyen.

Leselejtezés

A már nem működőképes és javíthatatlan elektromos kéziszerszámok ártalmatlanítása során mindig tartsa be a nemzeti előírásokat.

- Ne dobja ki a leselejtezett elektromos kéziszerszámot vagy egyéb elektromos és elektronikus berendezést (WEEE) a háztartási hulladékkal együtt.
- Forduljon a helyi hulladékkezelési hatóságához, hogy tájékozódjon az elektromos szerszámok ártalmatlanításának megfelelő módjáról.

Hibaelhárítás

Hibajelenség	Lehetséges ok	Megoldás
A gép nem reagál a Be/Ki kapcsoló (8) működtetésére.	Nincs tápfeszültség.	Ellenőrizze a tápfeszültséget.
	Hibás Be/Ki kapcsoló.	A hibás Be/Ki kapcsolót hivatalos Triton szervizben cseréltesse ki.
Pontatlan vágási profil.	A mélységi ütköző (3) beállítása helytelen.	Ügyeljen arra, hogy a mélységi ütköző beállítása megfelelően a torony ütközői (1) által lehetővé tett legnagyobb mértékű vágásnak.
	Helytelenül felszerelt vagy laza felsőmarófej vagy befogópatron (23).	Húzza meg a felsőmarófejet/befogópatront és a vágóegységet.
A felsőmaró nem működik.	Nincs áramellátás.	Ellenőrizze a tápellátást.
	A szénkefék kopottak vagy beragadnak.	Áramtalanítsa a készüléket, nyissa fel a szénkefetartó sapkákat (9), és győződjön meg arról, hogy a kefék nem sérültek vagy túlzottan kopottak-e.
	A BE/KI kapcsoló hibás.	A javítást egy hivatalos Triton szervizben végeztesse el.
	A motor alkatrészei zárlatosak vagy szakadás lépett fel.	
A felsőmaró túl lassú.	A marófej éleetlen vagy sérült.	Élezze újra vagy cserélje a marófejet.
	A fordulatszám-szabályozó (10) alacsony értékre van állítva.	Növelje a változatható fordulatszám beállított értékét.
	A motor túl van terhelve.	Csökkentse a felsőmaróra kifejtett nyomóerőt.
A szerszám túlságosan rázkódik.	Helytelenül felszerelt vagy laza felsőmarófej.	Szerelje be ismét vagy szorítsa meg a marófejet.
	A marófej hajlott vagy sérült.	Cserélje a marófejet.
A motorház belsejében heves szikrázás észlelhető.	A szénkefék nem mozognak szabadon.	Áramtalanítsa a gépet, távolítsa el a szénkeféket, tisztítsa meg vagy cserélje ki azokat.
	A motor sérült vagy kopott.	A javítást egy hivatalos Triton szervizben végeztesse el.
A finombeállító gomb (20) kattog vagy nem végzi el a beállítást.	A mélységgrögztítő kar (11) zárt állapotú.	Oldja a mélységgrögztítő kar zárását.
	Elérte a finombeállítás tartományának határát.	Nullázza a finombeállító gombot, majd állítsa be a mélységet a mélységi ütközővel (3).
A szerszám szokatlan hangot ad.	Mechanikai akadály.	A javítást egy hivatalos Triton szervizben végeztesse el.
	A tekerccselés sérült.	

Jótállás

A jótállás regisztrálásához látogassa meg webhelyünket a www.tritontools.com címen, és adja meg adatait. Adatai bekerülnek a levelezési listánkba (kivéve, ha ezt másképpen adja meg), és tájékoztatjuk a későbbi kiadásokról. A megadott adatokat nem bocsátjuk harmadik fél rendelkezésére.

Vásárlási nyilvántartás

Vásárlás dátuma: ___/___/___

Típus: TRA001 Őrizze meg a vásárlást igazoló nyugtát.

A Triton Precíziós Szerszámgépek garantálják vásárlóinak, hogy bármely alkatrész anyaghibából vagy gyártási hibából, a vásárlás időpontjától számított 3 éven belül bekövetkezett meghibásodása esetén, a Triton ingyenesen megjavítja - vagy alapos megfontolás esetén kicseréli – a hibás alkatrészt.

Ez a garancia nem vonatkozik ipari jellegű használatra, továbbá általános jellegű kopásra, illetve a termék nem rendeltetésszerű használatából eredő meghibásodására.

*Regisztráljon az interneten 30 napon belül.

Feltételek és kikötések vonatkoznak.

Nincs hatással a törvényben meghatározott jogaira.

EK Megfelelőségi nyilatkozat

Alulírott: Mr Darrell Morris

meghatalmazva az alábbi által: Triton Tools

Kijelentem, hogy az alábbi

Azonosító kód: 330165

Leírás: Precíziós felsőmaró kettős üzem móddal, 2400 W

kielégíti az alábbi felsorolt irányelvek és szabványok előírásait:

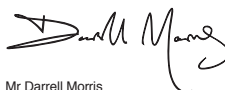
- 2006/42/EC gépészeti irányelv
- Alacsony feszültségre vonatkozó 2006/95/EC irányelv
- 2004/108/EC EMC irányelv
- 2011/65/EU RoHS irányelv
- EN60745-1:2006+A11:2010
- EN60745-2:17:2010
- EN55014-1:2006+A1+A2
- EN55014-2:1997+A1+A2
- EN61000-3-2:2006+A1+A2
- EN61000-3-3:2013

Tanúsító testület: TÜV Rheinland Co., Ltd.

A műszaki dokumentációt tárolja: Triton Tools

Dátum: 24/11/2015

Dátum:



Mr Darrell Morris

Igazgató

A gyártó neve és címe:

Powerbox International Limited, Company No. 06879059. Registered address:

Central House, Church Street, Yeovil, Somerset BA20 1HH, United Kingdom.

HU

Překlad originálního návodu

Úvod

Děkujeme za zakoupení výrobku Triton. Tento návod obsahuje nezbytné informace pro bezpečné používání a správnou funkci tohoto výrobku. Tento výrobek nabízí mnoho jedinečných funkcí. Je možné, že jste již s podobným výrobkem pracovali; přesto si důkladně přečtěte tento návod, abyste rozuměli pokynům. Ujistěte se, že všichni, kdo s výrobkem pracují, tento návod četli a porozuměli mu.

Použité symboly

Typový štítek na vašem nářadí může obsahovat symboly. Ty představují důležité informace o výrobku nebo pokyny k jeho použití.



Používejte chrániče sluchu
Používejte ochranné brýle
Používejte respirátory
Používejte ochrannou přilbu



Používejte ochranné rukavice



Přečtěte si návod



Pozor!



Varování: Ostré ostří nebo zuby!



Nepoužívejte při dešti nebo ve vlhkém prostředí!



Nářadí vždy vypojte z elektrické sítě, pokud provádíte úpravy, měníte příslušenství, čistíte, provádíte údržbu a když nářadí nepoužíváte!



Vyžaduje nebo se doporučuje odsávání prachu



Třída ochrany II (dvojitá izolace pro vyšší ochranu)



OCHRANA ŽIVOTNÍHO PROSTŘEDÍ Nevyhazujte elektronářadí do domovního odpadu. Zařízení odevzdejte k recyklaci. V případě dotazů kontaktujte příslušný úřad nebo prodejce



V souladu s příslušnou legislativou a bezpečnostními standardy.

Technická data

Model:	TRA001
Napětí:	220 – 240 V– 50 Hz
Jmenovitý příkon:	2400 W
Otáčky naprázdno:	8000 až 21000 min ⁻¹
Průměr kleštiny:	½" & 12 mm
Maximální průměr frézy:	55mm (50mm when used with WX7RT001)
Maximální velikost frézy:	½" (imperální), 12 mm (metrická)
Úprava hloubky frézování:	1) Volné vedení 2) Nastavení pomocí pomocné rukojeti 3) Jemné nastavení
Rozsah frézování:	0 – 68 mm / 0 – 2-3/4"
Krytí:	IP20
Třída ochrany:	
Délka přívodního kabelu:	3 m
Rozměry (D x Š x V):	180 x 300 x 310 mm
Hmotnost:	6 kg / 13,2 liber
Vzhledem k nepřetržitému vývoji výrobků Triton se technická data našich výrobků mohou měnit bez ohlášení.	
Informace o hluku a vibracích:	
Akustický tlak L _{PA} :	85,5 dB(A)
Akustický výkon L _{WA} :	96,5 dB(A)
Tolerance K:	3 dB
Vážená hodnota zrychlení a _v :	4,795 m/s ²
Tolerance K:	1,5 m/s ²
Pokud úroveň hluku dle použití elektronářadí překročí 85 dB(A), je třeba přijmout ochranná hluková opatření.	

VAROVÁNÍ: Pokud hladina hluku přesáhne 85 dB(A), vždy noste chrániče sluchu a omezte dobu práce s elektronářadím. Pokud se hladina hluku stane nepřijemnou, i s chrániči sluchu, ihned přestaňte nářadí používat. Zkontrolujte, zda máte chrániče sluchu správně připevněné, aby mohly poskytovat potřebné snížení hladiny hluku, které elektronářadí vydává.

VAROVÁNÍ: Vystavení se vibracím elektronářadí může způsobit ztrátu vnímání dotyku, necitlivost rukou, mravenčení a/nebo omezenou schopnost úchopu. Dlouhodobé vystavení vibracím může obilže změnit v chronický stav. Pokud je třeba, omezte čas, kdy jste vibracím vystaveni a používejte anti-vibrační rukavice. Elektronářadí nepoužívejte v prostředí s nižší než pokojovou teplotou, protože vibrace mohou mít větší efekt. Využijte hodnot uvedených v technických datech, abyste určili vhodnou délku práce a frekvenci práce s elektronářadím.

Úroveň hluku a vibrací byla změněna podle měřících metod normovaných v EN60745, příp. podobných mezinárodních standardů. Naměřené hodnoty odpovídají běžnému užití elektronářadí v běžných pracovních podmínkách. Špatně udržované, nesprávně složené nebo špatně používané nářadí může vytvářet vyšší hladiny hluku i vibrací. www.osha.europa.eu nabízí informace o úrovni hluku a vibrací v pracovním prostředí; tyto informace mohou být užitečné pro hobby uživatele, kteří používají přístroj častěji.

Bezpečnostní opatření

UPOZORNĚNÍ: Přečtete si všechna bezpečnostní varování a instrukce.

Neuposlechnutí následujících varování může způsobit úraz elektrickým proudem, požár a/nebo vážné poranění.

UPOZORNĚNÍ: Tento přístroj nesmí být používán osobami (včetně dětí) s tělesným nebo mentálním poškozením. Dále ho nesmí používat osoby s minimem zkušeností nebo znalostí.

Uchovávejte všechna varování a instrukce pro budoucí použití.

Výrazem "elektronáďadi" zmiňovaným v bezpečnostních opatřeních se rozumí zařízení používané v elektrické síti (se síťovým kabelem) nebo zařízení, které využívá bateriový pohon (bez síťového kabelu).

1. Bezpečnost pracovního místa

- Udržujte pracovní místo čisté a dobře osvětlené. Nepořádek nebo neosvětlené pracovní místo může vést k úrazům.
- Nepoužívejte elektronáďadi v prostředí ohroženém explozí, kde se nacházejí hořlavé kapaliny, plyny nebo prach. Elektronáďadi vytváří jiskry, které mohou prach nebo páry zapálit.
- Děti a jiné přihlížející osoby udržujte při použití elektronáďadi daleko od pracovního místa. Při rozplýnutí můžete ztratit kontrolu nad přístrojem.

2. Bezpečná práce s elektřinou

- Připojovací zástrčka elektronáďadi musí odpovídat zásuvce. Zástrčka nesmí být žádným způsobem upravována. Společně s elektronáďadmi s ochranným uzemněním nepoužívejte žádné adaptérové zástrčky. Neupravené zástrčky a vhodné zásuvky snižují pravděpodobnost úrazu elektrickým proudem.
- Vyhnete se tělesnému kontaktu s uzemňujícími povrchy jako je potrubí, topná tělesa, sporáky a chladičnice. Je-li vaše tělo uzemněno, hrozí zvýšené riziko úrazu elektrickým proudem.
- Chraňte zařízení před deštěm a vlhkem. Vniknutí vody do elektronáďadi zvyšuje nebezpečí úrazu elektrickým proudem.
- Dběte na účel kabelu, nepoužívejte jej k nošení či zavěšení elektronáďadi nebo k vytážení zástrčky ze zásuvky. Udržujte kabel daleko od tepla, oleje, ostrých hran nebo pohyblivých dílů stroje. Poškození nebo spletené kabely zvyšují riziko zásahu elektrickým proudem.
- Pokud pracujete s elektronáďad venku, použijte pouze takové prodlužovací kabely, které jsou způsobilé i pro venkovní použití. Použití prodlužovacího kabelu, jež je vhodný pro použití venku, snižuje riziko zásahu elektrickým proudem.
- Pokud se neteže vyhnout provozu elektronáďadi ve vlhkém prostředí, použijte proudový chránič. Použití proudového chráničce snižuje riziko zásahu elektrickým proudem.
- Pro použití v Austrálii a na Novém Zélandu doporučujeme, aby byl tento výrobek VŽDY dodáván společně s proudovým chráničcem se zbytkovým proudem 30mA nebo méně.

3. Osobní bezpečnost

- Buďte pozorní, dávejte pozor na to, co děláte, a přístupujte k práci s elektronáďadmi rozumně. Nepoužívejte žádné elektronáďadi, pokud jste unavení nebo pod vlivem drog, alkoholu nebo léků. Moment neopozornosti při použití elektronáďadi může vést k vážným poraněním.
- Noste osobní ochranné pomůcky a vždy ochranné brýle. Nošení osobních ochranných pomůcek jako je maska proti prachu, bezpečnostní obuv s protiskluzovou podrážkou, ochranná přilba nebo sluchátka, podle druhu použití elektronáďadi, snižují riziko poranění.
- Zabraňte neúmyslnému uvedení do provozu. Přesvědčte se, že je elektronáďadi vypnuté, drve, než jej uchopíte, ponešete li připojení na zdroj proudů a/nebo akumulátor. Máte-li při nošení elektronáďadi prst na spínací, nebo pokud stroj připojíte ke zdroji proudů zapnutý, může dojít k úrazům.
- Než elektronáďadi zapnete, odstraňte seřizovací nástroje nebo šroubováky. Nástroj nebo klíč, který se nachází v otáčivém dílu stroje, může vést k poranění.
- Zajistěte si bezpečný postoj a udržujte vždy rovnováhu. Tim můžete elektronáďadi v nečekávaných situacích lépe kontrolovat.
- Noste vhodný oděv. Nenoste žádný volný oděv nebo šperky. Vlasy, oděv a rukavice udržujte daleko od pohyblivých se dílů. Volný oděv, šperky nebo dlouhé vlasy mohou být zachyceny pohyblivými se díly.
- Lze-li namontovat odsávací či zachycující přístroj, přesvědčte se, že jsou připojeny a správně použity. Použití odsávacího přístroje může snížit ohrožení prachem.

4. Svědomitě zacházení a používání elektronáďadi

- Přístroj nepřetěžujte. Pro svou práci použijte k tomu určené elektronáďadi. S vhodným elektronáďadim zvládnete práci lépe a bezpečněji.
- Nepoužívejte žádné elektronáďadi, jehož spínací nebo přívodní kabel je vadný. Elektronáďadi, které nelze zapnout či vypnout, je nebezpečné a musí se opravit.
- Než provedete seřízení stroje, výměnu dílů příslušenství nebo stroj odložíte, vytáhnete zástrčku ze zásuvky a/nebo odstraňte akumulátor. Toto preventivní opatření zabrání neúmyslnému zapnutí elektronáďadi.
- Uchovávejte nepoužívané elektronáďadi mimo dosah dětí. Nenechte stroj používat osobám, které se strojem nejsou seznámeny nebo nečetly tyto pokyny. Elektronáďadi je nebezpečné, je-li používáno nezkušenými osobami.
- Pečujte o elektronáďadi svědomitě. Zkontrolujte, zda pohyblivé díly stroje bezvadně fungují a nevzpříčují se, zda díly nejsou zlomené nebo poškozené tak, že je omezena funkce elektronáďadi. Poškozené díly nechte před opětovným použitím přístroje opravit. Mnoho úrazů má příčinu ve špatně udržovaném elektronáďadi.
- Řezné nástroje udržujte ostré a čisté. Pečlivě ošetřované řezné nástroje s ostrými řeznými hranami se méně vzpříčí a snadněji se vedou.
- Používejte elektronáďadi, příslušenství, nasazovací nástroje apod. podle těchto pokynů. Respektujte přitom pracovní podmínky a prováděnou činnost. Použití elektronáďadi pro jiné než určené použití může vést k nebezpečným situacím.

5. Servis

- Nechte vaše elektronáďadi opravit pouze certifikovaným odborným personálem a pouze s originálními náhradními díly. Tim bude zajištěno, že bezpečnost stroje zůstane zachována.

Bezpečnostní upozornění pro horní frézy



- Náďadi držte za izolované rukojeti a povrchy, abyste předešli úrazu elektrickým proudem, pokud náďadím připeřete přívodní kabel nebo jiný elektrický kabel. Připeřování „živého“ kabelu může způsobit, že kovové části náďadi se také stanou „živými“ a mohou pracovníkovi způsobit úraz elektrickým proudem.
- Materiál upněte ke stabilnímu podkladu. Pokud budete materiál držet pouze rukou nebo ho opírat o tělo, může dojít ke ztrátě kontroly. Pokud budete materiál opírat o své tělo nebo držet pouze rukou, můžete nad ním ztratit kontrolu.
- Pokud je třeba vyměnit přívodní kabel, udělejte tak u výrobce nebo jeho zástupce, abyste předešli bezpečnostnímu riziku.
- Doporučujeme, aby byl tento výrobek VŽDY dodáván společně s proudovým chráničcem se zbytkovým proudem 30mA nebo méně.
 - Noste osobní ochranné pomůcky včetně ochranných brýlí/štitu, ochrany sluchu, masku proti prachu, bezpečnostní oblečení včetně rukavic
 - Kusy tkanin, síťové kabely, motouzy apod. by se neměly nacházet v místě práce
 - Síťové napětí musí souhlasit s údaji na typovém štítku elektronáďadi
 - Ujistěte se, že používané prodlužovací kabely jsou nepoškozené a mají správné napětí a maximální proud, který potřebuje váš přístroj
 - Pokud používáte prodlužovací kabel na navěsicím bubnu, kabel vždy plně vymotejte – předejete tak riziku přehřátí
 - Používejte vhodné detektory, abyste prověřili, zda se pod povrchem neskrývají kabely nebo trubky. Pokud potřebujete pomoc, kontaktujte odbornou firmu. Kontakt s elektrickým vodičem může způsobit úraz elektrickým proudem a požár. Poškození plynového potrubí může způsobit výbuch. Poškození vodovodního potrubí může vést k velkým škodám na majetku
 - Než elektronáďadi zapnete, odstraňte přípevné objekty jako hřebíky nebo šrouby z pracovní plochy
 - Se stopkovými frézami pracujte opatrně – mohou být velmi ostré
 - Před použitím zkontrolujte stopkové frézy, zda nejsou poškozeny nebo tupé. Poškozené frézy vyměňte
 - Ujistěte se, že stopkové frézy jsou dostatečně ostré a že jsou v dobrém stavu. Tupé hrany mohou způsobit ztrátu kontroly, větší produkci tepla a možné poranění
 - VŽDY používejte při práci obě ruce a pevně uchopte náďadi před tím, než začnete s náďadím pracovat
 - Rukojeti i povrch frézy udržujte suché, čisté a bez stop oleje nebo mastnoty, abyste mohli náďadi bezpečně držet při práci
 - Před tím, než začnete materiál frézovat, zapněte frézu a nechte ji krátkou chvíli běžet naprázdno. Připadné vibrace mohou upozornit na špatně upevněnou stopkovou frézu
 - Vždy si uvědomte směr rotace frézovacího nástroje a směr frézování materiálu
 - Nesahejte svými rukama do prostoru frézování a na frézovací nástroj. Druhou ruku mějte na přidávané rukojeti nebo povrchu frézy
 - NIKDY nezapínáte frézu, pokud je frézovací nástroj v kontaktu s frézovaným materiálem
 - Ujistěte se, že pružina je vždy připravená, pokud frézu používáte na ruční vedení
 - Ujistěte se, že frézovací nástroj přestal rotovat – teprve pak můžete frézu zvednout do polohy uzamčení hřídele
 - Maximální rychlost stopkové frézy musí být alespoň taková, jaká je maximální rychlost otáček náďadi
 - Stopkové frézy mohou být při práci velmi horké. Nemanipulujte s nimi bezprostředně po použití, abyste předešli riziku popálení
 - Nedovolte, aby součástky přišly do kontaktu s hořlavým materiálem
 - Frézovací nástroje nebo další příslušenství musí přesně lícovat do nástrojového držáku (upínací kleštiny) elektronáďadi. Nástroje, které přesně nelicují do nástrojového držáku elektronáďadi, se nerovnoměrně otáčejí, velmi silně vibrují a mohou vést ke ztrátě kontroly
 - Dokud se fréza otáčí, NETLAČTE na zámek vřetene ani se nesnažte přejít s frézou do módu výměny stopkové frézy
 - Při frézování udržujte trvalý kontakt s materiálem – dovolte fréze, aby si určovala rychlost frézování. NETLAČTE na náďadi a nepřetěžujte motor
 - Ujistěte se, že typové štítky na náďadi a bezpečnostní varování jsou snadno čitelná; pokud dojde k jejich poškození, nechte je vyměnit
 - Když s frézou pracujete, počkejte s možností, že dojde k uzvlnění stopkové frézy v materiálu a ztrátě kontroly nad náďadím. Frézu vždy pevně držte a okamžitě uvolněte spínací
 - Pro spuštění frézy se ujistěte, že stopková fréza správně rotuje (že se „nevinklá“) a že nevznikají žádné dodatečné vibrace, které by způsobovala špatně upevněná stopková fréza. Pokud budete pracovat s náďadím se špatně uchycenou stopkovou frézou, může dojít ke ztrátě kontroly nad náďadím a k vážnému poranění
 - VELMI opatrně pracujte s frézovacími nástroji, které mají průměr větší než 50 mm (2"). V takovém případě pracujte s malými otáčkami anebo provedte několik mělkých řezů za sebou, abyste nepřehřáli motor
 - Vždy vypněte frézu a než ji zvednete z frézovaného materiálu, počkejte, až se úplně zastaví. Frézovací nástroj se může ve frézovaném materiálu vzpříčit a vést ke ztrátě kontroly nad elektronáďadím
 - Frézu vždy vypojte ze sítě, pokud potřebujete upravit nastavení, provést opravu anebo udržbu zařízení

CZ

VAROVÁNÍ: Prach, který vzniká při používání elektronářadí, může být toxický. Některé materiály mohou být chemicky oslaveny nebo s povrchovou úpravou a proto představují nebezpečí. Některé přírodní a kompozitní materiály mohou obsahovat toxické chemikálie. Některé starší barvy mohou obsahovat olovo a jiné chemikálie. Vyhnete se delšímu působení prachu, který vzniká při používání horní frézy. NEDOVOLTE, aby se prach dostal na kůži nebo do očí, a zamezte vniknutí prachu do úst, aby se zabránilo vstřebávání škodlivých chemikálií. Tam, kde je to možné, pracujte v dobře větraném prostoru. Kde je to možné, použijte vhodnou protiprachovou masku a systém pro odsávání prachu. Pokud pracujete v prostředí, kde je vyšší četnost vystavení se prachu, je o to důležitější, aby se dodržovaly všechny bezpečnostní opatření i vyšší úroveň osobní ochrany.

Popis dílů

1. Nastavitelná hloubková záračka
2. Sklíčidlo
3. Záračka hloubky
4. Boční ventilační otvory
5. Zámek hloubkového dorazu
6. Motor
7. Odsunutelný plastový kryt spínače
8. Spínač
9. Krytka uhlíku
10. Regulace otáček
11. Zajišťovací páčka hloubky frézování
12. Bezpečnostní kryt
13. Bajonetové zajištění (2x) přidavné vodící desky
14. Bod připojení klíčky nastavení hloubky frézování
15. Port pro odsávání prachu
16. Automatický zámek hřídele
17. Spojkové kolečko otočné rukojeti
18. Přepínač spojky
19. Otočná rukojet'
20. Otočný knoflík pro jemné nastavení hloubky frézování
21. Krytka pružiny frézy
22. Doraz přidavné vodící desky
23. Upínací kleština
24. Klíčka nastavení hloubky frézování
25. Stranový klíč
26. Vodící čep s křídlovou maticí (pro frézování kruhu)
27. Přidavná vodící deska

Schéma II

- A. ¼ UNC (4x)
- B. M6 (3x)
- C. Výřez na klíčku nastavení hloubky frézování

Doporučené použití

Rukou vedená přesná horní fréza určená pro použití s až 1/2" a 12 mm stopkovými frézami (v závislosti na použité kleště). Používá se pro řezání profilů, drážek, hran a podlouhlých otvorů v přírodním dřevě i kompozitních materiálech. Je také vhodná pro použití s kopírovacími kroužky a šablonami a pro pevnou instalaci v kompatibilních systémech frézovacích stůlů.

Vybalení vašeho nářadí

- Nářadí opatrně vybalte a zkontrolujte. Seznamte se se všemi jeho vlastnostmi a funkcemi
- Ujistěte se, že v balení byly všechny díly a že jsou v pořádku. Pokud bude nějaký díl chybět nebo bude poškozen, nechejte si tyto díly vyměnit předtím, než s nářadím začnete pracovat

Před použitím

VAROVÁNÍ: Ujistěte se, že nářadí je vypnuto z elektrické sítě, než budete připojovat nebo měnit příslušenství anebo provádět úpravy nastavení.

Přípevnění kleštiny a stopkové frézy

Poznámka: Když přípevňujete nebo demontujete stopkové frézy, vždy noste ochranné rukavice kvůli ostrým hranám na stopkových frézách.

1. Frézu otočte spodní stranou nahoru na bezpečný, plochý povrch. Motor (6) musí být vypnutý a přívodní kabel vypojený ze sítě
2. Stlačte spojkové kolečko otočné rukojeti (17) a nastavte maximální hloubku zanoření tak, že budete otáčeti otočnou rukojetí (19) ve směru hodinových ručiček, dokud kleština (23) nebude vystupovat z vodící desky (obr. B)

Poznámka: Ujistěte se, že záračka hloubky (3) je plně zatažena (viz. část „Zaráčka hloubky a nastavitelná hloubková záračka“). **Matice hřídele kleštiny by měla vyčnívat, aby se k ní mohlo snadno s klíčem.**

3. Pomocí klíče (25) povolte kleštinu tím, že ji otočíte proti směru hodinových ručiček a vyjměte ji
4. Vyberte si požadovanou kleštinu a kleštinu ve směru hodinových ručiček do sklíčidla (2) nasroubujte
5. Vložte stopkovou frézu do kleštiny – ujistěte se, že alespoň 20 mm nebo polovina stopky (to, co je více) je vloženo do kleštiny. Potom použijte stranový klíč, abyste kleštinu jemně pootečli, až se stopková fréza zlehka upne. Tím uzamknete hřídel (obr. C). Poté otáčejte klíčem (21) po směru hodinových ručiček, abyste utáhli stopkovou frézu
6. Vraťte frézu do normální frézovací hloubky. Tím se odaretuje hřídel a odemkne se plastový kryt spínače, čímž se uvolní přístup ke spínači (8)

Port pro odsávání prachu

Poznámka: Triton fréza je vybavena portem pro odsávání prachu (15) pro odsávání trisek nad prováděným řezem. Do portu můžete připojit hadici s průměrem 38 mm (1 1/2"), která je součástí Triton Sběrné nádoby na piliny (DCA300).

- Hadice se upevní krouživým pohybem levé ruky (proti směru hodinových ručiček) – viz. obr. D

Další příslušenství pro odsávání prachu

- Pro účinné odsávání prachu je u Vašeho prodejce Triton k dispozici příslušenství ve formě odsávací desky, která pokrývá celou frézovanou plochu. K této desce může být připojena jakákoliv hadice s průměrem 38 mm (1 1/2") – viz. obr. E

Přidavná vodící deska a připevnění dorazu

1. Najděte dva bajonety (13) a úplně je povolte. Tím umožníte, aby mohly zapadnout do otvorů v přidavné vodící desce (27)
2. Jak přidavnou vodící desku, tak horní frézu otočte spodní stranou nahoru
3. Stlačte bajonety směrem k přidavné vodící desce, aby se odhalily jejich hlavičky
4. Hlavičky srovnajte tak, aby zapadly do otvorů v přidavné vodící desce a klouzavým pohybem je zasuňte na úzký konec otvorů (obr. K)

Poznámka: Přidavnou desku můžete k fréze připevnit s přesahem nalevo nebo napravo, podle toho, kde potřebujete podpora. Pokud frézujete okraj, kratší přesah desky by měl být nad spínačem (8).

5. Bajonety pevně utáhněte, abyste přidavnou vodící desku pevně přichytili k horní fréze
6. Pro nastavení dorazu (22) povolte aretační matici dorazu a posunujte doraz tahem za obě strany dorazu podél přidavné vodící desky (obr. L). Požadovanou polohu dorazu uzamkněte utáhnutím aretačních matic

Poznámka: Pokud frézujete drážku, která je umístěna ve větší vzdálenosti od okraje frézovaného materiálu, nastavte doraz na vzdálenějším konci přidavné vodící desky

Poznámka: Pokud frézujete okraj materiálu bez frézy s ložiskem, nastavte doraz blíže ke středě otvoru přidavné vodící desky (obr. J)

Poznámka: Pokud používáte frézovací nástroj s velkým průměrem, je třeba připevnit dřevěné špalíčky na obě strany dorazu (využijte díry na šrouby), abyste zabránili kontaktu frézovacího nástroje s dorazem.

Pokyny pro použití

VAROVÁNÍ: VŽDY noste vhodné ochranné pomůcky včetně respirátoru a chrániče sluchu, stejně jako vhodných rukavic, když s tímto nářadím pracujete.

Zapnutí a vypnutí

Poznámka: Je-li fréza zapojená do sítě, spínač (8) je podsvícený (jak v pozici „zapnuto“, tak v pozici „vypnuto“).

Poznámka: Plastový kryt spínače (7) zabráňuje neúmyslnému spuštění frézy. Tento kryt je třeba odsunout, aby bylo možné frézu pustit. Kryt zůstane zasunutý, dokud přístroj nevynechte.

1. Ujistěte se, že fréza je v nejvyšší možné pozici a že stopková fréza se nedostane do kontaktu s žádnými cizími objekty, když bude fréza spuštěna
2. Přívodní kabel zapojte do elektrické sítě a odsuňte plastový kryt spínače, abyste se dostali ke spínači
3. Zatlačte spínač do polohy „I“, abyste frézu spustili. Dokud je spínač v poloze zapnuto, kryt spínače není možné zasunout
4. Pro vypnutí frézy zatlačte spínač do polohy „O“. Kryt spínače se vrátí zpět (překryje spínač)

Variabilní rychlost otáček

Poznámka: Nastavení rychlosti frézování není přesně stanoven – obecně platí. Ze byste měli používat nejvyšší možnou rychlost, při které se ještě netvoří spálené plochy. Pokud máte frézovací nástroj, kde je uvedena maximální rychlost otáček, vždy postupujte dle pokynů výrobce tohoto nástroje.

• Pokud používáte frézu při nižších rychlostech otáček, zvyšujete riziko poškození frézy v důsledku přetížení. Pokud potřebujete používat frézu při nižších rychlostech, frézujte v menších dávkách a/nebo provádějte více mělkých řezů za sebou

- Regulace otáček (10) má hodnoty 1 až 5, které přibližně odpovídají rychlostem otáček a průměrem fréz (viz. tabulka níže). Otáčejte kolečkem, abyste zvolili vhodnou rychlost otáček

nastavení	otáčky/min	průměr frézovacího nástroje
5	21000	do 25 mm (1")
4	18000	25-50 mm (1" - 2")
3	14500	50-65 mm (2" - 2½")
2	11000	nad 65 mm (2½")
1	8000	používejte pouze pokud dochází k pálení frézovaného materiálu

Nastavení hloubky frézování

Poznámka: Abyste uzamkli páčku v určité hloubce frézování, zatlačte na frézu směrem dolů a otočte zajišťovací páčku hloubky frézování (11) do nižší pozice. Tím frézu udržíte v určené hloubce

- Pro nastavení hloubky frézování můžete použít tři způsoby dle požadované přesnosti a kontroly nástroje:

Volné vedení

- Volné nastavení hloubky frézování můžete provést se zamáčknutým přepínačem spojky (18). Zatlačte přepínač dovnitř rukojeti, dokud se nezacvakne (obrázek A)
- Uvolněte zajišťovací páčku hloubky frézování (11) a stlačte frézu do požadované hloubky frézování. Zajistěte zajišťovací páčku pro uzamčení frézy

Nastavení otočné rukojeti

- Hloubka frézování může být měněna otáčením otočné rukojeti (19)
- Vymáčkněte přepínač spojky (18) a zkontrolujte, zda je v jedné rovině s pomocnou rukojetí
- Abyste pomocnou rukojetí uvolnili, stlačte spojkové kolečko pomocné rukojeti (17) směrem dovnitř (obr. B)
- Povolte páčku hloubky frézování (11) a pak otočte rukojetí, dokud nedosáhnete požadované hloubky frézování. Spojkové kolečko pusťte a zajistěte páčku hloubky frézování

Jemné Nastavení

Poznámka: Pouze pro použití v nastaveném modu otočné rukojeti (19).

- Uvolněte přepínač spojky (18) a ujistěte se, že zajišťovací páčka hloubky frézování (11) je uvolněná.

Poznámka: Pokud otáčíte otočným knoflíkem pro jemné nastavení hloubky frézování (20), když je zajišťovací páčka uzamknutá, otočný kolík bude vydávat cvakavé zvuky a hloubka frézování se nezmění.

- Otáčejte knoflíkem (20) po směru hodinových ručiček, abyste dosáhli větší hloubky frézování, nebo proti směru pro snížení hloubky frézování

Poznámka: Jakmile dosáhnete největší možné hloubky frézování, otočný knoflík bude klást odpor a začne cvakat.

- Zajistěte zajišťovací páčku pro uzamčení frézy v požadované hloubce, především při frézování s větším záběrem

Zarážka hloubky a nastavitelná hloubková zarážka

- Zarážka hloubky (3) a nastavitelná hloubková zarážka (1) umožňují přesné přednastavení až tří odlišných hloubek frézování

- Povolte zámek hloubkového dorazu (5) a plně vysuňte zarážku hloubky (3), poté utáhněte (obr. F)

- Nastavte hloubkovou zarážku v požadované hloubce pomocí měřítka na pevné hloubkové zarážce (obr. G)

Poznámka: Pro změnu hloubkové zarážky jednoduše pootočte celou skupinou zářezek tak, aby jedna z nich byla pod zarážkou hloubky

Do sklídlička (23) vložte vhodnou stopkovou frézu a nastavte hloubku frézování - dokud se špička stopkové frézy nedotkne opracovávaného materiálu.

- Pootočte nastavitelnou hloubkovou zarážkou (1) tak, aby část s měřítkem byla pod tyčkou hloubkového dorazu. Uvolněte zarážku, aby se zastavila o zarážku; pak zámek hloubkového dorazu utáhněte. Tím je hloubka ponoru frézy nastavená na nule

- Pootočte nastavitelnou hloubkovou zarážkou tak, aby požadovaná nastavená hloubka na zarážce byla přesně pod zarážkou hloubky

Volitelné příslušenství – sada kopírovacích kroužků

Pro frézování dle předlohy jsou k dispozici různé kopírovací kroužky. Sada je k dispozici u vašeho prodejce Triton.

Frézování

Poznámka: NIKDY nepracujte s frézou při ručním vedení bez nějaké formy opěry. Opěru vám může například poskytnout stopková fréza s ložiskem, doraz, který je součástí této frézy, kopírovací kroužky nebo rovný okraj (obr. I)

- Frézu VŽDY držte při práci pevně oběma rukama a za rukojeti, které jsou k tomu určené. Ujistěte se, že frézovaný materiál se nepohybuje. Kdekoliv je to možné, použijte svěrky
- S frézováním počkejte, dokud motor nedosáhne plné rychlosti
- Přiblížte stopkovou frézu k materiálu, zatímco horní frézu pomalu pohybujete. Vodicí desku držte vodorovně s povrchem materiálu

- Pokud frézujete okraje, frézování materiálu by mělo probíhat na levé straně vzhledem ke směru frézování (obr. I). Udržujte konstantní tlak a ponechte stopkovou frézu, aby se zpracovávala materiálu. Mějte na paměti, že suky a jiné vady zpomalí rychlost frézování

Poznámka: Abyste přešli „dřmčení“ stopkové frézy, při vnějších řezech směřujte frézou proti směru hodinových ručiček, při vnitřních řezech po směru hodinových ručiček.

Poznámka: Pokud budete s frézou pohybovat příliš rychle, můžete získat špatnou kvalitu povrchu a přehřát motor. Pokud budete s frézou pohybovat příliš pomalu, materiál se bude přehřívát.

Poznámka: Při běžném provozu stlačte frézu směrem k materiálu poté, co frézu spustíte.

Poznámka: Nepracujte s frézou kluznou deskou nahoru, pokud není bezpečně uchycena ve frézovacím stole (např. značky Triton).

Frézování ve více krocích

- Nastavitelná hloubková zarážka (1) umožňuje nastavení maximální možné hloubky frézování v takovém počtu kroků, jaký si pracovník přeje. Pro každý krok je třeba nastavit hloubku pomocí otočného kolečka na hloubkovou zarážku
- Pootočte hloubkovou zarážkou tak, aby zarážka hloubky byla přesně nad nejvyšší nastavenou hloubkou frézování. Nyní může provést první frézování
- Pokračujte v postupném frézování – vždy otočte hloubkovou zarážkou a přenastavte hloubku pro každý krok, dokud nedosáhnete požadované hloubky frézování

Frézování kruhu

- Připevňte přídavnou desku (27) bez dorazu (22) k fréze
 - Vystroubte plastový vodič čep (26) z přídavné desky a připevněte ho do středu frézovaného materiálu, např. pomocí malého hřebku nebo vrutu jednou z děr ve vodičím čepu (obr. M). Hřebík/vrut ponechte v čepu
 - Stlačte frézu s přídavnou přídavnou deskou, držák v desce nasaďte na šroub, nasuňte podložku a utáhněte křídlovou matici (obr. N)
 - Frézu nezapínejte; opíste s frézou kruh, abyste zkontrolovali, zda poloměr odpovídá požadovanému frézování a uchytení čepu je stabilní, příp. proveďte úpravu nastavení
 - Kruh vyfrézujte v několika krocích, při každém snížíte hloubku frézování přibližně o 2 mm ($1/16$) – obr. T. Nefrézujte celou hloubku v jednom kroku
- Frézování v plné hloubce (přes celý materiál): pokud budete frézovat v plné hloubce, upevněte pod frézovaný materiál pomocnou desku. Vyfrézujte o něco větší kruh – až profrézujete celý materiál, snížíte průměr a vyfrézujete požadovanou velikost – ubrejte po svých kouscích v plné hloubce

Použití při upnutí do stolu

VAROVÁNÍ: Pokud používáte frézu ve frézovacím nástavci WX7RT001 k Triton Pracovnímu centru, maximální možný průměr stopkové frézy je 50 mm. Je to dáno technickými parametry Pracovního centra.

Poznámka: Pokud používáte frézu ve frézovacím stole, vždy postupujte dle návodu k tomuto frézovacímu stolu

Poznámka: Tento přístroj je navržen tak, aby efektivně a pohodlně pracoval ve většině frézovacích stolů, ale nejvhodnější pro něj je frézovací stůl Triton RTA300 a TWX7RT001.

Poznámka: Nastavení frézy je velmi snadné díky využití jedinečných vlastností tohoto výrobku, jak bylo popsáno výše. Viz „Připevnění křesťiny a stopkové frézy“ a „Nastavení hloubky frézování“.

Poznámka: Pružina MUSÍ být odstraněna předtím, než frézu upnevníte do frézovacího stolu:

- Nastavte frézu tak, aby byla v nejvyšší poloze a zajistěte zajišťovací páčku hloubky frézování (11)
- Povolte malý šroub umístěný vedle krytky pružiny (21)
- Krytku pružiny pevně držte, aby pružina nevyskočila, až krytku uvolníte; krytkou pootočte proti směru hodinových ručiček, abyste ji uvolnili (obr. O)
- Odstaňte pružinu a uložte ji na bezpečné místo
- Nasaďte krytku a utáhněte šroub

Poznámka: Ujistěte se, že jste pružinu nasadili zpět, než začnete s frézou pracovat při ručním vedení

Přístup k otvorům se závity na vodičí desce

- Abyste mohli frézu upnout do frézovacího stolu jiného výrobce nebo do stolu vaší vlastní výroby, odšroubujte 4 šrouby na vodičí desce (jak je ukázáno na obr. Q) a desku odstraňte

- Jak je vidět na schématu II, jsou k dispozici 2 sady otvorů se závity pro šrouby. Na desce jsou čtyři $1/4$ " UNC (unifikované palcové závity) (A), které jsou určeny pro přichycení vodičí desky i přichycení frézy do stolu. Dále jsou i dispozici tři otvory s M6 závity (B)

Poznámka: M6 závity nejsou na dřívějších verzích horní frézy TRA001.

Příslušenství

- U vašeho prodejce Triton je k dispozici řada příslušenství pro toto nářadí, včetně řady stopkových fréz. U vašeho prodejce Triton nebo na www.toolspareonline.com také naleznete náhradní díly jako jsou uhlíky, kopírovací kroužky nebo křesťiny

Údržba

VAROVÁNÍ: Vždy odpojte přístroj ze sítě, než začnete nářadí čistit či opravovat.

CZ

Běžná kontrola

- Pravidelně kontrolujte, že všechny šrouby jsou pevně utažené
- Kontrolujte přívodní kabel před každým použitím – zda není poškozen nebo opotřebovaný. Výměnu síťového kabelu je oprávněno dělat certifikované servisní středisko. To se týká také prodlužovacích kabelů, které s tímto nářadím používáte

Čištění

- **VAROVÁNÍ:** VŽDY noste ochranné pracovní pomůcky včetně ochranných brýlí a rukavic, pokud čistíte toto nářadí
- Udržujte elektronářadí vždy v čistotě. Špína a prach způsobí dřívější opotřebení součástí a zkracují životnost celého zařízení
- Tělo zařízení čistěte jemným kartáčem nebo suchým hadříkem
- Nikdy nepoužívejte agresivní prostředky k čištění plastových dílů. Pokud je čištění nedostatečné, doporučuje se použít saponát na vlhké utěrce
- Voda nesmí nikdy přijít do kontaktu s tímto nářadím
- Ujistěte se, že nářadí je před použitím dostatečně vysušeno
- Pokud je to možné, používejte čistý, stlačený proud suchého vzduchu, kterým profouknete ventilační otvory (kde je to vhodné)

Promazávání

- V pravidelných intervalech promazávejte všechny pohybující se části vhodným lubrikantem ve spreji

Výměna uhlíků

- Během času může dojít k opotřebování uhlíků uvnitř motoru
- Výrazné opotřebované uhlíky mohou způsobit ztrátu výkonu, občasně selhání nebo viditelné jiskření
- Pro výměnu uhlíků odsroubujte obě krytky uhlíku (9). Uhlíky vyjměte a zkontrolujte, zda je prostor čistý. Nasaďte nové uhlíky a nasaďte krytky uhlíku
- Po výměně uhlíků nechte frézu běžet 2-3 minuty bez zátěže, aby se uhlíky

Použití při upnutí do stolu

VAROVÁNÍ: Pokud používáte frézu ve frézovacím nástavci WX7RT001 k Triton Pracovnímu centru, maximální možný průměr stopkové frézy je 50 mm. Je to dáno technickými parametry Pracovního centra.

Poznámka: Pokud používáte frézu ve frézovacím stole, vždy postupujte dle návodu k tomuto frézovacímu stolu

Poznámka: Tento přístroj je navržen tak, aby efektivně a pohodlně pracoval ve většině frézovacích stolů, ale nejvhodnější pro něj je frézovací stůl Triton RTA300 a TWX7RT001.

Poznámka: Nastavení frézy je velmi snadné díky využití jedinečných vlastností tohoto výrobku, jak bylo popsáno výše. Viz „Přípevnění kleštiny a stopkové frézy“ a „Nastavení hloubky frézování“.

Poznámka: Pružina MUSÍ být odstraněna předtím, než frézu upevníte do frézovacího stolu:

1. Nastavte frézu tak, aby byla v nejvyšší poloze a zajistěte zajišťovací páčku hloubky frézování (11)
2. Povolte malý šroub umístěný vedle krytky pružiny (21)
3. Krytku pružiny pevně držte, aby pružina nevyskočila, až krytku uvolníte; krytkou pootočte proti směru hodinových ručiček, abyste ji uvolnili (obr. O)
4. Odstraňte pružinu a uložte ji na bezpečné místo
5. Nasaďte krytku a utáhněte šroub

Poznámka: Ujistěte se, že jste pružinu nasadili zpět, než začnete s frézou pracovat při ručním vedení

Přístup k otvorům se závitý na vodicí desce

1. Abyste mohli frézu upnout do frézovacího stolu jiného výrobce nebo do stolu vaší vlastní výroby, odsroubujte 4 šrouby na vodicí desce (jak je ukázáno na obr. Q) a desku odstraňte
2. Jak je vidět na schématu II, jsou k dispozici 2 sady otvorů se závitý pro šrouby. Na desce jsou čtyři ¼" UNC (unifikované palcové závitý) (A), které jsou určeny pro přichycení vodicí desky i přichycení frézy do stolu. Dále jsou k dispozici tři otvory s M6 závitý (B)

Poznámka: M6 závitý nejsou na dřívějších verzích horní frézy TRA001.

Příslušenství

- U vašeho prodejce Triton je k dispozici řada příslušenství pro toto nářadí, včetně řady stopkových fréz. U vašeho prodejce Triton nebo na www.toolsareonline.com také naleznete náhradní díly jako jsou uhlíky, kopírovací kroužky nebo kleštiny

Údržba

⚠ **VAROVÁNÍ:** Vždy odpojte přístroj ze síťe, než začnete nářadí čistit či opravovat.

Běžná kontrola

- Pravidelně kontrolujte, že všechny šrouby jsou pevně utažené
- Kontrolujte přívodní kabel před každým použitím – zda není poškozen nebo opotřebovaný. Výměnu síťového kabelu je oprávněno dělat certifikované servisní středisko. To se týká také prodlužovacích kabelů, které s tímto nářadím používáte

Čištění

⚠ **VAROVÁNÍ:** VŽDY noste ochranné pracovní pomůcky včetně ochranných brýlí a rukavic, pokud čistíte toto nářadí

- Udržujte elektronářadí vždy v čistotě. Špína a prach způsobí dřívější opotřebení součástí a zkracují životnost celého zařízení
- Tělo zařízení čistěte jemným kartáčem nebo suchým hadříkem
- Nikdy nepoužívejte agresivní prostředky k čištění plastových dílů. Pokud je čištění nedostatečné, doporučuje se použít saponát na vlhké utěrce
- Voda nesmí nikdy přijít do kontaktu s tímto nářadím
- Ujistěte se, že nářadí je před použitím dostatečně vysušeno
- Pokud je to možné, používejte čistý, stlačený proud suchého vzduchu, kterým profouknete ventilační otvory (kde je to vhodné)

Promazávání

- V pravidelných intervalech promazávejte všechny pohybující se části vhodným lubrikantem ve spreji

Výměna uhlíků

- Během času může dojít k opotřebování uhlíků uvnitř motoru
- Výrazné opotřebované uhlíky mohou způsobit ztrátu výkonu, občasně selhání nebo viditelné jiskření
- Pro výměnu uhlíků odsroubujte obě krytky uhlíku (9). Uhlíky vyjměte a zkontrolujte, zda je prostor čistý. Nasaďte nové uhlíky a nasaďte krytky uhlíku
- Po výměně uhlíků nechte frézu běžet 2-3 minuty bez zátěže, aby se uhlíky správně usadily. Je možné, že bude třeba opakovaného použití, než se uhlíky správně usadí. Motor může jiskřit, dokud uhlíky nejsou správně usazeny
- Uhlíky si také můžete nechat vyměnit v certifikovaných servisních střediscích Triton

Skladování

- Toto nářadí skladujte na zabezpečeném, suchém místě mimo dosah dětí

Likvidace

Elektronářadí, které již nefunguje a není možné ho opravit, zlikvidujte v souladu s legislativou dané země.

- Nevyhazujte elektronářadí a elektroodpad do domovního odpadu
- V případě dotazů kontaktujte příslušný úřad

Řešení problémů

Problém	Možná příčina	Řešení
Po zapnutí spínače (8) se nic neděje	Nářadí není zapojeno v elektrické síti	Zkontrolujte přívod elektrické energie
	Vadný spínač	Nechejte si vyměnit spínač v certifikovaném servisním středisku
Nesprávný řezný profil	Zarážka hloubky (3) není správně nastavena	Ujistěte se, že zarážka hloubky odpovídá maximálnímu množství řezů vzhledem k hloubkové zarážce (1)
	Nesprávně přichycená nebo volná stopková fréza/kleština (23)	Utáhněte stopkovou frézu/kleštinu
Fréza nepracuje	Do přístroje nejde elektrický proud	Zkontrolujte zapojení do sítě a dodávku elektřiny.
	Opožděvané uhlíky	Přístroj vypojte ze sítě, odšroubujte krytky uhlíků (9) a ujistěte se, že uhlíky se v držácích volně pohybují. Zkontrolujte, zda uhlíky nepotřebují vyměnit - viz. část "Výměna uhlíků"
	Spínač nefunguje	Na www.tritontools.com najděte nejbližší certifikované servisní středisko
	Zkratovaný motor	
Fréza pracuje pomalu	Tupý nebo zničený frézovací nástroj	Naostřete nebo vyměňte frézovací nástroj
	Otáčky (10) jsou nízké	Zvyšte otáčky
	Motor je přetížen	Snižte tlak na frézu
Vibrace jsou příliš silné	Nesprávně přichycený nebo volný frézovací nástroj	Správně připevňte nebo utáhněte frézovací nástroj
	Opožděvaný nebo zničený frézovací nástroj	Vyměňte frézovací nástroj
U motoru jsou vidět jiskry	Uhlíky se nemohou volně pohybovat	Přístroj vypojte ze sítě, vyjměte uhlíky, vyměňte je nebo vyčistěte
	Poškozený nebo opožděvaný motor	Na www.tritontools.com najděte nejbližší certifikované servisní středisko
Otočný knoflík (20) "kliká" nebo nefunguje	Zajištěná zajišťovací páčka hloubky frézování (11)	Uvolněte zajišťovací páčku hloubky frézování
	Dosáhli jste konce nastavení hloubky	Nastavte otočný knoflík a nastavte hloubku pomocí zarážky hloubky (3)
Fréza vydává neobvyklý zvuk	Mechanická překážka	Na www.tritontools.com najděte nejbližší certifikované servisní středisko
	Zkrat vinutí rotoru	

Záruka

Pro registraci záruky navštivte naše webové stránky www.tritontools.com a zadejte informace o výrobku. Vaše údaje budou uloženy (pokud tuto možnost nezažádáte) a budou vám zasílány novinky. Vaše údaje neposkytneme žádné třetí straně.

Záznam o nákupu

Datum pořízení: ___ / ___ / ___

Model: TRA001

Kupní doklad uschovejte jako potvrzení zakoupení výrobku

Pokud se během 3-leté ode dne nákupu objeví závada výrobku společnosti Triton Precision Power Tools, která byla způsobena vadou materiálu nebo vadným zpracováním, Triton opraví nebo vymění vadný díl zdarma.

Tato záruka se nevztahuje na výrobky, které budou používány pro komerční účely, a dále na poškození, které je způsobeno neodborným použitím nebo mechanickým poškozením výrobku.

* Registrujte se během 30 dní od nákupu.

Změna podmínek vyhrazena.

Těmito podmínkami nejsou dotčena vaše zákonná práva.

CE Prohlášení o shodě

Níže podepsaný: pan Darrell Morris

zplnomocněný: Triton Tools

prohlašuje, že

Výrobek číslo: 330165

Popis: Přesná horní fréza, 2400 W

Byl uveden na trh ve shodě se základními požadavky a příslušnými ustanoveními následujících směrnic:

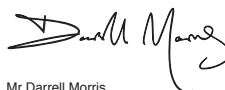
- Směrnice o bezpečnosti strojních zařízení 2006/42/EC
- Směrnice o technických požadavcích na výrobky z hlediska nízkého napětí 2006/95/EC
- Směrnice o technických požadavcích na výrobky z hlediska jejich elektromagnetické kompatibility 2004/108/EC
- Směrnice RoHS 2011/65/EU
- EN 60745-1:2009+A11:2010
- EN 60745-2-4:2009
- EN 55014-1:2006+A1:2009+A2:2011
- EN 55014-2:1997+A1:2001+A2:2008
- EN 61000-3-2:2006+A1:2009+A2:2009
- EN 61000-3-3:2008

Notifikovaná osoba: TÜV Rheinland Co., Ltd.

Technická dokumentace je uložena u: Triton Tools

Datum: 24/11/2015

Podpis:



Mr Darrell Morris

Výkonný ředitel

Jméno a adresa výrobce:

Powerbox International Limited, Company No. 06897059, Registrovaná adresa: Central House, Church Street, Yeovil, Somerset BA20 1HH, United Kingdom.

CZ

Preklad originálneho návodu

Úvod

Ďakujeme za zakúpenie výrobku Triton. tento manuál obsahuje informácie nutné k bezpečnému používaniu a správne fungovaniu tohto výrobku. Tento výrobok ponúka mnoho jedinečných funkcií. Je možné, že ste už s podobným výrobkom pracovali, napriek tomu si však prečítajte tento manuál, aby ste naplno pochopili všetky inštrukcie. Uistite sa, že každý, kto s výrobkom pracuje, si tento manuál prečítal a porozumel mu.

Použitie symboly

Typový štítok na vašom náradí môže obsahovať symboly. Tie predstavujú dôležité informácie o výrobku alebo pokyny na jeho použitie.



Používajte chrániče sluchu
Používajte ochranné okuliare
Používajte respirátory
Používajte ochranu hlavy



Používajte ochranné rukavice



Prečítajte si návod



Pozor!



Varovanie: Ostré ostrie alebo zuby!



Nepoužívajte v daždi alebo vo vlhkom prostredí!



Náradie vždy vypojte z elektrickej siete, ak vykonávate úpravy, meníte príslušenstvo, čistíte, vykonávate údržbu a keď náradie nepoužívate!



Vyžaduje alebo sa odporúča odsávanie prachu



Trieda ochrany II (dvojitá izolácia pre väčšiu ochranu)



Ochrana životného prostredia. Nevyhadzujte elektronáradie do domového odpadu. Zariadenie odovzdajte na recykláciu. V prípade otázok kontaktujte príslušný úrad alebo predajcu.



V súlade s príslušnou legislatívou a bezpečnostnými štandardmi.

Technické informácie

Model:	TRA001
Napätie:	220 – 240 V~ 50 Hz
Menovitý príkon:	2400 W
Otáčky naprázdno:	8000 až 21000 min ⁻¹
Priemer klieštiny:	½" & 12 mm
Maximálny priemer frézy:	55 mm (50 mm, ak frézu používate s WX7RT001)
Maximálna veľkosť frézy:	½" (imperálna), 12mm (metrická)
Úprava hĺbky frézovania:	1) Voľné vedenie 2) Nastavenie pomocou pomocných rukoväte 3) Jemné nastavenie
Rozsah frézovania:	0 – 68 mm / 0 – 2 ⁻² /32"
Krytie:	IP20
Trieda ochrany:	
Dĺžka prívodného kábla:	3 m
Rozmery (D x Š x V):	180 x 300 x 310 mm
Hmotnosť:	6 kg / 13,2 lbier
Vzhľadom na nepretržitý vývoj výrobkov Triton, sa technické informácie našich výrobkov môžu meniť bez ohľadovania.	
Informácie o hluku a vibráciách:	
Akustický tlak L _{PA} :	85,5 dB(A)
Akustický výkon L _{WA} :	96,5 dB(A)
Tolerancia K:	3 dB
Vážená hodnota zrýchlenia a _w :	4,795 m/s ²
Tolerancia K:	1,5 m/s ²
Pokiaľ úroveň hluku podľa použitého elektronáradia prekročí 85 dB(A), je treba prijať ochranné protihlukové opatrenia.	

VAROVANIE: Ak hladina hluku presiahne 85 dB(A), vždy noste chrániče sluchu a obmedzte dobu práce s elektronáradím. Pokiaľ sa hladina hluku stane nepríjemnou aj s chráničmi sluchu, ihneď prestaňte náradie používať. Skontrolujte, či máte chrániče sluchu správne pripevnené, aby mohli poskytovať potrebné zníženie hladiny hluku, ktoré elektronáradie vydáva.

VAROVANIE: Vystavenie sa vibráciám elektronáradia môže spôsobiť stratu pozornosti, nečistivosť rúk, mravčenie a/alebo obmedzenú schopnosť úchopu. Dlhodobé vystavenie sa vibráciám môže tieto problémy zmeniť na chronický stav. Ak je treba, obmedzte čas, kedy ste vibráciám vystavení a používajte anti-vibračné rukavice. Elektronáradie nepoužívajte v prostredí s teplotou nižšou než je izbová teplota, pretože vibrácie môžu mať väčší efekt. Využite hodnoty uvedené v technických informáciách, aby ste určili vhodnú dobu práce a frekvenciu práce s elektronáradím.

Úroveň hluku a vibrácií bola zmerať podľa meracích metód normovaných v EN60745, príp. podobných medzinárodných štandardov. Namerané hodnoty zodpovedajú bežnému používaniu elektronáradia v bežných pracovných podmienkach. Nevhodne udržiavané, nesprávne zložené alebo nesprávne používané náradie môže vytvárať vyššie hladiny hluku a vibrácií. www.osha.europa.eu ponúka informácie o úrovni hluku a vibrácií v pracovnom prostredí; tieto informácie môžu byť užitočné pre hobby používateľov, ktorí používajú prístroj častejšie.

Bezpečnostní opatření

UPOZORNĚNÍ: Přečtete si všechna bezpečnostní varování a instrukce.

Neuposlechutí následujících varování může způsobit úraz elektrickým proudem, požár a/nebo vážné poranění.

UPOZORNĚNÍ: Tento přístroj nesmí být používán osobami (včetně dětí) s tělesným nebo mentálním poškozením. Dále ho nesmí používat osoby s minimem zkušeností nebo znalostí.

Uchovejte všechna varování a instrukce pro budoucí použití.

Výrazem "elektronádi" zmiňovaných v bezpečnostních opatřeních se rozumí zařízení používané v elektrické síti (se síťovým kabelem) anebo zařízení, které využívá bateriový pohon (bez síťového kabelu).

1. Bezpečnost pracovního místa

- Udržujte pracovní místo čisté a dobře osvětlené.** Neporiadok alebo neosvetlené pracovné miesto môže viesť k úrazom.
- Nepoužívajte elektronádie v prostredí kde hrozí výbuch, kde sa nachádzajú horľavé kvapaliny, plyny alebo prach.** Elektronádie vytvára iskry, ktoré môžu prach alebo výpar zapáliť.
- Deti a iné príhľadajúce osoby udržujte pri používaní elektronádia ďaleko od pracovného mesta.** Pri rozptýlení môžete stratiť kontrolu nad prístrojom.

2. Bezpečná práca s elektrinou

- Pripojovacia zástrčka elektronádia musí zodpovedať zásuvke.** Zástrčka nesmie byť žiadnym spôsobom upravená. Pri používaní elektronádia s ochranným uzemnením nepoužívajte žiadne adaptérové zástrčky. Neupravené zástrčky a vhodné zásuvky znižujú pravdepodobnosť úrazu elektrickým prúdom.
- Vyhýbajte sa napätému kontaktu s uzemnenými povrchmi ako je potrubie, vykurovacie telesá, sporáky a chladničky.** Ak je vaše telo uzemnené, hrozí zvýšené riziko úrazu elektrickým prúdom.
- Chráňte zariadenie pred dažďom a vlhkom.** Vniknutie vody do elektronádia zvyšuje nebezpečenstvo úrazu elektrickým prúdom.
- Dbajte na úhel kábla, nepoužívajte ho na nosenie či vŕšanie elektronádia alebo na vytiahnutie zástrčky zo zásuvky.** Udržujte kábel ďaleko od tepla, oleja, ostrých hran alebo pohyblivých dielov stroja. Poškodené alebo zamotané káble zvyšujú riziko zásahu elektrickým prúdom.
- Pokiaľ pracujete s elektronádiom vonku, použite jediné také predizolovacie káble, ktoré sú usposobené aj pre vonkajšie použitie.** Použitie predizolovacieho kábla, ktorý je vhodný na použitie vonku, znižuje riziko zásahu elektrickým prúdom.
- Pokiaľ sa nedá vyhnúť použitiu elektronádia vo vlhkom prostredí, použite prúdový chránič.** Použitie prúdového chrániča znižuje riziko zásahu elektrickým prúdom.
- Pre použitie v Austrálii a na Novom Zélande odporúčame, aby bol tento výrobok VZDY dodávaný spoločne s prúdovým chráničom so zvyšovacím prúdom 30mA alebo menej.**

3. Osobná bezpečnosť

- buďte pozorní, dávajte pozor na to, čo robíte a pristupujte k práci s elektronádiom rozumne.** Pokiaľ ste unavení, pod vplyvom drog, alkoholu alebo liekov, elektronádie nepoužívajte. Moment nepozornosti pri použití elektronádia môže viesť k vážnym poraneniam.
- Noste osobné ochranné pomôcky a vzhľad ochranné okuliare.** Nosenie osobných ochranných pomôcok ako je maska proti prachu, bezpečnostná obuv s protišmykovou podrážkou, ochranná prilba alebo sluchádká podľa druhu použitého elektronádia znižuje riziko poranenia.
- Zabráňte neúmyselnému uvedeniu zariadenia do prevádzky.** Presvedčte sa, či je elektronádie vypnuté skôr, než ho uchoptíte, poniesite či pripojíte k zdroju prúdu alebo akumulátoru. Ak máte pri nesení elektronádia prst na spínači, alebo pokiaľ stroj pripojíte k zdroju prúdu s už zapnutým vypínačom, môže dôjsť k úrazom.
- Než elektronádie zapnete, odstráňte nastavovacie nástroje alebo skrútkovače.** Nástroj alebo kľúč, ktorý sa nachádza v ošacovom diely stroja, môže viesť k poraneniu.
- Zaistite si bezpečný postoj a vždy udržujte rovnováhu.** Tým môžete elektronádie v neočakávaných situáciách lepšie kontrolovať.
- Noste vhodný odev.** Nenoste žiadny voľný odev alebo šperky. Vlasy, odev a rukavice udržujte ďaleko od pohyblivých sa dielov. Voľný odev, šperky alebo dlhé vlasy môžu byť zachytené pohyblivými sa dielmi.
- Ak je možné namontovať odsáviac či zachytávajúce zariadenia, presvedčte sa, že sú pripojené a správne používané.** Použitie odsávania prachu môže znížiť ohrozenia spôsobené prachom.

4. Svedomité zaobchádzanie a používanie elektronádia

- Prístroj nepreťažujte.** Na prácu, ktorú vykonávate, použite na to určené elektronádie. S vhodným elektronádiom zvládnete prácu lepšie a bezpečnejšie.
- Nepoužívajte elektronádie, ktorého spínač alebo privodný kábel je chýbný.** Elektronádie, ktoré sa nedá zapnúť či vypnúť, je nebezpečné a musí sa opraviť.
- Kým vykonáte zostavenie stroja, výmenu dielov príslušenstva alebo stroj odložte, vytiahnite zástrčku zo zásuvky a/nebo odstráňte akumulátor.** Toto preventívne opatrenie zabráni neúmyselnému zapnutiu elektronádia.
- Nepoužívajte elektronádie uchovávať mimo dosah detí.** Stroj nedovoľte používať osobám, ktoré so strojom nie sú oboznámené alebo nečítali tieto pokyny. Elektronádie je nebezpečné, ak je používané nesúvislými osobami.
- Svedomite sa o elektronádie starajte.** Skontrolujte, či pohyblivé diely stroja fungujú bezchybne a nie sú vzpriehené, či diely nie sú zlomené alebo poškodené tak, že je obmedzená funkcia elektronádia. Poškodené diely nechajte pred opakovaným použitím prístroja opraviť. Mnoho úrazov je zapríčinených zlou údržbou elektronádia.
- Rezné nástroje udržujte ostré a čisté.** Riziko vzpriehnenia správne ošetrovaných rezných nástrojov s ostrými reznými hranami je menšie a takto ošetrované nástroje sa ľahšie vedú.
- Používajte elektronádie, príslušenstvo, nasadovacie nástroje a pod. podľa týchto pokynov.** Rešpektujte pritom pracovné podmienky a vykonávanú činnosť. Používanie elektronádia na iné než určené použitie, môže viesť k nebezpečným situáciám.

5. Servis

- Svoje elektronádie nechávejte opraviť výhradne certifikovanými odbornými personálom za použitia výhradne originálnych náhradných dielov. Tým bude zaistené, že bezpečnosť stroja zostane zachovaná.**

Bezpečnostné opatrenia pre ponorné frézy



- **Náradie držte za izolované rukoväti a povrchy, aby ste predišli úrazu elektrickým prúdom, ak náradím prerazíte privodný kábel alebo iný elektrický kábel.** Prerazenie "živého" kábla môže spôsobiť, že kovové časti náradia sa tiež stanú "živými" a môžu pracovníkovi spôsobiť úraz elektrickým prúdom.
- **Materiál upnite k stabilnému podkladu.** Ak budete materiál držať len rukou alebo ho opierať o telo, môže dôjsť k strate kontroly. Ak budete materiál opierať o svoje telo alebo držať iba rukou, môžete nad ním stratiť kontrolu.
- **Ak je potrebné vymeniť elektrický kábel, urobte tak u výrobcu alebo jeho zástupcu, aby ste predišli bezpečnostnému riziku.**
- **Odporúčame, aby bol tento výrobok VZDY dodávaný spoločne s prúdovým chráničom so zvyšovacím prúdom 30mA alebo menej.**
- a) **Noste osobné ochranné pomôcky vrátane ochranných okuliarov/ochranného štítu, ochrany sluchu, masku proti prachu, bezpečnostné obliečenie vrátane rukavíc**
- b) **Kusy tkanín, sieťové káble, motýly a pod. by sa nemali nachádzať na mieste práce**
- c) **Sieťové napätie musí súhlasiť s údajmi na typovom štítke elektronádia**
- d) **Uistite sa, že používané predizolovacie káble nie sú poškodené, majú správne napätie a maximálny prúd, ktorý potrebuje váš prístroj**
- e) **Pokiaľ používate predizolovacie kábel na navijacom bubne, kábel vždy úplne vymotajte - predídete tak riziku prehratia**
- f) **Používajte vhodné detektory, aby ste preverili, či sa pod povrchom neskrývajú káble alebo rúrky.** Ak potrebujete pomoc, kontaktujte odbornú firmu. Kontakt s elektrickým vodičom môže spôsobiť úraz elektrickým prúdom a požiar. Poškodenie plynového potrubia môže spôsobiť výbuch. Poškodenie vodovodného potrubia môže viesť k veľkým škodám na majetku
- g) **Než elektronádie zapnete, odstráňte z pracovnej plochy pripevnené objekty ako kľince alebo skrútky**
- h) **So stopkovými frézami pracujte opatrne – môžu byť veľmi ostré**
- i) **Pred použitím skontrolujte, či nie sú stopkové frézy poškodené alebo tupé.** Poškodené frézy vymeňte
- j) **Uistite sa, že stopkové frézy sú dostatočne ostré a že sú v dobrom stave.** Tupé hrany môžu spôsobiť stratu kontroly, väčšiu produkciu tepla a možné poranenie
- k) **VZDY používajte pri práci obe ruky a pevne uchopte náradie pred tým, ako začnete s náradím pracovať**
- l) **Rukoväť aj povrch frézy udržujte suché, čisté a bez stop oleja alebo masťoty, aby ste mohli náradie bezpečne držať pri práci**
- m) **Préd tým, než začnete materiál frézovať, zapnite frézu a nechajte ju chvíľu bežať naprázdno.** Prípadné vibrácie môžu upozorniť na nesprávne upevnenie stopkovej frézy
- n) **Vždy si uvedomte smer rotácie frézovacieho nástroja a smer frézovania materiálu**
- o) **Nesiahajte svojimi rukami do priestoru frézovania a na frézovací nástroj.** Druhú ruku majte na prídavnej rukoväti alebo povrchu frézy
- p) **NIKDY nezapínajte frézu, pokiaľ je frézovací nástroj v kontakte s frézovaným materiálom**
- q) **Uistite sa, že pružina je vždy pripevnená, ak frézu používate na ručné vedenie**
- r) **Uistite sa, že frézovací nástroj prestal rotovať - až potom môžete frézu zdvihnúť do polohy uzamknutia hriadeľa**
- s) **Maximálna rýchlosť stopkovej frézy musí byť aspoň taká, aká je maximálna rýchlosť otáčok náradia**
- t) **Stopkové frézy môžu byť pri práci veľmi horúce.** Nemanipulujte s nimi bezprostredne po použití, aby ste predišli riziku popálenia
- u) **Nedovoľte, aby súčiastky prišli do kontaktu s horľavým materiálom**
- v) **Frézovacie nástroje alebo ďalšie príslušenstvo musí presne lícovať do nástrojového držiaku (upínací kľesňový) elektronádia. Nástroje, ktoré presne nelicujú do nástrojového držiaku elektronádia, sa otáčajú nerovnomerne, veľmi silno vibrujú a môžu viesť ku strate kontroly**
- w) **Kým sa fréza otáča, NETLAČTE na zámok vretena ani sa nesnažte prejsť s frézou do módu výmeny stopkovej frézy**
- x) **Pri frézovaní udržiavajte trvalý kontakt s materiálom - dovoľte fréze, aby si určovala rýchlosť frézovania.** Netlačte na náradie a nepreťažujte motor
- y) **Uistite sa, že typové štítky na náradíu a bezpečnostné varovania sú ľahko čitateľné; ak dôjde k ich poškodeniu, nechajte ich vymeniť**
- z) **Keď s frézou pracujete, počítajte sa možnosťou, že dôjde k uzavriutiu stopkovej frézy v materiáli a strate kontroly nad náradím.** Frézu vždy pevne držte a okamžite uvoľnite spínač
- **Po spustení frézy sa uistite, že stopková fréza správne rotuje (že sa "nekýve") a že nevznikajú žiadne dodatočné vibrácie, ktoré by spôsobovala zle upevnená stopková fréza.** Ak budete pracovať s náradím sa zle uchytýnu stopkovou frézou, môže dôjsť k strate kontroly nad náradím a vážnemu poraneniu
- **S frézovacími nástrojmi, ktoré majú priemer väčší než 50 mm (2"), pracujte VEĽMI OPATRNĚ.** V takom prípade pracujte s malými otáčkami alebo vykonajte niekoľko plytkých rezov za sebou, aby ste nepriahli motor
- **Frézu vždy vypnite a kým ju zdvíhnete z frézovaného materiálu, počkajte, až sa úplne zastaví.** Frézovací nástroj sa môže vo frézovanom materiáli vzpriehť a viesť tak ku strate kontroly nad elektronádiom
- **Ak potrebujete upraviť nastavenie, vykonať opravu alebo údržbu zariadenia, frézu vždy vypojte zo siete**

SK

VAROVANIE: Prach, ktorý vzniká pri používaní elektrického náradia, môže byť toxický. Niektoré materiály môžu byť chemicky ošetrované alebo s povrchovou úpravou a preto predstavujú nebezpečenstvo. Niektoré prírodné a kompozitné materiály môžu obsahovať toxické chemikálie. Niektoré staršie farby môžu obsahovať olovo a iné chemikálie. Vyhnite sa dlhšiemu pôsobeniu prachu, ktorý vzniká pri používaní hornej frézy. NEDOVOLTE, aby sa prach dostal na kožu alebo do očí, a zamedzte vniknutiu prachu do úst, aby sa zabránilo vstrebávaniu škodlivých chemikálií. Tam, kde je to možné, pracujte v dobre vetranom priestore. Kde je to možné, použite vhodnú protiprachovú masku a systém pre odsávanie prachu. Ak pracujete v prostredí, kde je vyššia frekvencia vystavenia sa prachu, je o to dôležitejšie, aby sa dodržiavali všetky bezpečnostné opatrenia aj vyššiu úroveň osobnej ochrany.

Popis dielov

- Nastaviteľná hĺbková zarážka
- Sklúvadlo
- Zarážka hĺbky
- Bočné ventilačné otvory
- Zámok hĺbkového dorazu
- Motor
- Odsávací plastový kryt spínača
- Spínač
- Krytka uhlíka
- Regulácia otáčok
- Zaisťovacia páčka hĺbky frézovania
- Bezpečnostný kryt
- Bajonetové zaistenie (2x) prídavné vodiace dosky
- Bod pripojenia kľučky nastavenie hĺbky frézovania
- Port pre odsávanie prachu
- Automatický zámok hriadeľa
- Spojkové koliesko otočné rukoväte
- Prepínač spojky
- Otočná rukoväť
- Otočný gombík pre jemné nastavenie hĺbky frézovania
- Krytka pružiny frézy
- Doraz prídavné vodiace dosky
- Upínacia klieština
- Kľučka nastavenie hĺbky frézovania
- Stranový kľúč
- Vodiaci čap s krídlovou maticou (pre frézovanie kruhu)
- Prídavná vodiaca doska

Schéma II

- A. ¼ UNC (4x)
B. M6 (3x)
C. Výrez na kľučku nastavenie hĺbky frézovania

Odporúčané použitie

Rukou vedená presná horná fréza určená pre použitie s až ½" a 12 mm stopkovými frézami (v závislosti na použitej klieštine). Používa sa pre rezanie profilov, drážok, hrán a podlhovastých otvorov v prírodnom dreve i kompozitných materiáloch. Je tiež vhodná pre použitie s kopirovacími kružkami a šablónami a pre pevnú inštaláciu v kompatibilných systémoch frézovacích stolov.

Vybalenie vášho náradia

- Náradie opatrne vybaľte a skontrolujte. Oboznámte sa so všetkými jeho vlastnosťami a funkciami.
- Uistite sa, že v balení boli všetky diely a že sú v poriadku. Pokiaľ by niektorý diel chýbal alebo bol poškodený, nechajte si tento diel vymeniť pred tým, než s náradím začnete pracovať.

Pred použitím

VAROVANIE: Uistite sa, že náradie je vypnuté z elektrickej siete, než budete pripájať alebo meniť príslušenstvo alebo vykonávať úpravy nastavenia.

Pripevnenie klieštiny a stopková fréza

Poznámka: Keď pripieňujete alebo demontujete stopkovú frézu, vždy noste ochranné rukavice kvôli ostrým hranám na stopkových frézach.

- Frézu otočte spodnou stranou nahor na bezpečný, plochý povrch. Motor (6) musí byť vypnutý a prívodný kábel vypojený zo siete
- Stlačte spojkové koliesko otočnej rukoväte (17) a nastavte maximálnu hĺbku zaradenia tak, že budete otáčať otočnú rukoväťou (19) v smere hodinových ručičiek, kým klieština (23) nebude vystupovať z vodiacej dosky (obr. B)
- Poznámka:** Uistite sa, že zarážka hĺbky (3) je plne zatiahnutá (pozri časť "Zarážka hĺbky a nastaviteľná hĺbková zarážka"). Matica hriadele klieštiny by mala vyčnievať, aby sa k nej mohlo fahko s kľúčom.
- Pomocou kľúča (25) povoľte klieštinu tým, že ju otočíte proti smeru hodinových ručičiek a vyberete ju
- Vyberte si požadovanú klieštinu a klieštinu v smere hodinových ručičiek do sklúvadla (2) nasťukajte
- Vložte stopkovú frézu do klieštiny - uistite sa, že aspoň 20 mm alebo polovica spojky (to, čo je viac) je vložené do klieštiny. Potom použite stranový kľúč, aby ste klieštinu jemne pootočili, až sa stopková fréza zľahka upne. Tým uzamknete hriadeľ

(obr. C). Potom otáčajte kľúčom (21) v smere hodinových ručičiek, aby ste utiahli stopkovú frézu

- Vráťte frézu do normálnej frézovacej hĺbky. Tým sa odarujete hriadeľ a odomkne sa plastový kryt spínača, čím sa uvoľní prístup k spínaču (8)

Port pre odsávanie prachu

Poznámka: Triton fréza je vybavená portom pre odsávanie prachu (15) pre odsávanie triesok nad vykonávaným rezom. Do portu môžete pripojiť hadicu s priemerom 38 mm (1½"), ktorá je súčasťou Triton Zbernej nádoby na piliny (DCA300).

- Hadica sa upnevi krúživým pohybom ľavej ruky (proti smeru hodinových ručičiek) - viď. obr. D

Ďalšie príslušenstvo pre odsávanie prachu

- Na účinné odsávanie prachu je u Vášho predajcu Triton k dispozícii príslušenstvo vo forme odsávacie dosky, ktorá pokrýva celú frézovanú plochu. K tejto doske môže byť pripojená akákoľvek hadica s priemerom 38 mm (1½") - viď. obr. E

Prídavná vodiaca doska aripevnenie dorazu

- Nájdite dva bajonety (13) a úplne ich povoľte. Tým umožníte, aby mohli zapadnúť do otvorov v prídavnej vodiacej doske (27)
- Ako prídavnú vodiacu dosku, tak hornú frézu otočte spodnou stranou nahor
- Stlačte bajonety smerom k prídavnej vodiacej doske, aby sa odhalili ich hlavičky
- Hlavičky zarovnať tak, aby zapadli do otvorov v prídavnej vodiacej doske a klzovým pohybom ich zasunúť do úzky koniec otvorov (obr. K)

Poznámka: Prídavnú dosku môžete k fréze pripievať s presahom nad alebo napravo, podľa toho, kde potrebujete podporu. Ak frézuje okraj, kratšie presah dosky by mal byť nad spínačom (8).

- Bajonety pevne utiahnite, aby ste prídavnú vodiacu dosku pevne prichytili k hornej fréze
- Pre nastavenie dorazu (22) povoľte aretačné matice dorazu a posúvajte doraz ľahom za obe hrany dorazu pozdĺž prídavné vodiace dosky (obr. L). Požadovanú polohu dorazu uzamknite utiahnutím aretačných matíc

Poznámka: Ak frézuje drážku, ktorá je umiestnená vo väčšej vzdialenosti od okraja frézovaného materiálu, nastavte doraz na vzdialenejšom konci prídavné vodiace dosky

Poznámka: Ak frézuje okraj materiálu bez frézy s ložiskom, nastavte doraz bližšie k stredu otvoru prídavné vodiace dosky (obr. J)

Poznámka: Ak používate frézovací nástroj s veľkým priemerom, je potrebné pripievať drevené kolíky na obe strany doraze (využite diery na skrutky), aby ste zabránili kontaktu frézovacieho nástroja s dorazom.

Pokyny pre použitie

VAROVANIE: VŽDY noste vhodné ochranné pomôcky vrátane respirátora a chráničov sluchu, rovnako ako vhodných rukavíc, keď s týmto náradím pracujete.

Zapnutie a vypnutie

Poznámka: Ak je fréza zapojená do siete, spínač (8) je podsvietený (ak v pozícii "zapnuté", tak v pozícii "vypnuté").

Poznámka: Plastový kryt spínača (7) zabraňuje neúmyselnému spusteniu frézy. Tento kryt je potrebné odsunúť, aby bolo možné frézu pustiť. Kryt zostane zasunutý, kým prístroj nevyhnete.

- Uistite sa, že fréza je v najvyššej možnej pozícii a že stopková fréza sa nedostane do kontaktu so žiadnymi cudzími objektmi, keď bude fréza spustená
- Prívodný kábel zapojte do elektrickej siete a odsuňte plastový kryt spínača, aby ste sa dostali ku spínaču
- Zatlačte spínač do polohy "I", aby ste frézu spustili. Kým je spínač v polohe zapnuté, kryt spínača nie je možné zasunúť
- Pre vypnutie frézy zatlačte spínač do polohy "O". Kryt spínača sa vráti späť (prekryje spínač)

Variabilná rýchlosť otáčok

Poznámka: Nastavenie rýchlosti frézovania nie je presne stanovené - všeobecne platí, že by ste mali používať najvyššiu možnú rýchlosť, pri ktorej sa ešte netvorí spálené plochy. Ak máte frézovací nástroj, kde je uvedená maximálna rýchlosť otáčok, vždy postupujte podľa pokynov výrobcu tohto nástroja.

- Ak používate frézu pri nižších rýchlostiach otáčok, zvyšujete riziko poškodenia frézy v dôsledku preťaženia. Ak potrebujete používať frézu pri nižších rýchlostiach, frézujte v menších dávkach a / alebo robte viac plytkých rezov za sebou
- Regulácia otáčok (10) má hodnoty 1 až 5, ktoré približne zodpovedajú rýchlostiam otáčok a priemerom fréz (pozri. tabuľku nižšie). Otáčajte kolieskom, aby ste zvolili vhodnú rýchlosť otáčok

nastavenie	otáčky/min	priemer frézovacieho nástroja
5	21000	do 25 mm (1")
4	18000	25-50 mm (1" - 2")
3	14500	50-65 mm (2" - 2½")
2	11000	nad 65 mm (2½")
1	8000	používajte iba ak dochádza k páleniu frézovaného materiálu

Nastavenie hĺbky frézovania

Poznámka: Aby ste uzamkli frézu v určitej hĺbke frézovania, zatlačte na frézu smerom nadol a otočte zaisťovaciu páčku hĺbky frézovania (11) do nižšej pozície. Tým frézu udržíte v určenej hĺbke

- Pre nastavenie hĺbky frézovania môžete použiť tri spôsoby podľa požadovanej presnosti a kontroly nástroja:

Voľné vedenie

1. Voľné nastavenie hĺbky frézovania môžete vykonať so zamáknutým prepínačom spojky (18). Zatlačte prepínač dovnútra rukoväti, kým sa nezacvakne (obrázok A)
2. Uvoľnite zaisťovaciu páčku hĺbky frézovania (11) a stlačte frézu do požadovanej hĺbky frézovania. Zaisťte zaisťovaciu páčku na uzamknutie frézy

Nastavenie otočnej rukoväte

1. Hĺbka frézovania môže byť menená otáčaním pomocnej rukoväte (19)
2. Vyzmýkajte prepínač spojky (18) a skontrolujte, či je v jednej rovine s pomocnou rukoväťou
3. Aby ste pomocnú rukoväť uvoľnili, stlačte spojkové kolesko pomocnej rukoväte (17) smerom dovnútra (obr. B)
4. Povoľte páčku hĺbky frézovania (11) a potom otáčajte rukoväťou, kým nedosiahnete požadovanej hĺbky frézovania. Spojkové kolesko pusťte a zaisťte páčku hĺbky frézovania

Jemné nastavenie

Poznámka: Len pre použitie v nastavenom móde otočnej rukoväte (19).

1. Uvoľnite prepínač spojky (18) a uistite sa, že zaisťovacia páčka hĺbky frézovania (11) je uvoľnená.
- Poznámka:** Ak otáčate otočným gombíkom pre jemné nastavenie hĺbky frézovania (20), keď je zaisťovacia páčka uzamknutá, otočný čaša bude vydávať cvakavé zvuky a hĺbka frézovania sa nezmení.
2. Otáčajte gombíkom (20) v smere hodinových ručičiek, aby ste dosiahli väčšej hĺbky frézovania, alebo proti smeru pre zníženie hĺbky frézovania
- Poznámka:** Akonáhle dosiahnete najväčšie možné hĺbky frézovania, otočný gombík bude vydávať odpor a začne cvakať.
3. Zaisťte zaisťovaciu páčku pre uzamknutie frézy v požadovanej hĺbke, predovšetkým pri frézovaní s väčším záberom

Zarážka hĺbky a nastaviteľná hĺbková zarážka

1. Zarážka hĺbky (3) a nastaviteľná hĺbková zarážka (1) umožňujú presné prednastavenie až troch odlišných hĺbok frézovania
 2. Povoľte zámok hĺbkového dorazu (5) a plne vysuňte zarážku hĺbky (3), potom utiahnite (obr. F)
 3. Nastavte hĺbkovú zarážku v požadovanej hĺbke pomocou mierky na pevnej hĺbkovej zarážke (obr. G)
- Poznámka:** Na zmenu hĺbkovej zarážky jednoducho pootočte celou skupinou zarážok tak, aby sa jedna z nich bola pod zarážkou hĺbky
1. Pootočte nastaviteľnou hĺbkovou zarážkou (1) tak, aby časť s meradlom bola pod tyčkou hĺbkového dorazu. Uvoľnite zarážku, aby sa zastavila o zarážku; potom zámok hĺbkového dorazu utiahnite. Tým je hĺbka ponoru frézy nastavená na nulu
 2. Pootočte nastaviteľnou hĺbkovou zarážkou tak, aby požadovaná nastavená hĺbka na zarážke bola presne pod zarážkou hĺbky

Voľiteľné príslušenstvo - sada kopírovacích krúžkov

Pre frézovanie podľa predhloh sú k dispozícii rôzne kopírovacie krúžky. Sada je k dispozícii u vášho predajcu Triton.

Frézovanie

Poznámka: NIKDY nepracujte s frézou pri ručnom vedení bez nejakej formy opory. Vzperu vám môže napríklad poskytnúť stopková fréza s ložiskom, doraz, ktorý je súčasťou tejto frézy, kopírovacie krúžky alebo rovny okraj (obr. I)

1. Frézu VŽDY držte pri práci pevne oboma rukami a za rukoväť, ktoré sú na to určené. Uistite sa, že frézovaný materiál sa nepohybuje. Kdekoľvek je to možné, použite zvierky
2. S frézovaním počkajte, kým motor nedosiahne plnej rýchlosti
3. Priblížte stopkovou frézou k materiálu, zatiaľ čo horná frézou pomaly pohybujete. Vodiacu dosku držte vodorovne s povrchom materiálu
4. Ak frézujete okraje, frézovanie materiálú by malo prebiehať na ľavej strane vzhľadom k smeru frézovania (obr. I). Udržujte konštantný tlak a ponechajte stopkovou frézou, aby sa prepracovávala materiálom. Majte na pamäti, že hrče a iné chyby spomali rýchlosť frézovania

Poznámka: Aby ste predišli "drnčaniu" stopkovej frézy, pri vonkajších rezoch smerujte rez proti smeru hodinových ručičiek, pri vnútorných rezoch v smere hodinových ručičiek.

Poznámka: Ak budete s frézou pohybovať príliš rýchlo, môžete získať zlé kvalitu povrchu a prehriať motor. Ak budete s frézou pohybovať príliš pomaly, materiál sa bude prehrievať.

Poznámka: Pri bežnej prevádzke stlačte frézu smerom k materiálu potom, čo frézu spustíte.

Poznámka: Nepracujte s frézou kľzou doskou hore, pokiaľ nie je bezpečne uchytaná vo frézovacom stole (napr. značky Triton).

Frézovanie vo viacerých krokoch

1. Nastaviteľná hĺbková zarážka (1) umožní nastavenie maximálnej novej hĺbky frézovania v takom počte krokov, aký si pracovník želá. Pre každý krok je potrebné nastaviť hĺbku pomocou otočného koleska na hĺbkovej zarážke
2. Pootočte hĺbkovú zarážku tak, aby zarážka hĺbky bola presne nad najnižšiu nastavenú hĺbkou frézovania. Teraz môže vykonať prvú frézovanie
3. Pokračujte v postupnom frézovaní - vždy otočte hĺbkovú zarážku a prenasťte hĺbku pre každý krok, kým nedosiahnete požadovanej hĺbky frézovania

Frézovanie kruhu

1. Pripevnite prídavnú dosku (27) bez dorazu (22) k fréze
 2. Vyskrutkujte plastový vodiaci čap (26) z prídavnej dosky a pripevnite ho do stredu frézovaného materiálu, napr. pomocou malého klinca alebo vrtu jednou z dier vodiacim čapom (obr. M). Klinec/vrtu ponechajte v čape
 3. Stlačte frézu s pripevnenou prídavnou doskou, drážku v doske nasadíte na skrutku, nasuňte podložku a utiahnite kridlovú maticu (obr. N)
 4. Frézu nezapínajte; opíšte s frézou kruh, aby ste skontrolovali, či polomer zodpovedá požadovanému frézovaniu a uchytenie čapu je stabilné, príp. vykonajte úpravu nastavenia
 5. Kruh vyfrézujte v niekoľkých krokoch, pri každom znížení hĺbky frézovania približne o 2 mm (1/13 ") - obr. T. Nefrézujte celú hĺbku v jednom kruhu
- Frézovanie v plnej hĺbke (cez celý materiál): ak budete frézovať v plnej hĺbke, upevnite pod frézovaný materiál pomocou dosky. Vyfrézujte o niečo väčší kruh - až profézujete celý materiál, znížte priemer a vyfrézujte požadovanú veľkosť - uberajte po malých kúskoch v plnej hĺbke

Použitie pri upnutí do stola

VAROVANIE: Ak používate frézu vo frézovacom nadstavci WX7RT001 k Triton Pracovnému centru, maximálny možný priemer stopkovej frézy je 50 mm. Je to dané technickými parametrami Pracovného centra.

Poznámka: Ak používate frézu vo frézovacom stole, vždy postupujte podľa návodu k tomuto frézovaciemu stolu

Poznámka: Tento prístroj je navrhnutý tak, aby efektívne a pohodlne pracoval vo väčšine frézovacích stolov, ale najvhodnejšie pre neho je frézovací stól Triton RTA300 a WX7RT001

Poznámka: Nastavenie frézy je veľmi jednoduché vďaka využitiu jedinečných vlastností tohto výrobcu, ako bolo popísané vyššie. Vid. „Pripravenie klieštiny a stopkovej frézy“ a „Nastavenie hĺbky frézovania“.

Poznámka: Pružina MUSÍ byť odstránená predtým, než frézu upevníte do frézovacieho stola:

1. Nastavte frézu tak, aby bola v najvyššej polohe a zaisťte zaisťovaciu páčku hĺbky frézovania (11)
2. Povoľte malý skrutku umiestnený vedľa krytky pružiny (21)
3. Krytku pružiny pevne držte, aby pružina nevyskočila, až krytku uvoľníte; krytkou pootočte proti smeru hodinových ručičiek, aby ste ju uvoľnili (obr. O)
4. Odstráňte pružinu a uložte ju na bezpečné miesto
5. Nasadte krytku a utiahnite skrutku

Poznámka: Uistite sa, že ste pružinu nasadili späť, než začnete s frézou pracovať pri ručnom vedení

Prístup k otvorom so závitmi na vodiacej doske

1. Aby ste mohli frézu upnúť do frézovacieho stola iného výrobcu alebo do stola vašej vlastnej výroby, odskrutkujte 4 skrutky na vodiacej doske (ako je ukázané na obr. Q) a dosku odstráňte
2. Ako je vidieť na schéme II, sú k dispozícii 2 sady otvorov so závitmi pre skrutky. Na doske sú štyri 1/4" UNC (unifikované palcové závit) (A), ktoré sú určené pre prichytenie vodiacej dosky aj prichytenie frézy do stola. Ďalej sú k dispozícii tri otvory s M6 závitmi (B)

Poznámka: M6 závit nie sú na predchádzajúcich verzách hornej frézy TRA001.

Príslušenstvo

- U vášho predajcu Triton je k dispozícii rad príslušenstva pre toto náradie, vrátane radu stopkových fréz. U vášho predajcu Triton alebo na www.toolspareonline.com tiež nájdete náhradné diely ako sú uhliky, kopírovacie krúžky alebo klieštiny

Údržba

VAROVANIE: Vždy odpojte prístroj zo siete, ako začnete náradia čistiť či opravovať.

Bežná kontrola

- Pravidelne kontrolujte, že všetky skrutky sú pevne utiahnuté
- Kontrolujte prívodný kábel pred každým použitím - či nie je poškodený alebo opotrebovaný. Výmenu sieťového kábla je oprávnené robiť certifikované servisné stredisko. To sa týka tiež predlžovacích káblov, ktoré s týmto náradím používate

Čistenie

VAROVANIE: VŽDY noste ochranné pracovné pomôcky vrátane ochranných okuliarov a rukavíc, ak čistíte toto náradie

- Udržujte elektronáradie vždy v čistote. Špina a prach spôsobí skoršie opotrebenie súčiastok a skracujú životnosť celého zariadenia
- Telo náradie čistite jemnou kefou alebo suchou handričkou
- Nikdy nepoužívajte agresívne prostriedky na čistenie plastových dielov. Ak je čistenie nedostatočné, odporúča sa použiť saponát na vlhké utierke

SK

- Voda nesmie nikdy prísť do kontaktu s týmito náradím
- Uistite sa, že náradie je pred použitím dostatočne vysušené
- Ak je to možné, používajte čistý, stlačený prúd suchého vzduchu, ktorým vyfúknete ventilačné otvory (kde je to vhodné)

Premazávanie

- V pravidelných intervaloch premazávajte všetky pohybujúce sa časti vhodným lubrikantom v spreji

Výmena uhlíkov

- Počas času môže dôjsť k opotrebovaniu uhlíkov vnútri motora
- Výrazne opotrebované uhlíky môžu spôsobiť stratu výkonu, občasné zlyhanie alebo viditeľné iskrenie
- Pre výmenu uhlíkov odskrutkujte obe krytky uhlíka (9). Uhlíky vytiahnite a skontrolujte, či je priestor čistý. Nasaďte nové uhlíky a nasajte krytky uhlíka
- Po výmene uhlíkov nechajte frézu bežať 2-3 minúty bez záťaže, aby sa uhlíky správne usadili. Je možné, že bude treba opakovaného použitia, ako sa uhlíky správne usadí. Motor môže iskriť, kým uhlíky nie sú správne usadené
- Uhlíky si tiež môžete nechať vymeniť v certifikovaných servisných strediskách Triton

Skladovanie

- Toto náradie skladujte na bezpečnom, suchom mieste mimo dosahu detí

Likvidácia

Elektronáradie, ktoré už nefunguje a nie je možné ho opraviť, zlikvidujte v súlade s legislatívou danej krajiny.

- Nevyhadzujte elektronáradie a elektroodpad do domového odpadu.
- V prípade otázok kontaktujte príslušný úrad

Riešenie problémov

Problém	Možná príčina	Riešenie
Po zapnutí spínača (8) sa nič nedeje	Náradie nie je zapojené v elektrickej sieti	Skontrolujte prívod elektrickej energie
	Chybný spínač	Nechajte si vymeniť spínač v certifikovanom servisnom stredisku
Nesprávny rezný profil	Zarážka hlčky (3) nie je správne nastavená	Uistite sa, že zarážka hlčky zodpovedá maximálnemu množstvu rezov vzhľadom k hlčkovej zarážke (1)
	Nesprávne prichytená alebo voľná stopková fréza / klieština (23)	Utiahnite stopkovou frézu / klieštinu
Fréza nepracuje	Do prístroja nejde elektrický prúd	Skontrolujte zapojenie do siete a dodávať elektriny.
	Opotrebované uhliky	Prístroj vypojte zo siete, odskrutkujte krytky uhlikov (9) a uistite sa, že uhliky sa v držiakoch voľne pohybujú. Skontrolujte, či uhliky nepotrebuju vymeniť - vid'. Časť "Výmena uhlikov"
	Spínač nepracuje	Na www.tritontools.com nájdite najbližšie certifikované servisné stredisko
	Skratovaný motor	
Fréza pracuje pomaly	Tupý alebo zničený frézovací nástroj	Naostrite alebo vymeňte frézovací nástroj
	Otáčky (10) sú nízke	Zvýšte otáčky
	Motor je preťažený	Znížte tlak na frézu
Vibrácie sú príliš silné	Nesprávne prichytený alebo voľný frézovací nástroj	Správne pripievňte alebo utiahnite frézovací nástroj
	Opotrebovaný alebo zničený frézovací nástroj	Vymeňte frézovací nástroj
Pri motore sú vidieť iskry	Uhliky sa nemôžu voľne pohybovať	Prístroj vypojte zo siete, vyberte uhliky, vymeňte ich alebo vyčistite
	Poškodený alebo opotrebovaný motor	Na www.tritontools.com nájdite najbližšie certifikované servisné stredisko
Otočný gombík (20) "klika" alebo nefunguje	Zaisťovaná zaisťovacia páčka hlčky frézovania (11)	Uvoľnite zaisťovaciu páčku hlčky frézovania
	Dosiahli ste konca nastavenie hlčky	Nastavte otočný gombík a nastavte hlčku pomocou zarážky hlčky (3)
Fréza vydáva neobvyklý zvuk	mechanická prekážka	Na www.tritontools.com nájdite najbližšie certifikované servisné stredisko
	Skrat vinutia rotora	

Záruka

Na registráciu záruky navštívte naše webové stránky www.tritontools.com* a zadajte informácie o výrobku. Vaše údaje budú uložené (pokiaľ túto možnosť nezakážete) a budú vám zasielané novinky. Vaše údaje nebudú poskytnuté žiadnej tretej strane.

Záznam o nákupe

Dátum obstarania: ___/___/___
Model: TRA001

Doklad o kúpe uschovajte ako potvrdenie o zakúpení výrobku.

Pokiaľ sa během 3-ročnã odo dňa nákupu objaví porucha výrobku spoločnosti Triton Precision Power Tools, ktorá bola spôsobená chybou materiálu alebo chybným spracovaním, Triton opraví alebo vymení chybný diel zadarmo.

Tato záruka sa nevzťahuje na výrobky, ktoré budú používané na komerčné účely, a ďalej na poškodenie, ktoré je spôsobené neodborným použitím alebo mechanickým poškodením výrobku.

* Registrejte sa během 30 dní od nákupu. Zmena podmienok vyhradená. Týmto podmienkami nie sú dotknuté vaše zákonné práva.es

CE Prehlásenie o zhode

Dolu podpísaný: p. Darrell Morris

splnomocnený: Triton Tools

prehlasuje, že

Výrobok číslo: 330165

Popis: Presná hornã fréza, 2400 W

Bol uvedený na trh v súlade so základnými požiadavkami a príslušnými ustanoveniami nasledujúcich smerníc:

- Smernica o bezpečnosti strojních zariadení 2006/42/EC
- Smernica o technických požiadavkách na výrobky z hľadiska nízkeho napätia 2006/95/EC
- Smernica o technických požiadavkách na výrobky z hľadiska ich elektromagnetickej kompatibility 2004/108/EC
- Smernica RoHS 2011/65/EU
- EN 60745-1:2009+A11:2010
- EN 60745-2-4:2009
- EN 55014-1:2006+A1:2009+A2:2011
- EN 55014-2:1997+A1:2001+A2:2008
- EN 61000-3-2:2006+A1:2009+A2:2009
- EN 61000-3-3:2008

Notifikovaná osoba: TÜV Rheinland Co., Ltd.

Technická dokumentácia je uloženã u: Triton Tools

Dátum: 24/11/2015

Podpis:



Mr Darrell Morris

Výkonný riaditeľ

Meno a adresa výrobcu:

Powerbox International Limited, Company No. 06897059. Registrovanã adresa: Central House, Church Street, Yeovil, Somerset BA20 1HH, United Kingdom.

SK

Orijinal talimatların çevirisi

Giriş

Bu TRITON el aletini satın aldığınız için teşekkür ederiz. Bu el kitabında bu ürünü güvenli ve yararlı şekilde kullanmak için gereken bilgiler bulunmaktadır. Bu ürünün kendine özgü özellikleri vardır ve benzer ürünleri yakından tanıyor olsanız bile talimatları tamamen anlayabilmeniz için bu el kitabını dikkatle okumanız gerekir. Bu el aletini kullanan herkesin bu el kitabını okuyup iyice öğrenmesini sağlayınız.

Sembollerin açıklaması

El aletinizdeki künrede semboller bulunabilir. Bunlarda ürün hakkındaki önemli bilgileri veya kullanımı ile ilgili talimatları temsil eder.



Kulak koruyucu kullanın
Göz koruyucu kullanın
Solunum koruyucu kullanın
Kafa koruyucu kullanın



El koruyucu kullanın



Talimat el kitabını okuyun



Dikkat!



Uyarı: Keskin bıçaklar veya dişler!



Yağmurda veya nemli ortamlarda KULLANMAYIN!



Ayar yaparken, aksesuar değiştirirken, temizlerken, bakım yaparken ve kullanımı dışında olduğu zaman daima güç kaynağından ayırın!



Toz emişi gerekir veya tavsiye edilir



Sınıf II yapıda (ilave koruma için çift yalıtımlı)



Çevre Koruması Atık elektrikli ürünler evsel atıklar ile birlikte atılmamalıdır. Tesis bulunan yerlerde geri dönüştürün. Geri dönüştürme tavsiyesi almak için yerel makamlar veya satıcı ile görüşün.



İlgili mevzuata ve güvenlik standartlarına uygundur.

Spesifikasyon

Model no:	TRA001
Voltaj:	220 V - 240 V~ 50 Hz, 9.1A
Güç:	2400 W
Yüksüz hız:	8.000 – 21.000 dak ⁻¹
Kovan:	½" ve 12 mm
Maksimum kesici çapı:	55 mm (WX7RT001 ile kullanıldığı zaman 50 mm)
Maksimum kovan boyu:	½" (İngiliz), 12 mm (metrik)
Yükseklik ayarı:	1) Serbest Dalma 2) Tabla Yükseklik Ayar Kolu 3) Mikro Ayar Kolu (Hassas Ayar)
Dalma Mesafesi:	0-68 mm <0 - 2-½" ABD değeri>
Sızdırmaz koruma:	IP20
Koruma sınıfı:	□
Elektrik kablosu uzunluğu:	3 m
Boyutlar (U x G x Y):	180 x 300 x 310 mm
Ağırlık:	6,3 kg < 13,9 lb ABD değeri>
Ürünlerimizi sürekli geliştirdiğimiz için Triton ürünlerinin spesifikasyonları haber verilmeden değiştirilebilir.	
Ses ve titreşim bilgileri:	
Ses basıncı L _{PA} :	85,5 dB(A)
Ses gücü L _{WA} :	96,5 dB(A)
Belirsizlik K:	3 dB
Ağırlıklı Titreşim a _w :	4,795 m/s ²
Belirsizlik K:	1,5 m/s ²
Operatör için ses şiddeti 85 dB(A) değerini aşabilir ve ses koruma önlemleri gereklidir.	

UYARI: Ses düzeyinin 85dB(A) değerini geçtiği yerlerde daima kulak koruyucu kullanın ve gerekirse maruz kalma süresini sınırlandırın. Kulak koruması kullanıldığı zaman bile ses düzeyleri rahatsız edici ise el aletini kullanmayı hemen bırakın ve kulak korumasının doğru takılıp takılmadığını ve el aletinizin ürettiği ses düzeyi için doğru miktarda ses zayıflatması sağlayıp sağlamadığını kontrol edin.

UYARI: Kullanıcının el aletinin titreşimine maruz kalması dokunma duyusunun kaybolmasına, uyuşmaya, karıncalanmaya ve tutma yeteneğinin azalmasına yol açabilir. Uzun süre maruz kalınması kronik bir duruma yol açabilir. Gerektiği takdirde, titreşime maruz kalma süresini sınırlandırın ve titreşim önleyici eldiven kullanın. Titreşim tarafından daha çok etkileneneği için ellerinizin sıcaklığı normal rahat bir sıcaklığın altında olduğu zaman el aleti kullanmayın. Spesifikasyonda titreşim ile ilgili olarak verilmiş değerleri kullanarak el aletini çalışma süresini ve sıklığını hesaplayın.

Spesifikasyondaki ses ve titreşim düzeyleri EN60745 veya benzer uluslararası standartlara göre belirlenmiştir. Verilen değerler el aletinin normal çalışma koşullarında normal kullanımını temsil etmektedir. İyi bakım yapılmayan, yanlış monte edilmiş veya kötü kullanılan bir el aleti yüksek seviyelerde gürültü ve titreşim üretebilir. www.osha.europa.eu adresinde, konutların içinde uzun süreler boyunca el aletleri kullanan kişiler için yararlı olabilecek, iş yerindeki ses ve titreşim seviyeleri hakkında bilgi bulunmaktadır.

Genel Güvenlik

UYARI Tüm güvenlik uyarılarını ve tüm talimatları okuyun. Uyarılara ve talimatlara uymaması elektrik çarpmasına, yangına ve/veya ağır yaralanmaya yol açabilir.

UYARI: Fiziksel veya akılsal yetenek eksikliği bulunan (çocuklar dâhil) veya yeterli deneyimi ve bilgisi olmayan kişiler, kendilerinin güvenliğinden sorumlu bir kişi tarafından cihazın kullanımı için gözetim ve bilgi sağlanmadığı sürece bu cihazı kullanmamalıdır. Çocukların bu cihaz ile oynamasına dikkat edilmelidir. Tüm uyarıları ve talimatları ileride kullanabilmek için saklayınız.

Uyarılardaki "elektrikli el aleti" terimi elektrik şebekesinden çalışan (kablolu) elektrikli el aleti veya batarya ile çalışan (kablesiz) elektrikli el aleti anlamına gelmektedir.

1) Çalışma alanının güvenliği

a) Çalışma alanını temiz ve iyice aydınlatılmış halde tutun. Dağınık veya karanlık yerler kazaları davet eder.

b) El aletlerini yarıcı sıvılar, gazlar veya toz içeren ortamlar gibi patlayıcı atmosferlerde çalıştırmayın. Elektrikli el aletleri tozu ve dumanları tutuşturabilecek kıvılcımlar çıkarır.

c) Elektrikli aletleri çalışırken çocukları ve izleyicileri uzakta tutun. Dikkati dağıtan şeyler kontrolü kaybetmenize neden olabilir.

2) Elektrik güvenliği

a) Elektrikli el aletlerinin fişleri prize uygun olmalıdır. Fişi asla hiçbir şekilde değişikliğe uğratmayın. Topraklanmış (topraklı) elektrikli el aletleri ile hiçbir adaptör fiş kullanmayın. Değişikliğe uğratılmamış fişler ve fişe uygun prizler elektrik çarpması riskini azaltır.

b) Borular, radyatörler, fırınlar ve buzdolapları gibi topraklanmış veya topraklı yüzeylere vücut ile temas etmemek kaydıyla. Vücutunuz topraklandığı zaman elektrik çarpması riski artar.

c) Elektrikli el aletlerini yağmura veya ıslak koşullara açık bırakmayın. Elektrikli el aletine su girmesi elektrik çarpması riskini artırır.

d) Kabloyu yanlış şekilde kullanmayın. Elektrikli el aletini taşımak, fişi takmak veya çıkarmak için asla kabloyu kullanmayın. Kabloyu ısı, yağ, keskin kenarlar veya hareketli parçalarından uzak tutun. Hasar gören veya düğümlenen kablolar elektrik çarpması riskini artırır.

e) Elektrikli bir el aletini dış mekânda kullanırken dış mekânda kullanmaya uygun bir uzatma kablosu kullanın. Dış mekânda kullanıma uygun bir kablo kullanmak elektrik çarpması riskini azaltır.

f) Elektrikli bir el aletini nemli bir yerde kullanmak zorunlu ise bir kaçak akım cihazı (RCD) ile korunan bir kaynak kullanın. RCD kullanmak elektrik çarpması riskini azaltır.

g) Avustralya'da veya Yeni Zelanda'da kullanıldığı zaman bu el aletine DA/MA 30 mA veya daha az nominal kaçak akım değerine sahip bir Kaçak Akım Cihazı (RCD) takılması tavsiye edilir.

3) Kişisel güvenliği

a) Elektrikli aletleri çalışırken tetikte olun, yaptığınız işe dikkat edin ve sağduyunuzu kullanın. Yorgun veya ilaçlı, alkolün veya bir tedavinin etkisinde olduğunuz zaman elektrikli alet kullanmayın. Elektrikli alet kullanırken bir anlık dikkatsizlik ağır yaralanmaya yol açabilir.

b) Kişisel koruyucu donanım kullanın. Daima göz koruyucu giyin. Gereken koşullar için kullanılan toz maskesi, kaymaz güvenlik pabuçu, barel veya işitme koruyucu gibi koruyucu donanım kullanılmaları azaltır.

c) El aletinin istenmeden çalıştırılmasını önleyin. Güç kaynağına ve/veya batarya grubuna bağlanmadan önce veya el aletini toplayıp taşımadan önce düğmenin kapalı olduğunu kontrol edin. Elektrikli el aletlerini parmağınız düğmenin üzerinde olacak şekilde taşımak veya anahtar üzerinde iken elektrikli el aletlerine enerji vermek kazaları davet eder.

d) Elektrikli el aletini çalıştırmadan önce tüm ayarlamaları anahtarlarını veya kollarını çıkarın. El aletinin dönen bir kısma takılı olarak bırakılan bir anahtar veya kol yaralanmaya neden olabilir.

e) Çok fazla ıleriye uzanmayın. Desteğiniz ve dengenzi daima uygun şekilde koruyun. Bu, beklenmeyen durumlarda aletin daha iyi kontrol edilmesini sağlar.

f) Uygun giysi giyin. Gevşek giysiler veya takı kullanmayın. Saçınızı, giysinizi ve eldivenlerinizi hareketli parçalardan uzak tutun. Hareketli parçalar, gevşek giysiler, takıları veya uzun saçı yakalayabilir.

g) Toz uzaklaştırma ve toplama olanaklarına bağlantı yapmak için cihazlar verilmiş ise bunları bağlayıp gereken şekilde kullanmaya dikkat edin. Toz toplama olanaklarının kullanılmasında toz ile ilişkili tehlikeleri azaltabilir.

4) Elektrikli el aletinin kullanımı ve bakımı

a) Elektrikli el aletini zorlamayın. İşiniz için doğru elektrikli el aletini kullanın. Doğru elektrikli el aleti bir işi daha iyi ve daha güvenli şekilde ve gerçekleştirilmek için tasarlandığı hızda yapar.

b) Düşme elektrikli el aletini açıp kapatıyorsa aleti kullanmayın. Düşme ile kontrol edilemeyen bir elektrikli el aleti tehlikelidir ve tamir edilmelidir.

c) Elektrikli el aletlerinde ayar yapmadan, aksesuarları değiştirmeden veya saklamadan önce aletin fişini güç kaynağından ve/veya batarya grubundan çekin. Bu gibi önleyici güvenlik önlemleri elektrikli el aletinin kazara çalıştırılmasını riskini azaltır.

d) Kullanılmayan elektrikli el aletlerini çocukların ulaşamayacağı bir yerde saklayın ve elektrikli el aletini veya bu talimatları iyice bilmeyen kişilerin

aleti kullanmasına izin vermayın. Elektrikli el aletleri eğitim almamış kullanıcılara elinde tehlikeli olur.

e) Elektrikli el aletlerine bakım yapın. Hareketli kısımlarda hızla kaçıklığı veya sıkışma, parçalarda kırılma ve el aletinin çalışmasını etkileyebilecek başka bir durum oluşmadığını kontrol edin. El aleti hasar görmüş ise kullanılmadan önce tamir ettirin. Kazaları birçoğuna iyi bakım yapılmayan el aletleri neden olmaktadır.

f) Kesici aletleri keskin ve temiz bulundurun. Kesici kenarları keskin olan iyi bakım gören kesici aletlerin sıkışma olasılığı daha azdır ve daha kolay kontrol edilir.

g) El aletini, aksesuarlarını ve alet uçlarını vb., çalışma koşullarını ve yapılacak işi dikkate alarak bu talimatlara göre kullanın. El aletinin amaçlanan işlemler dışındaki işler için kullanılması tehlikeli durumlara yol açabilir.

5) Servis

a) El aletinize yalnızca tamamen aynı yedek parçalar kullanılarak ehliyetli bir tamirci tarafından servis yapılmasına sağlayın. Bu, el aletinin güvenliğini sürdürülmesini sağlar. açabilir.

Frezeler için İlave Güvenlik



UYARI

- Elektrikli el aletini yalnızca yalıtımlı tutma yüzeylerinden tutun, çünkü kesici uç kendi elektrik kablosuna temas edebilir. Elektrik bulunan bir telin kesilmesi elektrikli el aletinin açtığı metal parçaların elektriklenmesine yol açabilir ve operatörü elektrik çarpmasına neden olabilir.
- İş parçasını dengeli bir platforma menegne veya başka uygun bir yol ile bağlayın. İş parçasını el ile veya vücuda bastırarak güvenli kontrolün kaybolmasına yol açabilir
- Elektrik kablosunun değiştirilmesi gerektiği zaman bir güvenlik tehlikesi ortaya çıkmaması için bu iş üretici veya onun temsilcisi tarafından yapılmalıdır.
- El aletine daima 30 mA veya daha az nominal kaçak akım değerine sahip bir kaçak akım cihazı takılması önemle tavsiye edilir.
- Güvenlik gözlüğü veya maskesi, kulak koruyucu, toz maskesi ve koruyucu giysi dâhil olmak üzere güvenlik donanımı ve güvenlik eldiveni kullanın
- Çalışma alanı çevresinde asla giysiler, kablolar, ipler bırakılmamalıdır
- Şebeke besleme voltajı ile el aleti künyesinde belirtilen voltajın aynı olduğunu kontrol edin
- Bu el aleti ile kullanılan uzatma kablolarının elektriksel bakımdan güvenli olduğunu ve el aleti için doğru amper değerinde sahip bulunduğunu kontrol edin
- Makaralı uzatma kablolarında ısınma ihtimali olmaması için kabloyu tamamen açın
- Çalışma alanının yüzeyinin altında elektrik kabloları veya borular olup olmadığını belirlemek için uygun detektörler kullanın. Gerekirse hizmet şirketlerinden yardım isteyin. Elektrik kablolarına temas etmek elektrik çarpmasına ve yangına yol açabilir. Bir gaz borusuna hasar vermek patlamaya neden olabilir. Su borularına temas etmek büyük maddi hasara yol açabilir
- Çalışmaya başlamadan önce iş parçasındaki çiviler ve vidalar gibi gömülü nesnelere dikkat edin
- Freze uçları son derece keskin olabileceği için bunları dikkatle tutun
- Freze ucunu kullanmadan önce hasar ve çatlak belirtileri olup olmadığını dikkatle kontrol edin. Hasarlı veya çatlak uçları hemen değiştirin
- Freze kesme takımlarının/uçlarının keskin olmasına ve doğru bakım görmesine olmasına dikkat edin. Kesici kenarların kör olması sıkışma, sıcaklık yükselmesi ve yaralanma ihtimali dâhil kontrol dışı durumlara yol açabilir
- Bir işe başlamadan önce frezeyi sağlama tutabilmek için DA/MA her iki sapı da kullanın ve sağlam şekilde tutun
- El aletinin kullanım sırasında güvenle tutulabilmesi için sapları ve tutma yüzeylerini kuru ve temiz tutun ve yağı ve gresi temizleyin
- Kesme işi yapmak üzere aletini kullanmadan önce aleti çalıştırıp bir süre çalışmaya bırakın. Titreşim olması kesici ucun düzgün takılmamış olduğunu gösterebilir
- Kesici ucun dönme yönüne ve parça besleme yönüne dikkat edin
- Ellerinizi frezeleme bölgesinden ve freze ucundan uzak tutun. İkinci eliniz ile yardımcı sapı veya yalıtımlı bir tutma yüzeyini tutun
- Kesme ucu iş parçasına dokunurken frezeyi ASLA çalışmaya başlatmayın
- Serbest el ile kullanırken dalma yayının daima takılı olmasına dikkat edin
- Kovanın kilittli durumunda dalma yapmadan önce kesici ucun tamamen durmasını bekleyin
- Freze ucunun/kesme takımının maksimum hızı ve az elektrikli el aletinin maksimum hızı kadar olmalıdır
- Freze ucunun bazı kısımları çalışma sırasında ısınabilir. Yanma riskinden kaçınmak için kullandıktan hemen sonra tutmayın

TR

- u) Parçaların yanıcı maddelere temas etmesine meydan vermeyin
- v) Freze kesme takımının/ucunun gövde ölçüsü frezeze takılan kovanın ölçüsü ile tam olarak aynı olmalıdır. Yanlış takılan Freze kesme takımları/ uçları düzgün olmayan şekilde döner ve daha fazla titreşim yaparak kontrolün kaybolmasına yol açabilir
- w) Freze çalışırken mil kilid düğmesine BASMAYIN veya el aletini uç değiştirme moduna getirmeye ÇALIŞMAYIN
- x) İş parçasını keserken basıncı sabit tutun ve kesme hızının belirlenmesini freze kesme ucuna bırakın. El aletini zorlayarak ve motoru aşırı YÜKLEMEYİN
- y) El aletindeki sınıflandırma etiketlerinin ve güvenlik uyarılarının okunaklı kalmasına dikkat edin ve bunlar çizildiği veya hasar gördüğü zaman değiştirin
- z) Frezeyi kullanırken freze ucunun iş parçası içinde sıkışarak kontrolün yitirilmesine karşı hazırlıklı olun. Bu gibi durumlarda frezeyi sıkı şekilde tutmaya ve açma/kapatma düğmesinin hemen açılmasına dikkat edin
- Frezeyi çalıştırdıktan sonra freze ucunun düzgün döndüğünü ('salgı' yapmadığını) ve freze ucunun yanlış takılması yüzünden ilave titreşim olmadığını kontrol edin. Frezeyi yanlış takılmış bir freze ucu çalıştırmak kontrolün yitirilmesine ve ağır yaralanmaya yol açabilir
 - Çapı 2 inçten (50 mm) büyük kesme uçlarını kullanırken son derece dikkatli olunmalıdır. Motoru fazla yüklememek için çok düşük besleme hızları kullanın ve/veya çok sayıda sık kesme yapın
 - Makineyi iş parçasından uzaklaştırdıktan önce DAİMA kapatın ve kesici ucunu tamamen durmasını bekleyin
 - Herhangi bir ayar, servis veya bakım yapmadan önce elektrik fişini çekin

UYARI: Elektrikli el aletlerini kullanırken oluşan toz zehirli olabilir. Bazı malzemeler kimyasal işlem görmüş veya kaplamalı olabilir ve zehirli bir tehlike oluşturabilir. Bazı doğal veya kompozit malzemeler zehirli kimyasallar içerebilir. Bazı eski boyalarda kurşun veya diğer kimyasallar bulunabilir. Bir frezeyi çalıştırırken çıkan toza uzun süre maruz kalmaktan kaçının. Zararlı kimyasalların emilmemesi için tozun cilt veya gözler ile temas etmesine ve tozun ağzınıza girmesine izin VERMEYİN. Olanaklı olduğu zaman iyi havalandırılan bir yerde çalışın. Olanaklı olduğu zaman uygun bir toz maskesi ve toz emme sistemi kullanın. Daha sık maruz kaldığınız takdirde tüm güvenlik önlemlerine uymak ve daha yüksek düzeyde bir kişisel koruma kullanmak daha çok önem taşır.

Ürünün Tanıtılması

1. Taret Duruş Noktaları
2. Ayna
3. Derinlik Çubuğu
4. Yan Hava Çıkışları
5. Derinlik Çubuğu Kilitleme Topuzu
6. Motor
7. Geri-çekilir Açma-Kapatma Düğmesi Kapağı
8. Açma/Kapatma Düğmesi
9. Fırça Erişim Kapakları
10. Hız Kontrol Ayarı
11. Dalma Kilidi Kolu
12. Güvenlik Korumucuları
13. Taban Plakası Montaj Topuzları
14. Tabla Yüksekliği Ayar Kolu Bağlantı Noktası
15. Toz Emiş Deliği
16. Otomatik Mil Kilidi
17. Ayar Kolu Sapı Kavrama Bileziği
18. Dalma Seçme Düğmesi
19. Ayar Kolu Sapı
20. Mikro Ayar Kolu
21. Dalma Yay Erişim Kapağı
22. Perde
23. Kovan
24. Tabla Yüksekliği Ayar Kolu
25. Somun Anahtar
26. Çember Kesme Eksen Kaidesi
27. Geniş Taban Plakası

Şekil II

- A. ¼ UNC x4
B. M6 x3
C. Tabla Ayar Kolu Çentiği

Kullanma Amacı

½" ve 12 mm'ye kadar gövdeli freze uçları ile kullanmak için (takılı kovana bağlı olarak) el ile kullanılan hassas dalma freze. Doğal ve kompozit aşıtahta profiller, oluklar, kenarlar ve uzun delikler kesmek için kullanılır. Ayrıca uygun freze tablası sistemlerine sabit şekilde takılabildiği gibi şekiller, kesmek, şablonlanı izlemek için kılavuz burçlar ve şablonlar ile kullanılabilir.

El Aletinin Ambalajının Açılması

- Yeni dalma frezenizin ambalajı dikkatle açın ve muayene edin. Tüm özelliklerini ve fonksiyonlarını iyice öğrenin
- El aletinin tüm parçalarının mevcut olduğunu ve iyi durumda bulduklarını kontrol edin. Eksik veya hasarlı parçalar olduğu takdirde bu aleti kullanmaya başlamadan önce bunların değiştirilmesini sağlayın

Kullanmadan önce

UYARI: Herhangi bir aksesuar takmadan veya değiştirmeden veya herhangi bir ayar yapmadan önce el aletinin güç kaynağından ayrılmasına dikkat edin.

Kovan ve kesme ucu takma

Not: Kesme uçları keskin olduğu için freze uçlarını takarken ve sökerek koruyucu eldiven giyin.

1. Frezeyi düz bir yüzeye yüz üstü yerleştirin. Motor (6) tamamen hareketsiz olmalı ve elektrik kablosu prizden çekilmelidir.
2. Kovan (23) tabandan dışarıya çıkıncaya kadar Ayar Kolu Sapı Kavrama Bileziğini (17) (Görüntü B) içeriye doğru bastırarak ve Ayar Kolu Sapını (19) saat yönünde çevirerek frezeyi maksimum dalma durumuna getirin, (görüntü A)

Not: Derinlik Çubuğunun (3) tamamen geri çekilmiş olmasına dikkat edin ('Derinlik çubuğu ve taret' kısmına bakınız). Kovan tabandan dışarıya çıkararak anahtarın kolayca ulaşmasına olanak verilmelidir.

3. Temin edilmiş olan anahtar (25) kullanılarak Kovanı sökülünceye kadar saate ters yönde çevirip gevşetin.
4. İstenen Kovanı seçin ve Kovanı saat yönünde vidalayarak Aynaya (2) takın
5. Freze kesme ucunu kovana sokun. Gövdenin en az 20 mm'sinin veya yarısının (hangisi daha büyük ise) Kovana girmesine dikkat edin. Sonra somun anahtarını kullanarak kovani hafifçe döndürüp kilitlenerek takılmasını sağlayın, (Görüntü C). Takma işi tamamlandıktan sonra somun anahtarını saat yönünde döndürerek kesme ucunu sıkın
6. Frezeyi normal bir çalışma derinliğine geri getirin. Böylece kovan kilidi açılır ve geri-çekilir düğme kapağını serbest bırakarak Açma/Kapatma Düğmesine (8) ulaşmayı sağlar

Toz emiş deliği

Not: Triton Frezede, kesimin üzerinden talaş emmek için Toz Emiş Deliği (15) bulunmaktadır. Toz Emiş Deliği, Triton Toz Toplayıcı (DCA300) ile birlikte verilen 38 mm (1½") dış çaplı hortum buraya yarar.

- Toz emiş hortum sol vida dişi ile (saate ters yönde) bu konuma vidalanır, (Görüntü D)

İsteğe bağlı talaş toplama aksesuarı

- Kesilen bölge boyunca etkin şekilde talaş toplayan isteğe bağlı bir Toz Kanalı yerel Triton satıcınızdan temin edebilirsiniz. Dış çapı 38 mm (1-½") olan tüm hortumlarla bağlanabilir, (Görüntü E)

Geniş taban plakasının ve perdenin takılması

1. İki Taban Plakası Montaj Topuzunu (13) bulun ve tamamen gevşetin. Montaj saplamaları böylece Geniş Taban Plakasındaki (27) freze sabitleme deliklerine geçer
2. Hem dalma frezeyi hem Geniş Taban Plakasını yüz üstü çevirin
3. Dalma frezedeki Taban Plakası Montaj Topuzlarını içeriye bastırarak saplamaları meydana çıkartın
4. Montaj saplamalarını Geniş Taban Plakasındaki freze sabitleme delikleri ile hizalayın ve anahtar deliği şeklindeki yarıkların içine kaydırın (Görüntü K).

Not: Geniş taban plakasının yönü nerede destek gerektiğine bağlıdır. Kenarda çalışmak için Açma/Kapatma Düğmesini (8) tabanın kısa çıkıntı yapan tarafına getirin

5. Dalma frezedeki Taban Plakası Montaj Topuzlarını iyice sıkarak dalma frezeyi Geniş Taban Plakasına sabitleyin
6. Perdeyi (22) takmak için perde topuzlarını gevşetin ve perdeyi Geniş Taban Plakasındaki kılavuzlar boyunca kaydırın, (Görüntü L). Her iki perde topuzunu sıkarak istenen ayarda kilitleyin

Not: Kenardan uzakta kanal frezesi yaparken perdeyi taban plakasının uzun tarafına takın.

Not: Rulman kılavuzu olmayan bir kesme ucu ile kenar işi yaparken perdeyi tabanın kısa kenarına takın, (Görüntü J)

Not: Çok büyük çaplı bir kesme ucu kullanıldığında takdirde kesici ucun perdede dokunmaması için vida deliklerini kullanarak perde yüzeylerine aşşap takozlar takmak gerekebilir.

Kullanılması

UYARI: Bu el aleti ile çalışırken DAİMA uygun eldivenlerin yanı sıra göz koruması, uygun solunum koruması ve kulak koruması kullanın.

Çalıştırılması ve durdurulması

Not: Freze güç kaynağına bağlı olduğu zaman Açma/Kapatma Düğmesi (8) hem 'Açık' hem 'Kapalı' durumunda iken yanar.

Not: Geri-çekilir Açma-Kapatma Düğmesi Kapağı (7) frezenin kazara çalıştırılmasını önler. Frezenin çalıştırılabilemesi için önce bunun geriye kaydırılması gerekir. Freze kapatılıncaya kadar kapak açık kalır.

1. Dalma frezenin maksimum hareket mesafesi konumunda olmasına ve çalıştırıldığı zaman kesme ucunun hiç bir yabancı cisme çarpmayacağına dikkat edin
2. Elektrik kablosunu sebebe prizine bağlayın ve Açma/Kapatma Düğmesi Kapağını geriye çekerek Açma/Kapatma Düğmesini meydana çıkarın
3. Açma/Kapatma Düğmesini 'I' konumuna bastırarak dalma frezeyi AÇIK duruma getirin. Açma/Kapatma Düğmesi bu konuma iken, Geri Çekilir Açma/Kapatma Düğmesi Kapağının tekrar Açma/Kapatma Düğmesini örtmesi engellenir
4. KAPATMAK için Açma/Kapatma Düğmesini 'O' konumuna bastırın. Geri Çekilir Açma/Kapatma Düğmesi Kapağı ilk konumuna geri kayar

Değişken Hız Kontrolü

Not: Freze hız ayarları kritik bir öneme sahip değildir. Genel olarak, iş parçasında yanık izlerine neden olmayan en yüksek hız kullanılmalıdır. Belirtilmiş ise, kesme ucu üreticisinin maksimum hız sınırlamalarına daima uyun.

- Düşük hızlarda çalışılması aşırı yük yüzünden frezenin zarar görmeye riskini artırır. Çok düşük besleme hızları kullanın ve/veya çok sayıda iş kesme yapın.
- Hız Kontrol Ayarında (10), yaklaşık olarak aşağıdaki hızlara ve kesme ucu çaplarına karşılık gelen 1 ile 5 arasında işaretler vardır. Gerekli hızı seçmek için kadranı çevirin

Ayarlar	d/d	Kesme Takımı Çapı
5	21.000	25 mm'ye (1") kadar
4	18.000	25 - 50 mm (1" - 2")
3	14.500	50 - 65 mm (2" - 2½")
2	11.000	65 mm'in (2½") üzerinde
1	8.000	Yalnız yaptığı takdirde kullanın

Kesme derinliği ayarı

Not: Freze belli bir kesme derinliğinde kilitlemek için freze başını aşağı daldırın ve Dalma Kilitli Kolunu (11) en alt konumuna döndürün. Böyle freze başı bulunduğu yerde durur

- Gerekli hassasiyete ve kontrole bağlı olarak üç tane kesme derinliği ayar yöntemi bulunmaktadır:

Serbest Dalma

1. Dalma Seçme Düğmesine (18) basılarak serbest dalma derinliği ayarları yapılır. Dalma Seçme Düğmesine, sapın iç tarafında takılı kalıncaya kadar sapın içine doğru derinlemesine bastırın (Görüntü A)
2. Dalma Kilitli Kolunu (11) serbest bırakın ve gerekli derinliği elde edinceye kadar freze gövdesini itin. Dalma Kilitli Kolunu tekrar kilitleyin

Tabla yüksekliği ayar kolu

1. Ayar Kolu Sapı (19) döndürülerek dalma derinliği ayarları yapılabilir
2. Dalma Seçme Düğmesini (18) açın ve düğmenin Ayar Kolu Sapı ile aynı hizaya olmasına dikkat edin
3. Sapı açmak için Ayar Kolu Sapı Kavrama Bileziğini (17) içeriye çekin (Görüntü B)
4. Dalma Kilitli Kolunu (11) bırakın ve Ayar Kolu Sapını istenen kesme derinliğine ulaşıncaya kadar bakın. Ayar Kolu Sapı Kavrama Bileziğini bırakın ve Dalma Kilitli Kolunu kilitleyin

Mikro ayarlayıcı

Not: Yalnızca Tabla Yüksekliği Ayarı (19) dalma tarzında kullanılmak içindir.

1. Dalma Seçme Düğmesini (18) serbest bırakın ve Dalma Kilitli Kolunun (11) kilitli olmadığını kontrol edin
- Not:** Dalma kilitli kolu kilitli halde iken Mikro Ayar Kolu (20) döndürüldüğü takdirde mikro ayar kolu tıklamaya başlar ve kesme derinliği değişmeden kalır.
2. Kesme derinliğini arttırmak için Mikro Ayar Kolunu saat yönünde, kesme derinliğini azaltmak için ise saate ters yönde çevirin. İstenen yüksekliğe erişilinceye kadar kesme derinliğini ayarlayın
- Not:** Derinlik ayarı mesafesinin sonuna ulaşıldığı zaman mikro ayar kolu daha fazla derinliği gösterir ve 'tıklamaya' başlar.
3. Özellikle büyük boyutlu kesme işleri için Dalma Kilitli Kolunu kilitleyin

Derinlik çubuğu ve taret

1. Derinlik Çubuğu (3) ve Taret Duruş Noktaları (1) sayesinde üç farklı kesme derinliği hassas şekilde önceden ayarlanır.
2. Derinlik Çubuğu Kilitleme Topuzunu (5) gevşetin ve Derinlik Çubuğunu (3) tamamen geriye çekin, sonra tekrar sıkın, (Görüntü F)
3. Sabit taret dikmesindeki ölçüleri kullanarak taret dikmesini gerekli dalma derinliklerine ayarlayın (Görüntü G)

Not: Taret dikmesini değiştirmek için tüm taret grubunu döndürerek Derinlik Çubuğu ile hizalayın.

Kovana (23) gerekli kesme takımını taktıktan sonra, kesme takımının ucu iş parçasına dokununcaya kadar dalma derinliğini ayarlayın.

4. Sabit taret dikmesi Derinlik Çubuğu ile aynı hizada oluncaya kadar taret döndürün. Çubuğu bırakarak dikme üzerine yalınmasını sağlayın ve sonra Derinlik Çubuğu Kilitleme Topuzunu tekrar sıkın. Dalma derinliği şimd sıfıra ayarlanmıştır

5. İstenen dalma derinliğine sahip taret dikmesi Derinlik Çubuğu ile aynı hizada oluncaya kadar Taret Duruş Noktalarını döndürün

İsteğe bağlı şablon kılavuz burçları

Şablon kullanılan freze yapmak için çeşitli şablon kılavuz burçları vardır. Yerel Triton satıcınızda aksesuar takımları bulunmaktadır

Kesme işlemi

Not: Frezeyi bir çeşit kılavuz olmadan asla serbest ile kullanmayın. Ruiman kılavuzu olan bir kesme ucu, temin edilmiş olan kılavuzlar veya bir mastar kılavuz görevi görebilir (Görüntü I)

1. Frezeyi DALMA her iki eli ile frezedeki saplardan tutun. İş parçasının hareket edemeyecek şekilde olmasına dikkat edin. Olanak olduğu zaman mengineye kullanın
2. Motorun tam çalışma hızına ulaşmasını bekleyin
3. Frezeyi yavaş hareket ettirerek ve taban plakasının iş parçasına düz şekilde yaslayarak freze kesme takımını iş parçasına daldırın
4. Kenar kesme işi yaparken iş parçasında kesilen yer kesme yönüne göre sol tarafa kalmalıdır (Görüntü I). Basınçlı sabit tutun ve kesme takımını malzeme içinde sürekli şekilde ilerletmeye bırakın. Budakların ve diğer tür farklılıkların ilerleme hızını düşüreceğini unutmayın

Not: Kesme ucunun 'çatırı' yapmaması için kesme ucu dış kesme işlemlerinde saate ters yönde ve iş kesme işlemleri için saat yönünde döndürün.

Not: Frezeyi çok hızlı hareket ettirmek yüzeyin kalitesiz olmasına ve motorun (6) aşırı yüklenmesine yol açabilir. Frezeyi çok yavaş hareket ettirmek iş parçasının fazla ısınmasına neden olabilir.

Not: Frezeyi normal kullanma şekli, frezeyi çalıştırdıktan sonra kafayı kaldırmak şeklindedir.

Not: Frezeyi iyi bir muhafazaya sahip bir tablaya (örneğin Triton marka) monte etmeden baş aşağı çalıştırmayın.

Çok sayıda geçişle kesme yapmak

1. Taret Duruş Noktası (1), maksimum kesme derinliğini operatör tarafından belirlenen bir sayıda geçiş ile gerçekleştirilmesini sağlar. Taret dikmesindeki tırtılı düğme ayarlanarak taretin her adımı önceden belirlenebilir
2. Freze daldırıldığı zaman Derinlik Çubuğu önceden ayarlanmış en yüksek taret dikmesine temas edecek şekilde Taret Duruş Noktasını döndürün. İlk kesme geçişi artık yapılabılır
3. Tam kesme derinliğine ulaşıncaya kadar, her geçişte gereken şekilde taret duruş noktasını döndürüp taret dikmesi derinliğini ayarlayarak geçişler yapmaya devam edebilirsiniz

Çember Kesme

1. Geniş Taban Plakasını (27) Perdelye (22) kullanmadan frezeye takın
2. Çember Kesme Eksen Kaldesini (26) Geniş Taban Plakasından ayırın ve küçük bir çivi veya vida kullanarak eksen kaldesindeki deliklerin birisinden iş parçasının merkezine sabitleyin (Görüntü M). Eksen kaldesi çevresini yerinde bırakın
3. Frezeyi ve tabanı eksen kaldesinin üzerine indirin ve pulu ve kelebek somunu tekrar takın (Görüntü N).
4. Açma-kapatma düğmesi 'Kapalı' olacak şekilde frezeyi amaçlanan yüz üzerinde döndürerek çemberi kontrol edin ve gerekli olabilecek ayarları yapın
5. Birkaç kez geçiş yaparak çemberi kesin ve kesme derinliğini her geçişte yaklaşık 2 mm (3/16") alçaltın. (Görüntü T) Bir tek geçişte derin şekilde kesmeye çalışmayın
- Tüm kalınlık boyunca kesme: Malzeme tüm kalınlık boyunca kesilecek ise iş parçasız altına ıskartalık bir tahta sabitleyin. Çemberi gerekenden daha büyük kesin ve alt tarafa kadar kesildikten sonra hafif ve tüm derinlik boyunca geçişler yaparak çapı küçültün ve gerekli boyuta kadar işleyin

Tablaya monte ederek kullanma

UYARI: Triton İş Merkezi Freze Tablası Modülü TWX7RT001 ile kullanıldığında zaman maksimum kesme takımını çapı 50 mm'dir. İş Merkezi spesifikasyonları bunu sınırlandırmaktadır.

Not: Bu frezeyi bir Freze Tablasına bağlayıp kullanmak için Freze Tablası ile birlikte verilen belgelere göre hareket edilmelidir.

Not: Bu ürün freze tablalarının çoğunda etkin ve rahat çalışacak şekilde tasarlanmıştır olmasına rağmen Triton Freze Tablası RTA300 ve TWX7RT001 ile kullanmaya özellikle elverişlidir.

Not: Bu el kitabında yukarıda açıklanan özgün özellikler kullanılan freze ayarları son derece kolay şekilde ayarlanabilir. Bakınız: 'Kesme Uçlarının Takılması ve Değiştirilmesi' ve 'Kesme Derinliği Ayarı'.

Not: Bu frezeyi bir freze tablasına bağlamadan önce dalma yayının sükülmesini ZORUNLUDUR.

1. Frezeyi dalma mesafesinin tepesine ayarlayın ve Dalma Kilitli Kolunu (11) takın
2. Dalma Yayını Erişim Kapağının (21) yanındaki küçük vidayı bir kaç tur gevşetin.
3. Yay serbest kaldığı zaman yukarıya fırlamasını iş dalma yayı erişim kapağını sıkıca tutarak kapağı saate ters yönde büküp çıkarın, (Görüntü O)
4. Yay söküp güvenli bir yerde saklayın.
5. Dalma yayı kapağını tekrar takın ve vidayı tekrar sıkın.

Not: Frezeyi serbest elle kullanmadan önce dalma yayının tekrar takıldığını kontrol edin.

TR

Taban plakası vida dışlarına ulaşılması

1. Frezeyle üçüncü taraf freze tablasına veya kendi yaptığınız bir tablaya monte etmek için taban plakasındaki Görüntü O'da belirtilen 4 adet vidayı sökün ve taban plakasını çıkarın
2. Şekil II'de gösterildiği gibi 2 grup vida dışı vardır. Taban plakasını sabitlemek için kullanılan ve tablaya monte etmek içinde uygun olan 4-1/4 UNC vida dışları (A) ve ayrıca 3 x M6 diş (B) bulunmaktadır

Not: M6 dişler TRAD01 frezenin eski türlerinde bulunmamaktadır.

Aksesuarlar

- Triton satıcınızda çok çeşitli kesme takımları/freze uçları dâhil olmak üzere bu el aleti için geniş bir kapsamda uygun aksesuar bulunmaktadır. Karbon fırçalar, kilavuz burçlar ve kovanlar dâhil olmak üzere yedek parçalar Triton satıcınızdan veya www.toolsparenline.com adresinden temin edilebilir.

Bakım

⚠ UYARI: Herhangi bir muayene, bakım veya temizlik yapmadan önce el aletini DAİMA güç kaynağından ayırın.

Genel muayene

- Tüm sabitleme vidalarının sıkılı olduğunu düzenli şekilde kontrol edin
- El aletinin elektrik kabloşunda hasar veya aşınma olup olmadığını her kullanımdan önce muayene edin. Tamir işleri yetkili bir Triton servis merkezi tarafından yapılmalıdır. Bu tavsiye bu el aleti ile kullanılan uzatma kabloları için de geçerlidir

Temizleme

⚠ UYARI: Bu el aletini temizlerken göz koruyucu ve eldiven dâhil olmak üzere DAİMA koruyucu donanım kullanın.

- El aletinizi daima temiz tutun. Kir ve toz iç parçaların hızla aşınmasına yol açar ve makinenin hizmet ömrünü kısaltır
- Makinenizin gövdesini yumuşak bir fırça veya kuru bez ile temizleyin
- Plastik kısımları temizlemek için asla kostik maddeler kullanmayın. Kuru olarak temizlemek yeterli olmadığı takdirde ıslak bir bezin üzerinde yumuşak bir deterjan kullanılması tavsiye edilir
- El aletine asla su temas etmemelidir
- El aletini kullanmadan önce tamamen kuru olmasına dikkat edin
- Var ise temiz ve kuru basınçlı hava kullanarak havalandırma deliklerini üfleyin (geçerli olan yerde)

Yağlama

- Uygun bir yağlayıcı sprey kullanarak hareketli kısımların hepsini düzenli aralıklar ile hafifçe yağlayın

Fırçalar

- Motordaki karbon fırçalar zamanla aşınabilir
- Çok fazla aşınan fırçalar güç kaybına, aralıklı arızalara veya gözle görülür kıvılcımlara neden olabilir
- Fırçaları değiştirmek için iki Fırça Erişim Kapaklarını (9) çıkarın. Aşınmış fırçaları dikkatle çıkarın (Görüntü P) ve soketlerin temiz olduğunu kontrol edin. Dikkatle yenileri ile değiştirin ve Fırça Erişim Kapaklarını takın
- Taktikten sonra fırçaların yerlerine alışması için frezeyle 2-3 dakika yüksüz şekilde çalıştırın. Fırçaların tamamen alışma süreci bir kaç kullanım boyunca devam edebilir. Yeni karbon fırçalar alışincaya kadar motor kıvılcımları devam edebilir
- Veya bunun yerine makineye yetkili bir servis merkezinde servis yaptırın

Saklama

- Bu aleti çocukların erişemeyeceği şekilde, güvenli, kuru bir yerde saklayın

Atılması

Artık çalışmayan ve tamir edilmesi bir işe yaramayacak olan el aletlerini atarken daima utusal yönetmelikleri izleyin.

- Elektrikli el aletlerini ve diğer elektrikli ve elektronik atık donanımları (WEEE) evsel atıklar ile birlikte atmayın
- Elektrikli el aletlerini atmanın doğru yolu hakkında bilgi almak için bölgenizdeki yerel atık bertaraf makamına danışın

Riešenie problémov

Problem	Muhtemel nedeni	Çözümü
Açma-Kapatma Düşmesi (8) açıldığı zaman çalışmıyor	Elektrik yoktur	Elektrik beslemesini kontrol edin
	Açma/Kapatma Düşmesi arızalıdır	Açma/Kapatma Düşmesini yetkili bir Triton servis merkezinde değiştirin
Yanlış kesme profili	Derinlik Çubuğu (3) doğru ayarlanmamıştır	Derinlik Çubuğunun, Taret Duruş Noktaları (1) tarafından izin verilen maksimum kesme miktarına denk düşmesini dikkat edin
	Freze ucu/Kovan (23) yanlış takılmıştır veya gevşektir	Freze ucu/Kovan ve kesme takımı grubunu sıkın
Freze çalışmıyor	Elektrik yoktur	Kaynakta elektrik olup olmadığını kontrol edin
	Fırçalar aşınmıştır veya yapışmaktadır	Elektrik kaynağından ayırın, Fırça Erişim Kapaklarını (9) açın ve fırçaların hasarlı veya çok fazla aşınmamış olmasına dikkat edin
	Düğme arızalıdır	El aletine yetkili bir Triton servis merkezinde servis yaptırın
	Motor bileşenlerinde arıza veya kısa devre vardır	
Freze yavaş çalışıyor veya yavaş kesiyor	Kesici uç körelmiş veya hasar görmüştür	Kesici ucu bileyin veya değiştirin
	Hız kontrol ayarı (10) düşük ayarlanmıştır	Değişken hız ayarını yükseltin
	Motor aşırı yüklenmektedir	Freze üzerindeki itme kuvvetini azaltın
Aşırı Titreşim	Freze ucu yanlış takılmıştır veya gevşektir	Freze ucunu tekrar takın veya sıkın
	Freze ucu eğrilmiştir veya hasarlıdır	Freze ucunu değiştirin
Motor muhafazasında çok fazla kıvılcım oluşuyor	Fırçalar serbestçe hareket etmemektedir	Elektrik kaynağından ayırın, fırçaları sökün, temizleyin veya değiştirin
	Motor aşınmıştır veya hasarlıdır	El aletine yetkili bir Triton servis merkezinde servis yaptırın
Mikro Ayar Kolu (20) "tıkılıyor" veya ayarlanmıyor	Dalma Kilidi Kolu (11) kilitleli durumdadır	Dalma Kilidi Kolunu açın
	Ayar aralığının sonuna ulaşmıştır	Mikro Ayar Kolunu resetleyin ve derinliği Derinlik Çubuğu (3) ile ayarlayın
Tuhaf bir ses çıkarıyor	Mekanik engelleme vardır	El aletine yetkili bir Triton servis merkezinde servis yaptırın
	İç sargılarda hasar vardır	

Garanti

Garantinizi tescil ettirmek için www.tritontools.com adresindeki web sitemizi ziyaret ederek bilgilerinizi giriniz. Size ait bilgiler ilerideki yayınlar hakkında bilgi vermek üzere posta listemize dâhil edilecektir (aksi belirtilmediği takdirde). Verilen bilgiler hiç bir üçüncü tarafa iletilmeyecektir.

Satın alma kayıtları

Satın Alma Tarihi: ___ / ___ / ____

Model: TRA001 Makbuzunuzu satın alma kanıtı olarak saklayınız

Triton Precision Power Tools, ilk satın alma tarihinden itibaren 3 YIL süre içinde hatalı malzemeler veya işçilik yüzünden herhangi bir parçanın kusurlu çıkması durumunda Triton'un hatalı parçayı ücretsiz olarak tamir edeceğini veya kendi takdirine göre değiştirceğini bu ürünü satın alan kişiye garanti eder.

Bu garanti ticari kullanım için geçerli olmadığı gibi normal aşınmayı ve yıpranmayı veya kaza, kötüye kullanma veya yanlış kullanma yüzünden oluşan hasarı içermez.

* 30 gün içinde çevirim içi olarak tescil yaptırın.

Kurallar ve koşullar geçerlidir.

Bunlar sizin yasal haklarınızı etkilemez

AB Uygunluk Beyanı

Aşağıda imzası bulunan: Bay Darrell Morris

Yetki veren: Triton Tools

Beyan eder ki

Tanımlama kodu: 330165

Açıklama: İkili Mod Hassas Dalma Freze 2400 W

Aşağıdaki direktiflere ve standartlara uygundur:

Makine Direktifi 2006/42/EC

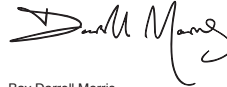
- Alçak Voltaj Direktifi 2006/95/EC
- EMC Direktifi 2004/108/EC
- RoHS Direktifi 2011/65/EU
- EN60745-1:2006+A11:2010
- EN60745-2-17:2010
- EN55014-1:2006+A1+A2
- EN55014-2:1997+A1+A2
- EN61000-3-2:2006+A1+A2
- EN61000-3-3:2013

Onaylanmış kuruluş: TÜV Rheinland Co., Ltd.

Teknik dokümanları muhafaza eden: Triton Tools

Tarih: 24/11/2015

İmza:



Bay Darrell Morris

Sorumlu Müdür

Üreticinin adı ve adresi:

Powerbox International Limited, Şirket No. 06897059. Tescilli adres: Central House, Church Street, Yeovil, Somerset BA20 1HH, Birleşik Krallık.

TR