



DC-2300

DUST COLLECTOR

10001055M

~230V, 50Hz/1

10001055T

~400V, 50Hz/3

PARTS LIST



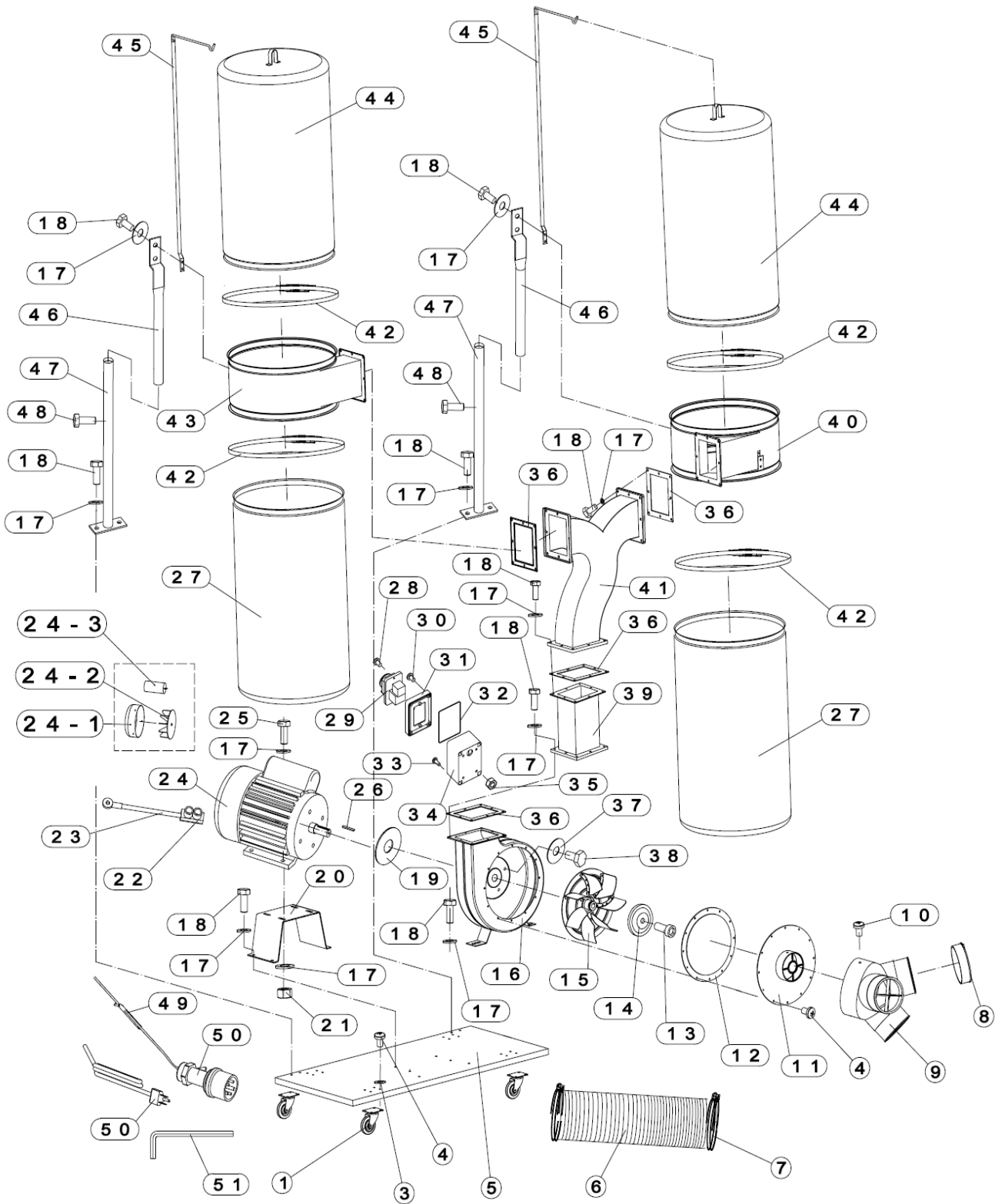
JPW (TOOL) AG
Ackerstrasse 45,
CH-8610 Uster,
Switzerland

www.jettools.com

P-10001055M/T

2021-07

Parts Breakdown for DC-2300 Dust Collector



Parts List for DC-2300 Dust Collector

Index No.	Part No.	Description	Size	Qty.
1	DC2300-001	Caster	3"	4
3	DC2300-003	Washer	6	16
4	DC2300-004	Hex. Bolt	M6x10	28
5	DC2300-005	Base		1
6	DC2300-006	Hose	4"x2000	1
7	DC2300-007	Hose Clamp	M100	2
8	DC2300-008	Cap		2
9	DC2300-009	Inlet Port		1
10	DC2300-010	Screw	M5x8	1
11	DC2300-011	Inlet Guard		1
12	DC2300-012	Packing		1
13	DC2300-013	Cap Screw	M6x20-L	1
14	DC2300-014	Washer		1
15	DC2300-015	Impeller		1
16	DC2300-016	Impeller Housing		1
17	DC2300-017	Washer	8	54
18	DC2300-018	Bolt	M8x16	46
19	DC2300-019	Washer		1
20	DC2300-020	Motor Base		1
21	DC2300-021	Hex. Nut	M8	4
22	DC2300-022	Wire Connector		1
23	DC2300-023	Wire		1
24	DC2300T-024	Motor 400V,50Hz, 3PH P2=1.7kW complete assembly		1
	DC2300M-024	Motor 230V, 50Hz, 1PH P2=1.7kW complete assembly		1
24-1	DC2300-024-1	Motor Cover		1
24-2	DC2300-024-2	Motor Fan		1
24-3	DC2300-024-3	Capacitor for 230V 450V 50uf		1
25	DC2300-025	Bolt	M8X25	4
26	DC2300-026	Key	A5x25	1
27	DC2300-027	Collector Bag		2
28	DC2300-028	Screw	ST4.2x12	2
29	DC2300T-029	Switch 400V 50Hz 3PH		1
	DC2300M-029	Switch 230V 50Hz 1PH		1
30	DC2300-030	Screw	ST4.2x16	4
31	DC2300-031	Switch Plate		1
32	DC2300-032	Packing		1
33	DC2300-033	Screw	M5x12	3
34	DC2300-034	Switch Box Base		1
35	DC2300-035	Hex. Nut	M5	3
36	DC2300-036	Packing		4
37	DC2300-037	Washer	10	4
38	DC2300-038	Hex. Bolt	M10x16	4
39	DC2300-039	Square Tube		1
40	DC2300-040	Collector A		1
41	DC2300-041	Connector		1
42	DC2300-042	Bag Clamp		4
43	DC2300-043	Collector B		1
44	DC2300-044	Filter Bag		2
45	DC2300-045	Upper bag Support		2
46	DC2300-046	Collector Support A		2
47	DC2300-047	Collector Support B		2
48	DC2300-048	Hex. Bolt	M8x10	2
49	DC2300-049	Wire		1
50	DC2300T-050	Plug 400V 50Hz 3PH		1
	DC2300M-050	Wire & Plug 230V 50Hz 1PH		1
51	DC2300-051	Hex. Wrench	5	1

Wiring Diagram for DC-2300 Dust Collector

10001055M~400V, 50Hz

10001055T~230V, 50Hz

	colour of strands	Litzenfarben	couleur des cordons
BK	Black	Schwarz	Noir
WH	White	Weiß	blanc
BU	Blue	Blau	Bleu
BN	Brown	Braun	Brun
YE	Yellow	Gelb	Jaune
RD	Red	rot	rouge
GNYE	green-yellow	grün-gelb	vert-jaune

	meaning of symbol	Bedeutung der Zeichen	interprétation
M	motor	Motor	moteur
S	switch	Schalter	interrupteur
C	Condenser	Kondensator	Condensateur
OL	Overload cut-off	Überlastschuttschalter	Déclencheur surcharge

