



**JWDS-2244**

**DRUM SANDER**

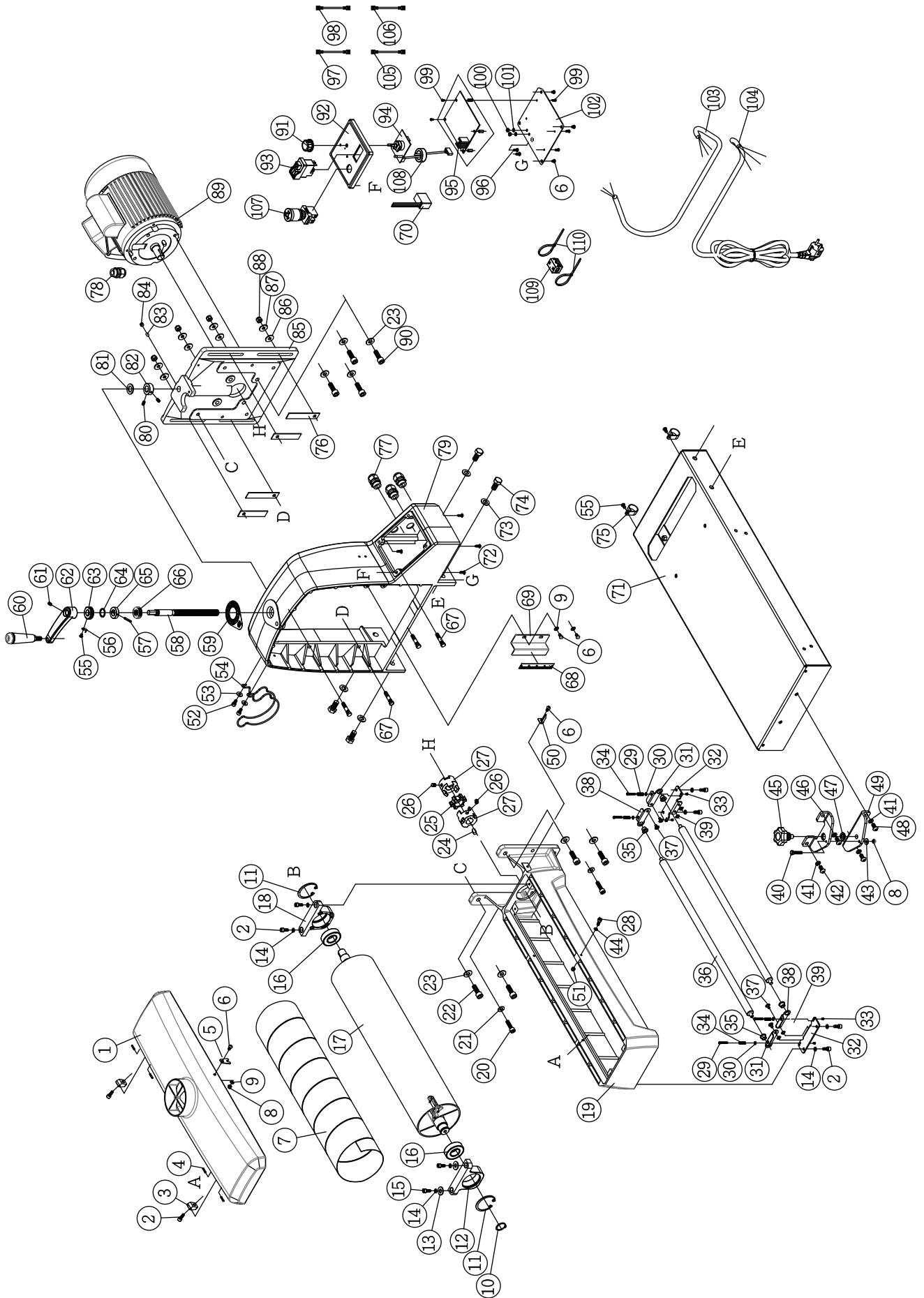
**JWDS-2244....723540OSKM....1~230V, 50Hz**

## **PARTS LIST**

**JPW (Tool) AG**  
Tämperlistrasse 5  
CH-8117 Fällanden  
Switzerland  
Phone+41 44 806 47 48  
Fax+41 44 806 47 58  
[www.jettools.com](http://www.jettools.com)

P-723540OSKM 2019-11

# JWDS-2244 Head Assembly – Exploded View



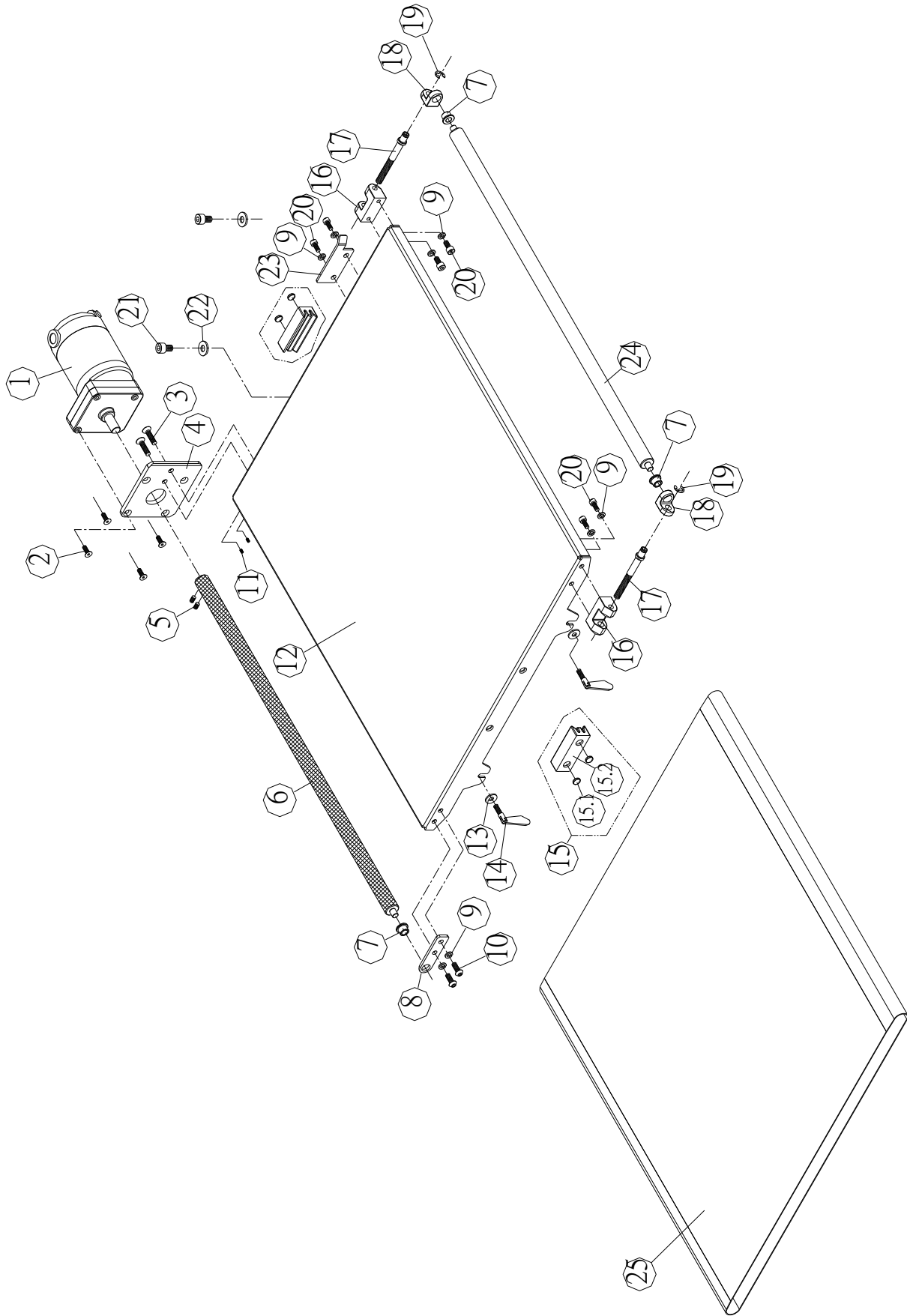
## JWDS-2244-M Head Assembly – Parts List

Index No	Part No	Description	Size	Qty
1	JWDS2244-101	Dust Hood		1
2	JWDS2244-102	Socket Head Cap Screw	M6-1.0P x 16L	8
3	JWDS1632-103	Drum Carriage Hinge		2
4	40317-15	Spring Pin	3 x 14L mm	4
5	JWDS1632-105E	Locking Plate		1
6	TS-1534032	Phillips Pan Hd Machine Screw	M6 x 1.0P x 10L	1
7	JWDS2244-107	Abrasive	#80 Grit	1
8	F001753	Nylon Lock Hex Nut	M6 x 1.0P	1
9	F002636	Flat Washer	6 x 12 x 1T	3
10	PM2244-112	C-Retainer Ring Ext. (Re:17A)	STW-25	1
11	PM2244-114	C-Retainer Ring Int. (Re:17A)	RTW-52	2
12	JWDS1632-116	Outboard Bearing Housing (Re:17A)		1
13	JWDS1632-115	Flat Washer	6.5 x 19 x 3T mm	2
14	TS-2361061	Lock Washer	M6	8
15	TS-2246252	Socket Head Button Screw	M6-1.0P x 25L	2
16	PM2244-115	Ball Bearing (Re:17A)	6205VV	2
17	JWDS2244-117	Drum (Re:17A)		1
17A	JWDS2244-117A	Drum Assembly (includes #2, 10-18, 24-27)		1
18	JWDS1632-110	Inboard Bearing Housing (Re:17A)		1
19	JWDS2244-119	Drum Carriage (Re:17A)		1
20	TS-1504061	Socket Head Cap Screw	M8-1.25P x 30L	2
21	TS-1550061	Flat Washer	8.3 x 18 s 1.5T mm	2
22	TS-1505041	Socket Head Cap Screw	M10-1.5P x 30L	4
23	TS-1550071	Flat Washer	10.2 x 23 x 2T	8
24	JWDS1632-120	Key (Re:17A)	8 x 7 x 20L	1
25	PM2244-139	Rubber Cushion (Re:17A)		1
26	F010408	Socket Set Screw	M8-1.25P x 10L	2
27	PM2244-138	Coupling (Re:17A)		2
28	TS-1502011	Socket Head Cap Screw	M5-0.8P x 8L	1
29	PM2244-125	Compression Spring		4
30	TS-1550021	Flat Washer	4.2 x 8 x 0.8T	4
31	PM2244-131	Right Tension Roller Suspension Bracket		2
32	PM2244-128	Tension Roller Bracket		2
33	F010386L	Soc Set Screw CPP w/thrdlckr	M4-0.7P x 8L	4
34	JWDS1632-126	Phillips Round Head Screw	M4-0.7P x 25L	4
35	PM2244-130	Oilite Bushing		4
36	JWDS2244-136	Tension Roller		2
37	PM2244-132	Shoulder Screw		4
38	PM2244-129	Left Tension Roller Suspension Bracket		2
39	JWDS2244-139	Wave Washer	WW-6	4
40	TS-1482061	Hex Cap Screw	M6-1.0P x 30L	1
41	TS-2361081	Lock Washer	M8	4
42	TS-2248162	Socket Head Button Screw	M8-1.25P x 16L	2
43	TS-1550041	Flat Washer	6.5 x 19 x 2T	1
44	TS-1550031	Flat Washer	5 x 12 x 1T	1
45	JWDS1632-172	Knob		1
46	JWDS1632-173	Parallel Adjust Moving Bracket		1
47	JWDS1632-174	Oilite Washer		1
48	TS-2248202	Socket Head Button Screw	M8-1.25P x 20L	2
49	JWDS1632-175	Parallel Adjust Fixed Bracket		1
50	JWDS1632-166	Pointer		1
51	TS-1534032	Phillips Pan Hd Machine Screw	M6-1.0P x 10L	7
52	TS-1503031	Socket Head Cap Screw	M6-1.0P x 12L	2
53	JWDS2244-153	Flat Washer	6.4 x 16 x 1.6T	2
54	JWDS2244-154	Hose Hanger		1
55	JWDS1632-139	Phillips Round Head Screw	M5-0.8P x 8L	3
56	JWDS1632-138	Pointer		1

Index No	Part No	Description	Size	Qty
57	JWDS1632-146	Spring Pin	4 x 30L	1
58	JWDS2244-158	Height Adjusting Screw		1
59	JWDS2244-159E	Incremental Depth Scale		1
60	JWDS2244-160	Handle Assembly		1
61	TS-1523031	Socket Head Set Screw	M6-1.0P x 10L	1
62	JWDS2244-162	Crank		1
63	JWDS1632-143	Dial		1
64	JWDS1632-144	O-Ring	P11	1
65	JWDS1632-145	Collar		1
66	BB-51103	Thrust Bearing	17 x 30 x 9T	1
67	JWDS2244-167	Stud		4
68	JWDS2244-168E	Depth Scale		1
69	JWDS2244-169	Depth Scale Bracket (includes #68)		1
70	JWDS1632-196E	EMC Filter		2
71	JWDS2244-171	Base		1
72	JWDS2244-172	Self Tapping Screw	M4 x 20L	4
73	TS-2360121	Flat Washer	12 x 23 x 2T	4
74	TS-1492021	Hex Cap Screw	M12-1.75P x 30L	4
75	JWDS1632-188E	Cable Management	ACC-5-B	2
76	JWDS2244-176	Oilite Plate		4
77	JWDS2244-177	Strain Relief	MG20AS-10B-7	3
78	JWDS1632-153	Strain Relief	PG 13.5	1
79	JWDS2244-179	Motor Shroud		1
80	TS-1523031	Socket Head Set Screw	M6-1.0P x 10L	3
81	JWDS1632-148	Nylon Washer		1
82	JWDS1632-149	Collar		1
83	PM2244-184	PU Block		1
84	5302731	Socket Head Set Screw	M8-1.25P x 6L	1
85	JWDS2244-185	Motor Plate		1
86	JWDS1632-157	Oilite Washer		4
87	TS-1550061	Flat Washer	8.2 x 23 x 2T	4
88	TS-1541031	Nylon Lock Hex Nut	M8-1.25P	4
89	JWDS1836-154E	Motor	1.75HP, 230V, 50Hz	1
	JWDS1632-154SC	Starting Capacitor (not shown)	300MFD 125VAC	1
	JWDS1632-154SCC	Starting Capacitor Cover (not shown)		1
	JWDS1836-154RC	Running Capacitor (not shown)	50uF 250VAC	1
	JWDS1632-154FC	Fan Cover (not shown)		1
	JWDS1632-154CF	Cooling Fan (not shown)		1
90	F005430	Socket Head Cap Screw	M10-1.5P x 35L	4
91	PM2244-196	Knob		1
92	JWDS2244-192E	Control Panel		1
93	JWDS2244-193E	Switch		1
94	JWDS2244-194E	Potentiometer		1
95	JWDS2244-195E	Circuit Board	230V	1
96	TS-1533042	Phillips Pan Hd Machine Screw	M5-0.8P x 12L	4
97	JWDS2244-197E	Internal Connection Cable (Blue)	ST 16AWG x 1C x 15cm	1
98	JWDS2244-198E	Internal Connection Cable (Brown)	ST 16AWG x 1C x 15cm	1
99	TS-1531012	Phillips Pan Hd Machine Screw	M3-0.5P x 5L	8
100	TS-1540031	Hex Nut	M5-0.8P	2
101	F002097	Lock Washer, Ext. Tooth	M5	2
102	JWDS2244-1102	Circuit Board Holder		1
103	JWDS2244-1103E	Motor Cable		1
104	JWDS1632-190E	Power Cable		1
105	JWDS2244-1105E	Internal Connection Cable (Brown)	ST 16AWG x 1C x 10cm	1
106	JWDS2244-1106E	Internal Connection Cable (Brown)	ST 16AWG x 1C x 10cm	1
107	JWDS2244-1107E	Emergency Stop		1
108	JWDS2244-1108E	Ferrite Core for Potentiometer		1
109	JWDS2244-1109E	Ferrite Core for Belt Motor		1
110	JWDS2244-1110E	Cable Tie		1

Index No	Part No	Description	Size	Qty
.....	JWDS2244-1111E .....	Motor Label (not shown).....		1
.....	LM000343E.....	ID Label, JWDS-2550 (not shown) .....		1
.....	JET-113 .....	JET Logo (not shown).....	113x47mm .....	1
.....	JWDS1632-196E .....	Control Panel Label (not shown) .....		1
.....	JWDS1632-197E .....	Left Parallel Adjust Label (not shown).....		1
.....	JWDS1632-198E .....	Right Parallel Adjust Label (not shown).....		1
.....	LM000238E.....	Warning Label (not shown) .....		1

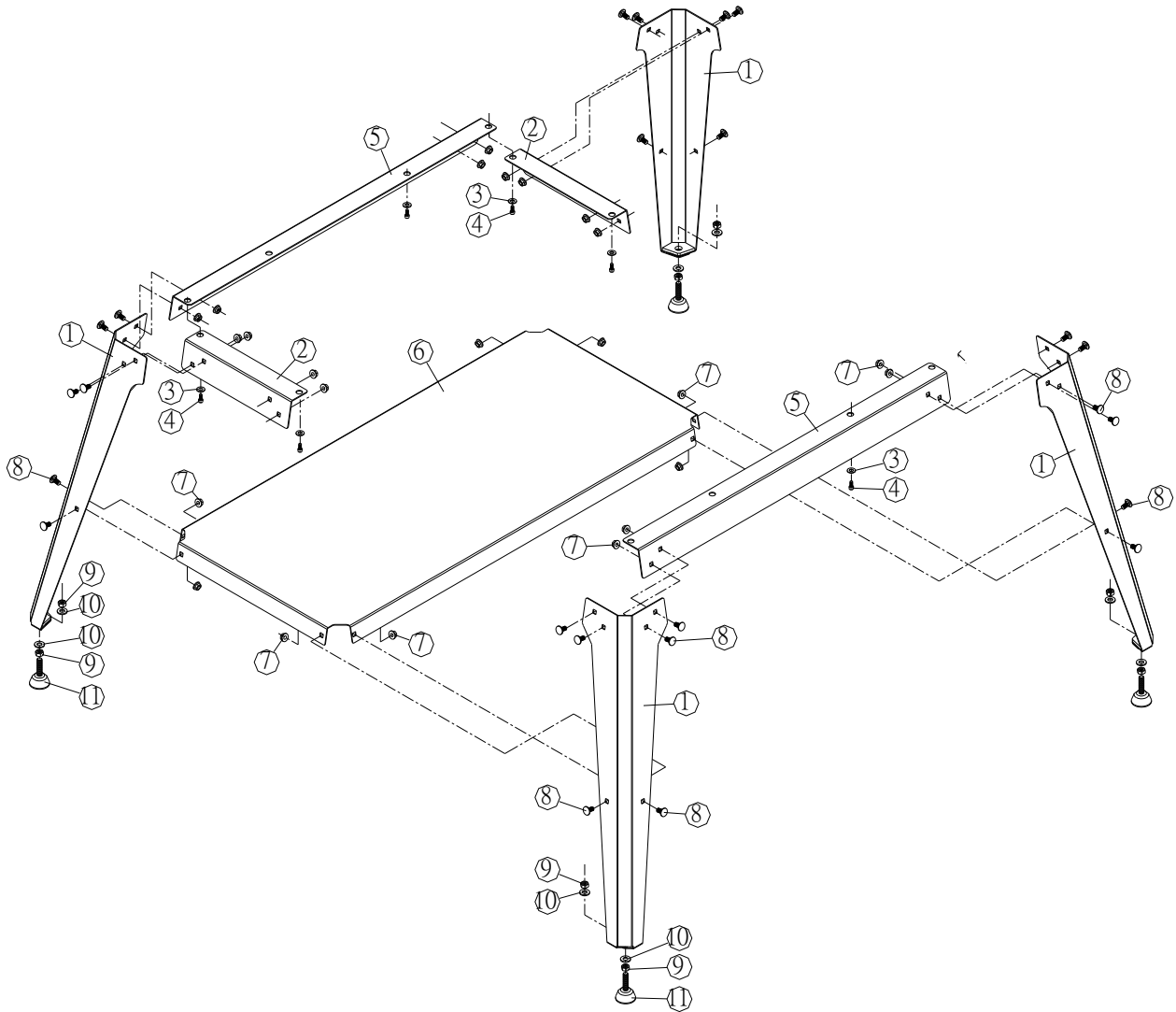
# JWDS-2244 Conveyor Table Assembly – Exploded View



## JWDS-2244 Conveyor Table Assembly – Parts List

Index No	Part No	Description	Size	Qty
1	JWDS2244-201E	Belt Motor	1/30HP 230V	1
2	F010839	Socket Head Flat Screw	#10 x 32UNC x 1/2IN L	4
3	F010985	Socket Head Flat Screw	M6-1.0P x 35L	2
4	JWDS1632-204	Belt Motor Plate		1
5	TS-1522011	Socket Head Set Screw	M5-0.8P x 5L	2
6	JWDS2244-206	Drive Roller		1
7	PM2244-130	Oilite Bushing		3
8	JWDS1632-208	Drive Roller Bracket		1
9	TS-2361061	Lock Washer	M6	8
10	TS-2246162	Socket Head Button Screw	M6-1.0P x 16L	2
11	TS-1521021	Socket Head Set Screw	M4-0.7P x 5L	2
12	JWDS2244-212	Conveyor Table		1
13	TS-1550041	Flat Washer	6.5 x 19 x 2T	2
14	JWDS2244-214	Wing Screw		2
15	PM2244-213	Tracker Kit (set of 2)		1
16	JWDS1632-217	Adjusting Rod Bracket		2
17	JWDS1632-218	Adjusting Rod		2
18	JWDS1632-219	Driven Roller Bracket		2
19	JWDS1632-220	E-Retaining Ring	ETW-7	2
20	TS-1503031	Socket Head Cap Screw	M6-1.0P x 12L	6
21	TS-1504021	Socket Head Cap Screw	M8-1.25P x 12L	2
22	TS-1550061	Flat Washer	8.5 x 19 x 2T	2
23	JWDS1632-224	Guide Plate		1
24	JWDS2244-224	Driven Roller		1
25	JWDS2244-225	Conveyor Belt		1
26	JWDS1632-227E	Conveyor Motor Label (not shown)		1
27	LM000236E	Caution Label – Table Lock (not shown)		1

## JWDS-2244 Open Stand Assembly – Exploded View

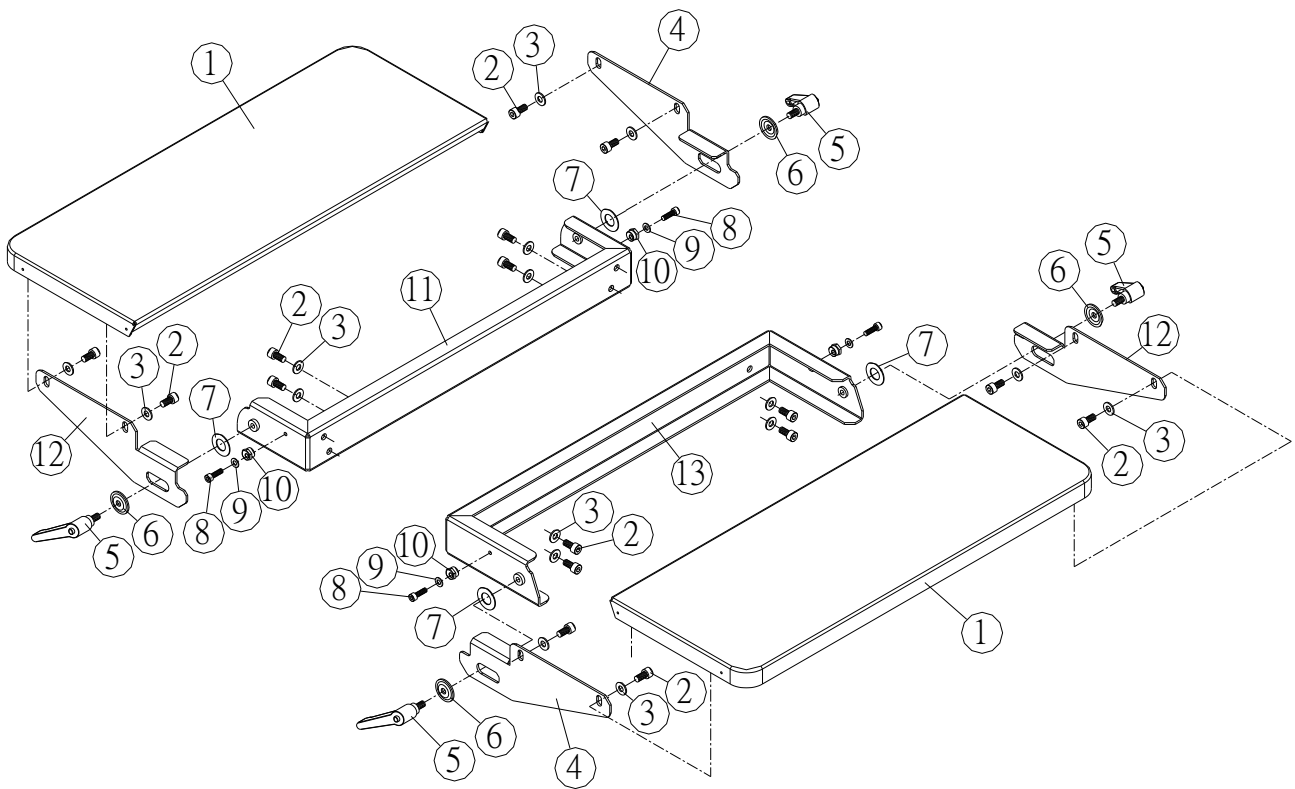


## JWDS-2244 Open Stand Assembly – Parts List

Index No	Part No	Description	Size	Qty
.....	7235400S	Open Stand Assembly for JWDS-2244 (includes #1-11)		1
1.....	JWDS1632-301	Leg		4
2.....	JWDS2244-302	Short Rail	11-3/4"L	2
3.....	TS-1550061	Flat Washer	8.3 x 18 x 1.5T mm	6
4.....	TS-1504031	Socket Head Cap Screw	M8-1.25P x 16L	6
5.....	JWDS2244-305	Long Rail	30-1/2"L	2
6.....	JWDS2244-306	Shelf		1
7.....	JWDS1632-307	Flange Lock Nut	M8-1.25P	24
8.....	JWDS1632-308	Carriage Bolt	M8-1.25P x 16L	24
9.....	TS-1540071	Hex Nut	M10-1.5P	8
10.....	TS-1550071	Flat Washer	10 x 20 x 2.0T mm	8
11.....	JWDS1632-311	Leveling Foot		4
.....	JWDS2244-320	Hardware Package, Open Stand (includes #7 thru 11)		4



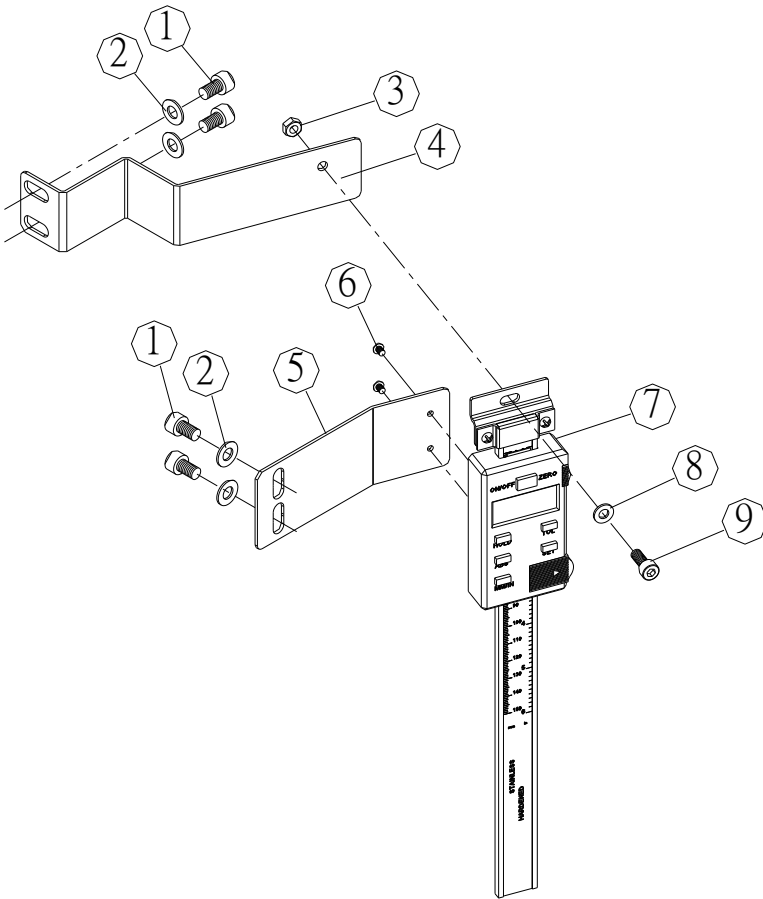
## JWDS-2244 Infeed and Outfeed Tables (OPTIONAL) – Exploded View



## JWDS-2244 Infeed and Outfeed Tables (OPTIONAL) – Parts List

Index No	Part No	Description	Size	Qty
.....	723541.....	Infeed/Outfeed Table Kit, JWDS-2244 (includes #1-13).....		1
1.....	JWDS2244-401 .....	Extension Table .....		2
2.....	TS-1504031.....	Socket Head Cap Screw .....	M8-1.25P x 16L .....	16
3.....	TS-1550061.....	Flat Washer .....	8.3 x 20 x 1.5T .....	16
4.....	JWDS2244-404 .....	Left Folding Table Bracket.....		2
5.....	JWDS2244-405 .....	Handle .....		4
6.....	JWDS2244-406 .....	Disc Washer.....		4
7.....	JWDS2244-407 .....	Oilite Washer.....		4
8.....	TS-1503051.....	Socket Head Cap Screw .....	M6-1.0P x 20L .....	4
9.....	TS-1550041.....	Flat Washer .....	6.3 x 13 x 2T.....	4
10.....	JWDS2244-410 .....	Eccentric Cam.....		4
11.....	JWDS2244-411 .....	Rear Fixed Bracket.....		1
12.....	JWDS2244-412 .....	Right Folding Table Bracket.....		2
13.....	JWDS2244-413 .....	Front Fixed Bracket .....		1

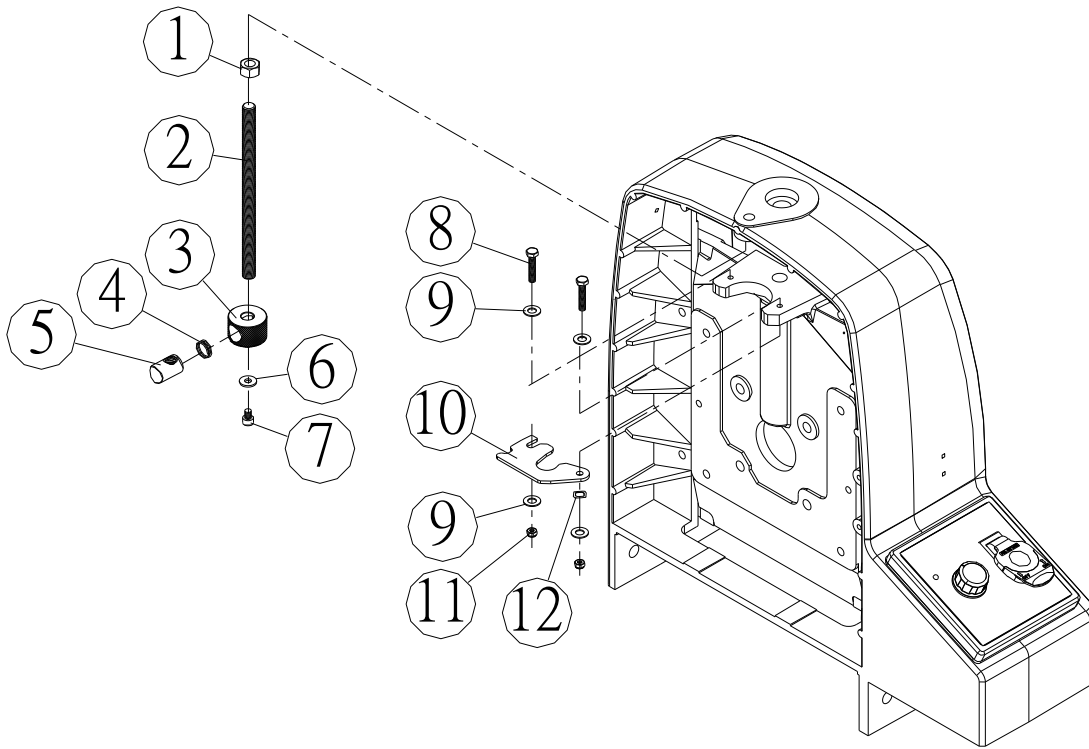
## JWDS-2244-M Digital Reading (OPTIONAL) – Exploded View



### JWDS-2244 Digital Reading (OPTIONAL) – Parts List

Index No	Part No	Description	Size	Qty
.....	723552.....	Drum Sander DRO Assembly (includes #1 thru 9).....	.....	.....
1.....	TS-1503021.....	Socket Head Cap Screw.....	M6-1.0P x 10L.....	4
2.....	TS-1550041.....	Flat Washer.....	6.5 x 13 x 1T.....	4
3.....	TS-1540031.....	Hex Nut.....	M5-0.8P.....	1
4.....	JWDS2244-504.....	Upper Bracket.....	.....	1
5.....	JWDS2244-505.....	Lower Bracket.....	.....	1
6.....	JWDS2244-506.....	Phillips Round Hd Machine Screw.....	M3-0.5P x 5L.....	2
7.....	JWDS2244-507.....	DRO.....	.....	1
8.....	TS-1550031.....	Flat Washer.....	5.1 x 10 x 1T.....	1
9.....	TS-1502031.....	Socket Head Cap Screw.....	M5-0.8P x 12L.....	1

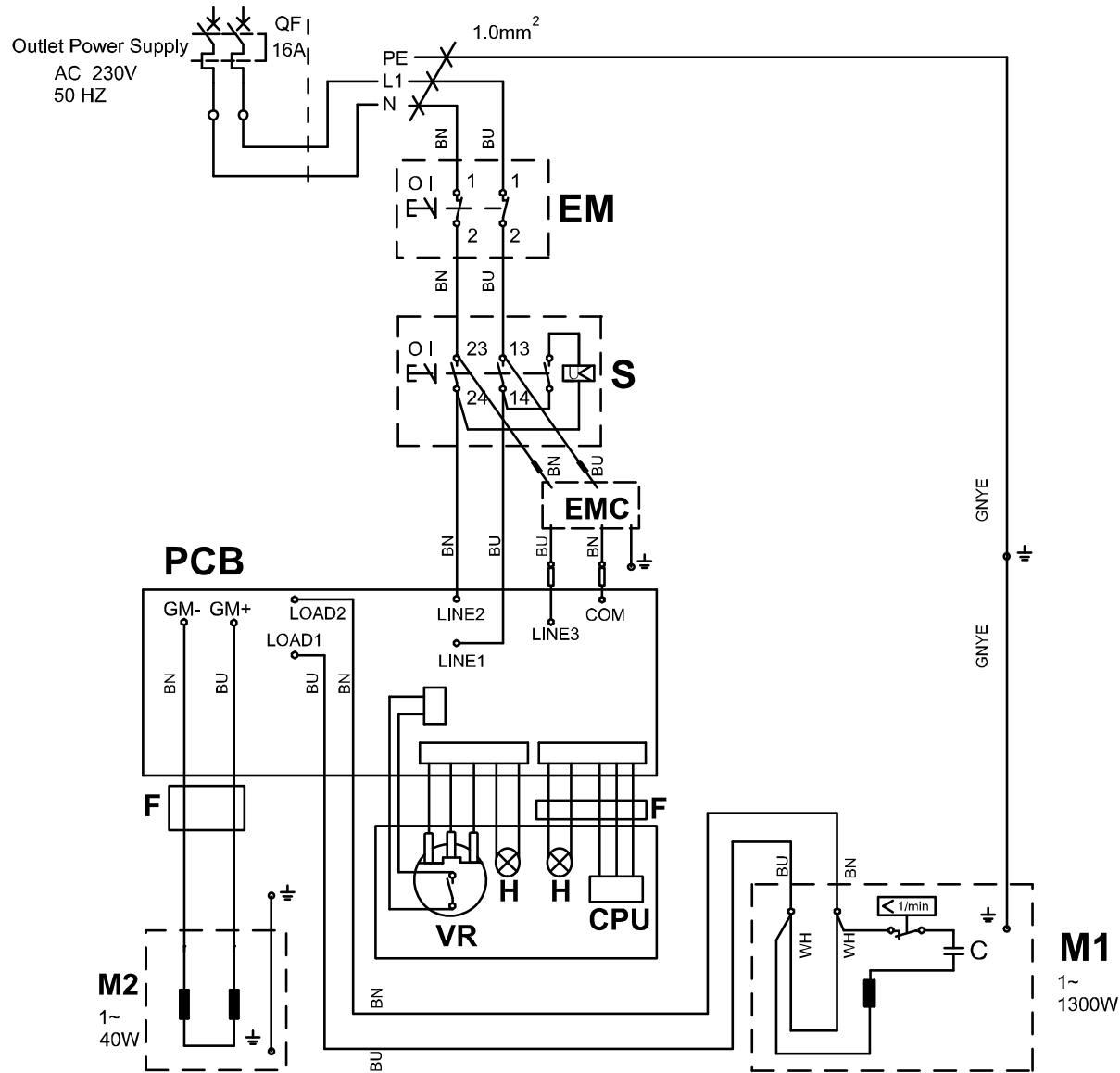
## JWDS-2244 Depth Stop Assembly (OPTIONAL) – Exploded View



### JWDS-2244 Depth Stop Assembly (OPTIONAL) – Part List

Index No	Part No	Description	Size	Qty
	723553	Depth Stop Assembly (#1 thru 12)		1
1	JWDS2244-601	Special Nut		1
2	JWDS2244-602	Threaded Post		1
3	JWDS2244-603	Stop Nut		1
4	JWDS2244-604	Compression Spring		1
5	JWDS2244-605	Half Nut		1
6	TS-1550031	Flat Washer	5.2 x 16 x 1.4T	1
7	TS-1502031	Socket Head Cap Screw	M5-0.8P x 12L	1
8	TS-1482051	Hex Cap Screw	M6-1.0P x 25L	2
9	TS-1550041	Flat Washer	6.4 x 16 x 1.6T	4
10	JWDS2244-610	Stop Plate		1
11	TS-1541021	Nylon Lock Hex Nut	M6-1.0P	2
12	JWDS2244-612	Wave Washer	WW-6	1

**JWDS-2244.....723540SKM.....1~230V, 50Hz**



	<b>colour of strands</b>	<b>Litzenfarben</b>	<b>couleur des cordons</b>
<b>BK</b>	<b>black</b>	<b>schwarz</b>	<b>noir</b>
<b>WH</b>	<b>white</b>	<b>weiß</b>	<b>blanc</b>
<b>BU</b>	<b>blue</b>	<b>blau</b>	<b>bleu</b>
<b>YE</b>	<b>yellow</b>	<b>gelb</b>	<b>jaune</b>
<b>RD</b>	<b>red</b>	<b>rot</b>	<b>rouge</b>
<b>BN</b>	<b>brown</b>	<b>braun</b>	<b>brun</b>
<b>GY</b>	<b>grey</b>	<b>grau</b>	<b>gris</b>
<b>GNYE</b>	<b>green-yellow</b>	<b>grün-gelb</b>	<b>vert-jaune</b>
<b>OG</b>	<b>orange</b>	<b>orange</b>	<b>orange</b>
<b>VT</b>	<b>violet</b>	<b>violett</b>	<b>violet</b>

	<b>meaning of symbol</b>	<b>bedeutung der zeichen</b>	<b>interprétation</b>
<b>M1</b>	<b>motor</b>	<b>motor</b>	<b>moteur</b>
<b>M2</b>	<b>motor</b>	<b>motor</b>	<b>moteur</b>
<b>S</b>	<b>switch</b>	<b>schalter</b>	<b>interrupteur</b>
<b>EM</b>	<b>e-stop</b>	<b>not-Aus Taster</b>	<b>d'urgence</b>
<b>C</b>	<b>condenser</b>	<b>kondensator</b>	<b>condensateur</b>
<b>VR</b>	<b>potentiometer</b>	<b>potentiometer</b>	<b>potentiomètre</b>
<b>EMC</b>	<b>filter</b>	<b>filter</b>	<b>filtre</b>
<b>PCB</b>	<b>circuit board</b>	<b>leiterplatte</b>	<b>carte circuit</b>
<b>H</b>	<b>indication light</b>	<b>anzeigelicht</b>	<b>la lumière d'indication</b>
<b>F</b>	<b>ferrite core</b>	<b>ferritkerne</b>	<b>noyau de ferrite</b>

**This page is intentionally blank**

**This page is intentionally blank**



JPW (Tool) AG  
Tämperlistrasse 5, CH-8117 Fällanden  
Schweiz | Suisse | Svizzera | Switzerland